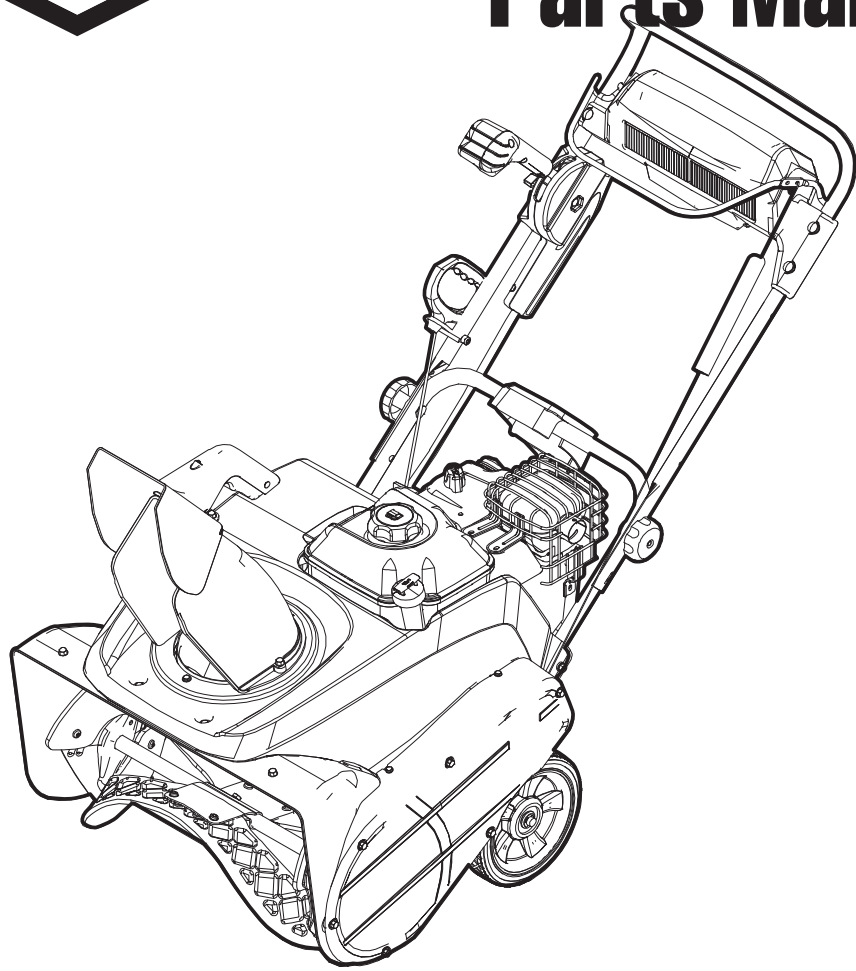




# Parts Manual



## 22" Single Stage Snowthrowers

### Models

Mfg. No.	Description
1696161-00	822S, B&S 8TP 22" Single Stage Snowthrower (2012)
1696162-00	922S, B&S 9TP 22" Single Stage Snowthrower (2012)
1696252-00	BSS822E, B&S 8TP 22" Single Stage Snowthrower (Export) (2012)

Manual Part No. 1755464

Revision -

Rev. Date: 6/7/2012

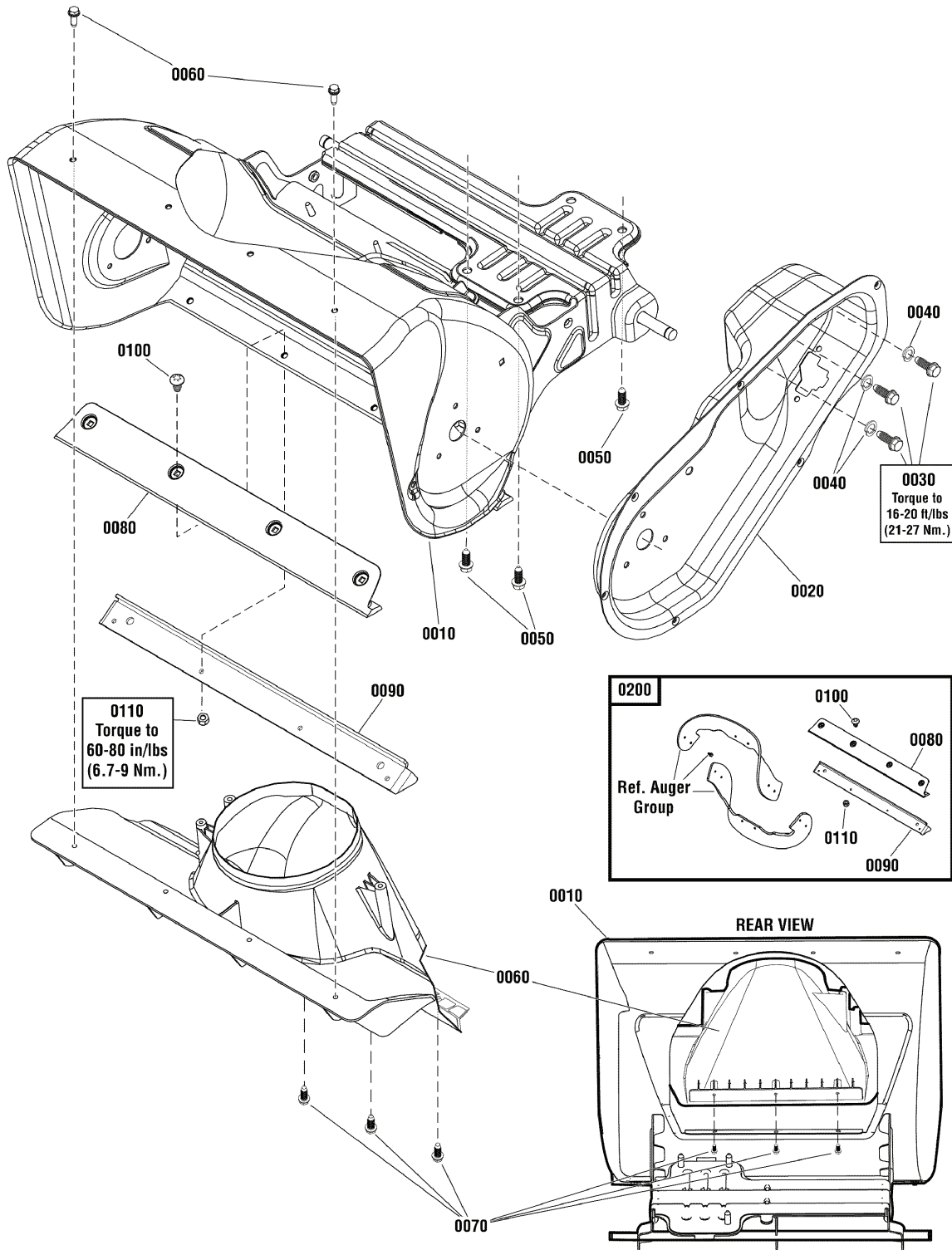


<b>PRODUCT COMPONENTS</b>	<b>PAGES</b>
Frame Group .....	4
Engine Group .....	6
Auger Drive Group .....	8
Handles & Controls Group - Remote .....	10
Wheel & Body Covering Group .....	12
Decals Group .....	14
Chute Rotation Group - Remote .....	16
Auger Group .....	18
Chute Group - Remote .....	20
Light Panel Group .....	22
<b>Torque Specification Chart .....</b>	<b>Inside Back Cover</b>

# Frame Group

NOTE: Unless noted otherwise,  
use the standard hardware torque  
specification chart.

2990433



The above parts group applies to the following Mfg. Nos.:

- 1696161-00 - 822S
- 1696162-00 - 922S
- 1696252-00 - BSS822E

## Frame Group

---

REF NO	PART NO.	QTY.	DESCRIPTION
0010	1739225BSYP	1	FRAME ASSEMBLY
0020	1739100BSYP	1	HOUSING, Drive
0030	1752876YP	3	CAPSCREW, Hex Head, 5/16-24 x 5/8
0040	1917356SM	3	WASHER, Lock, 5/16
0050	75246GS	3	SCREW, Hex Washer Head, Taptite, 3/8-16 x 1-1/4
0060	1739555YP	1	CHIMNEY
0070	7091081SM	5	SCREW, Hex Washer, Self Tapping, 1/4-15 x 3/4
0080	-----	1	SCRAPER BAR (Included with Ref. No. 0200)
0090	1752660AYP	1	SUPPORT, Scraper Blade (Included with Ref. No. 0200)
0100	5025299X5YP	4	SCREW, Allen Head, 1/4-20 x 5/8 (Included with Ref. No. 0200)
0110	1752935YP	4	NUT, Hex Lock, Nylon, 1/4-20 (Included with Ref. No. 0200)
0200	1687628YP	1	KIT, Scaper Bar & Flight (Includes Ref. Nos. 0080, 0090, 0100, 0110, Auger Flights & Hardware)

## Footnotes

---

**The above parts group applies to the following Mfg. Nos.:**

1696161-00 - 822S

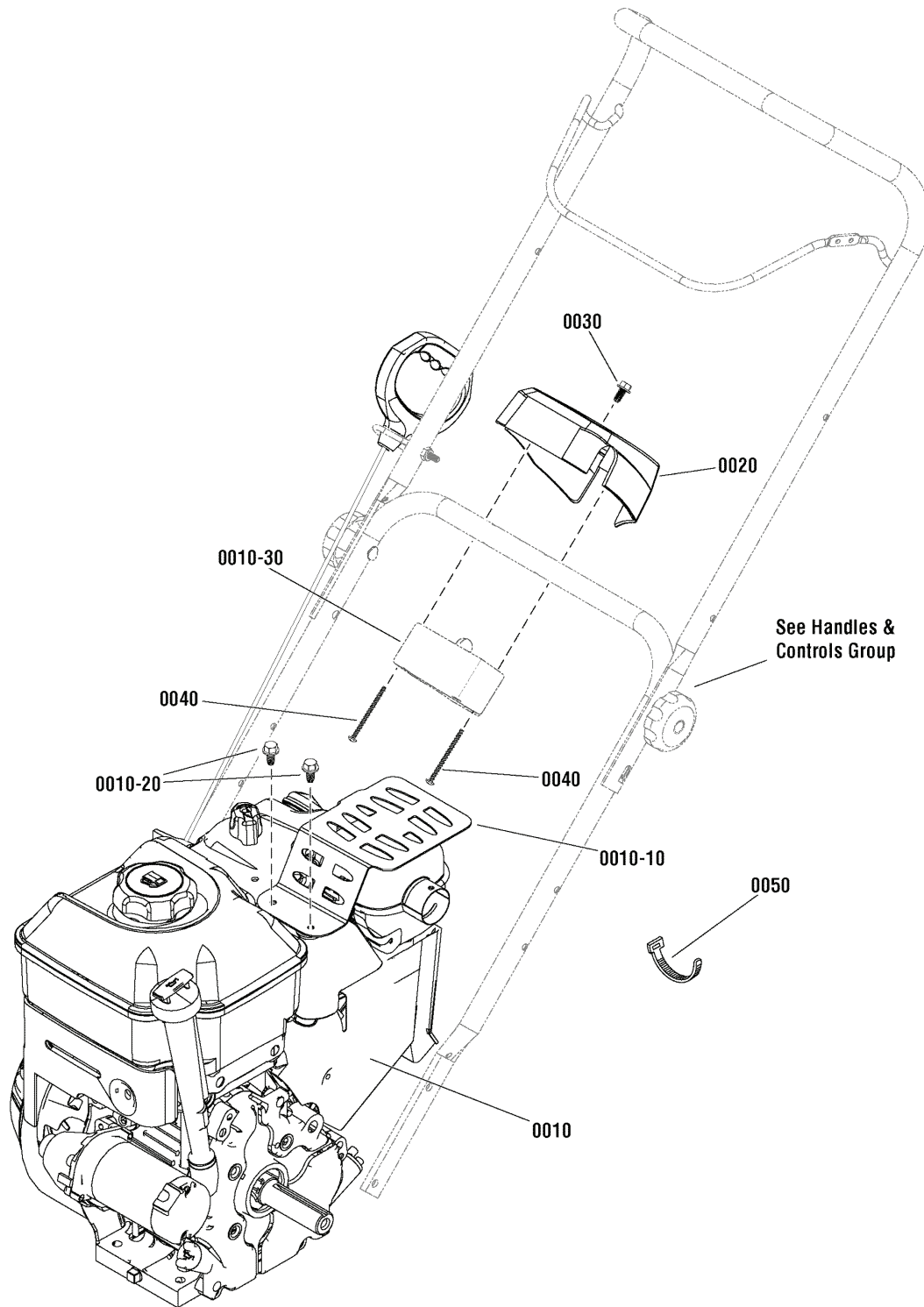
1696162-00 - 922S

1696252-00 - BSS822E

## Engine Group

NOTE: Unless noted otherwise,  
use the standard hardware torque  
specification chart.

2989129



The above parts group applies to the following Mfg. Nos.:

- 1696161-00 - 822S
- 1696162-00 - 922S
- 1696252-00 - BSS822E

## Engine Group

REF NO	PART NO.	QTY.	DESCRIPTION
0010	12A105-0157-F8	1	* ENGINE, 8TP Briggs & Stratton, North America (Engine Model: 12A105-0157-F8)
0010	12A107-0156-F8	1	* ENGINE, 8TP Briggs & Stratton, Export (Engine Model: 12A107-0156-F8)
0010	12D107-0162-F8	1	* ENGINE, 9TP Briggs & Stratton, North America (Engine Model: 12D107-0162-F8)
0010-10	797003	1	GUARD, Muffler, Plate (North America)
0010-10	799028	1	GUARD, Muffler, Wire (Export)
0010-20	699854	3	SCREW, Muffler Guard, Hex Washer Head
0010-30	-----	1	** STARTER, 110V (North America)
0010-30	-----	1	** STARTER, 230V (Export)
0020	1750032YP	1	HOUSING, Starter, 110V
0020	1750033YP	1	HOUSING, Starter, 230V, Export (Used on 1695252-00 Only)
0030	1750447YP	1	SCREW, Hex Washer Head, Trilob, 1/4-20 x 1/2
0040	1750593YP	2	SCREW, Pan Head Phillips, Plast., 8-16 x 2-1/8
0040	1750592YP	2	SCREW, Pan Head Phillips, Plast., 8-16 x 2-1/2 (Used on 1695252-00 Only)
0050	032618MA	4	STAP, Tie

### Footnotes

Note\* To verify your specific engine model, please reference the ID Tag located on your engine. See your local Briggs & Stratton distributor for parts and service.

---

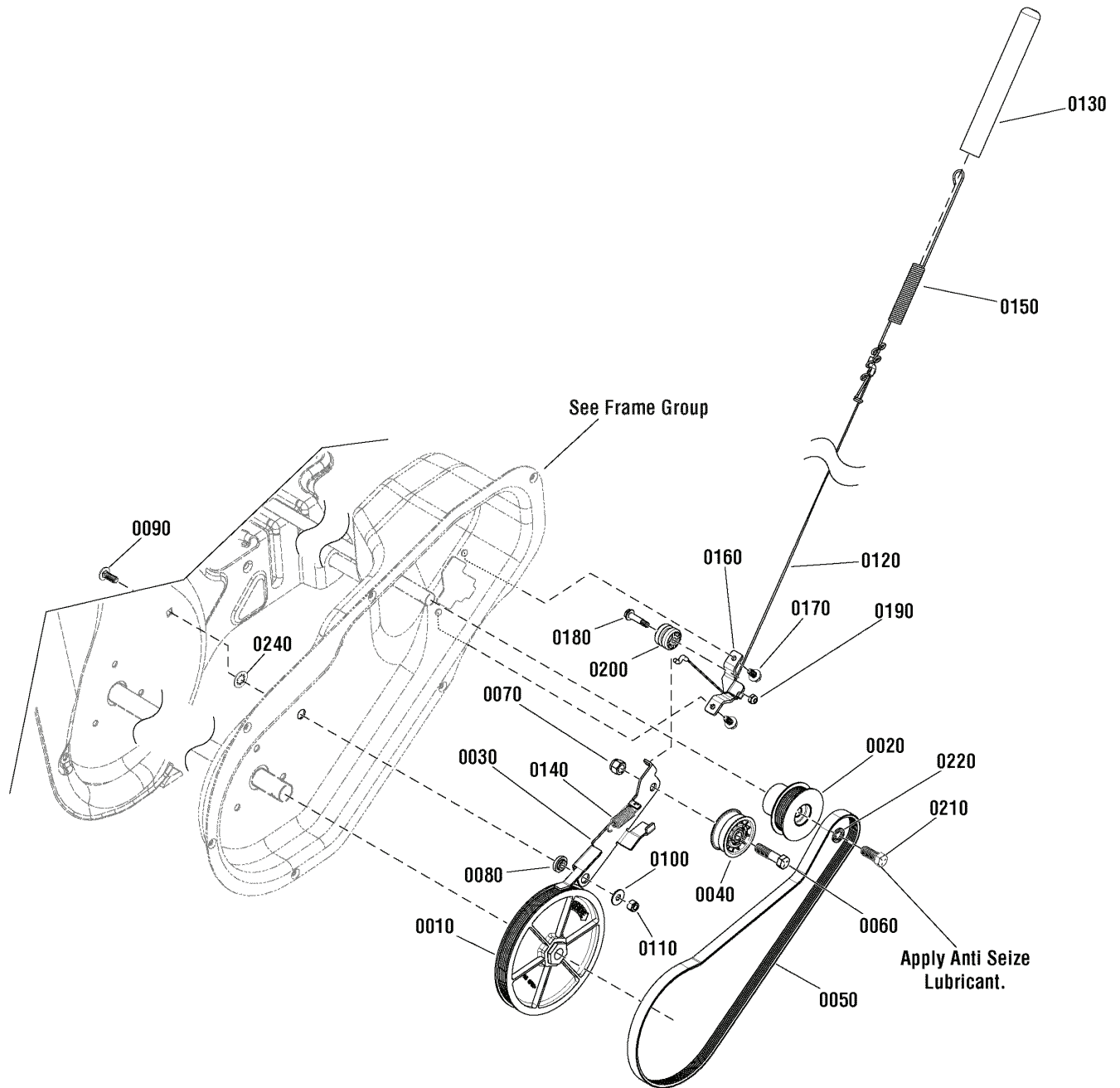
#### The above parts group applies to the following Mfg. Nos.:

1696161-00 - 822S  
1696162-00 - 922S  
1696252-00 - BSS822E

## Auger Drive Group

NOTE: Unless noted otherwise,  
use the standard hardware torque  
specification chart.

2988894



The above parts group applies to the following Mfg. Nos.:

1696161-00 - 822S

1696162-00 - 922S

1696252-00 - BSS822E



## Auger Drive Group

REF NO	PART NO.	QTY.	DESCRIPTION
0010	1739730YP	1	PULLEY, Driven
0020	1739179YP	1	PULLEY, Driver
0030	1739526YP	1	ARM, Idler, Drive
0040	1502120MA	1	IDLER, Plastic Ball Bearing
0050	1739338YP	1	BELT, Drive
0060	01X111MA	1	CAPSCREW, Hex Head, 3/8-16 x 1-1/2
0070	7091299SM	1	NUT, Nylock, 3/8
0080	1739709YP	1	SPACER, Idler Arm
0090	1931318SM	1	BOLT, Carriage, Short Neck, 1/4-20 x 7/8 G5
0100	7091253YP	1	WASHER, Flat, .281 X 3/4 x 1/2
0110	7091603SM	1	NUT, Nylock, 1/4
0120	1502113MA	1	CABLE, Handle
0130	1739935YP	1	BOOT, Clutch Spring
0140	1750226YP	1	SPRING, Idler
0150	1750315YP	1	SPRING, Extension
0160	1750329YP	1	BRACKET, Cable Guide
0170	1750447YP	2	SCREW, Hex Washer Head, Trilob, 1/4-20 x 1/2
0180	1750594YP	1	CAPSCREW, Hex Shoulder, 1/4 x 3/4
0190	7090376YP	1	NUT, Locking, #10
0200	579860MA	1	SPOOL CABLE, Auger Control
0210	001X20MA	1	CAPSCREW, Hex Head, 3/8-24 x 1
0220	22237GS	1	WASHER, Locking, 3/8
0240	1960518SM	1	NUT, Push, 1/4

## Footnotes

---

**The above parts group applies to the following Mfg. Nos.:**

1696161-00 - 822S

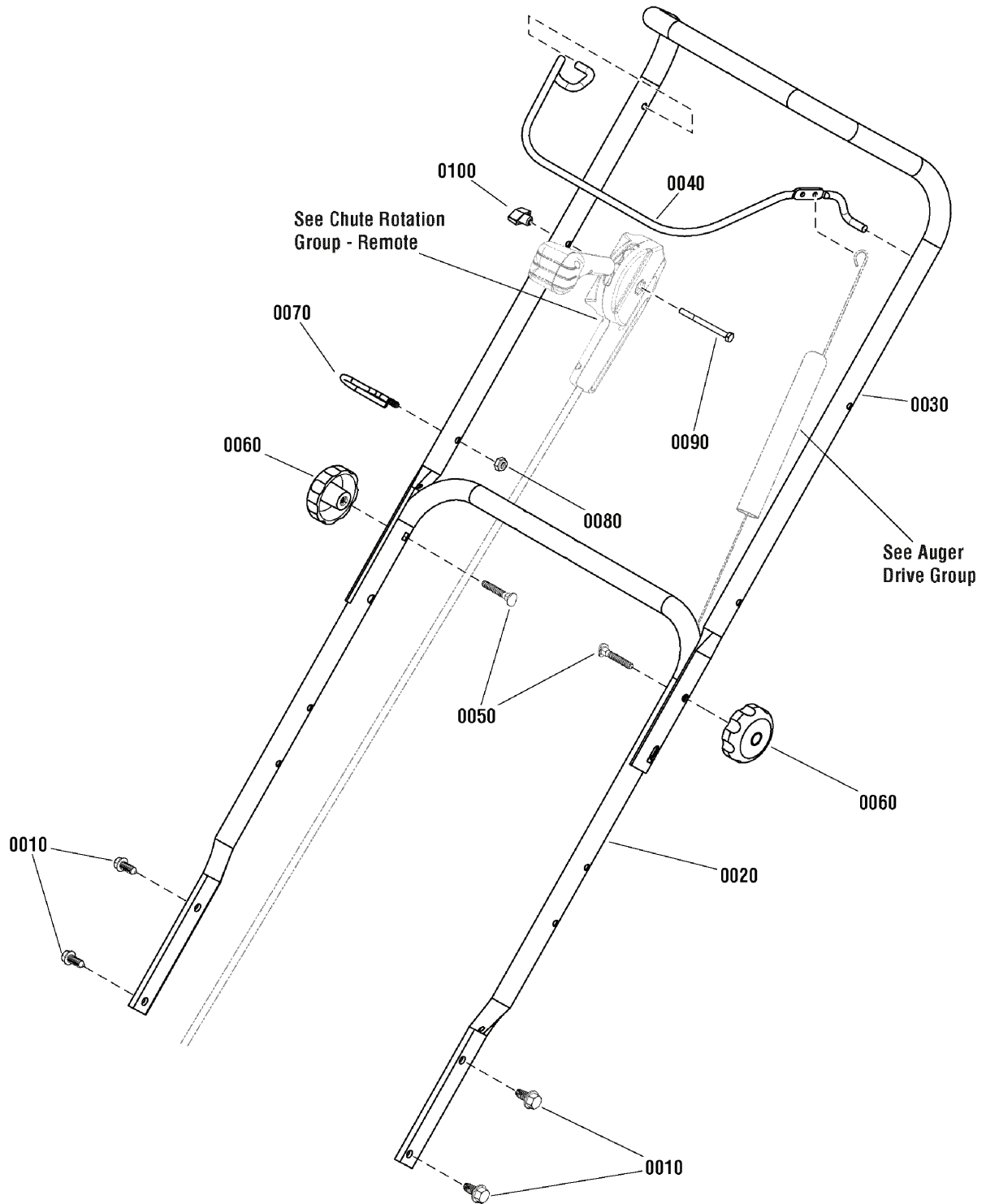
1696162-00 - 922S

1696252-00 - BSS822E

## Handles & Controls Group - Remote

NOTE: Unless noted otherwise,  
use the standard hardware torque  
specification chart.

2988896



The above parts group applies to the following Mfg. Nos.:

- 1696161-00 - 822S
- 1696162-00 - 922S
- 1696252-00 - BSS822E

## **Handles & Controls Group - Remote**

---

<b>REF NO</b>	<b>PART NO.</b>	<b>QTY.</b>	<b>DESCRIPTION</b>
0010	1930601SM	4	SCREW, Hex Washer Head, Taptite, 5/16-18 x 5/8
0020	1739362AYP	1	HANDLEBAR, Lower
0030	1751172AYP	1	HANDLEBAR, Upper
0040	1739361BNYP	1	BAIL, Engine Stop, Red
0040	1739361AYP	1	BAIL, Engine Stop, Black
0050	7091189YP	2	BOLT, Carriage, Curved Head, 5/16 x 2, G2
0060	7105085YP	2	KNOB, Handle, 5/16-18
0070	1739389YP	1	GUIDE, Rope
0080	1920397SM	1	NUT, Nylock, 1/4
0090	7091317YP	1	CAPSCREW, Hex Head, 1/4-20 x 3, G5
0100	194289GS	1	KNOB, Handle

### **Footnotes**

---

**The above parts group applies to the following Mfg. Nos.:**

1696161-00 - 822S

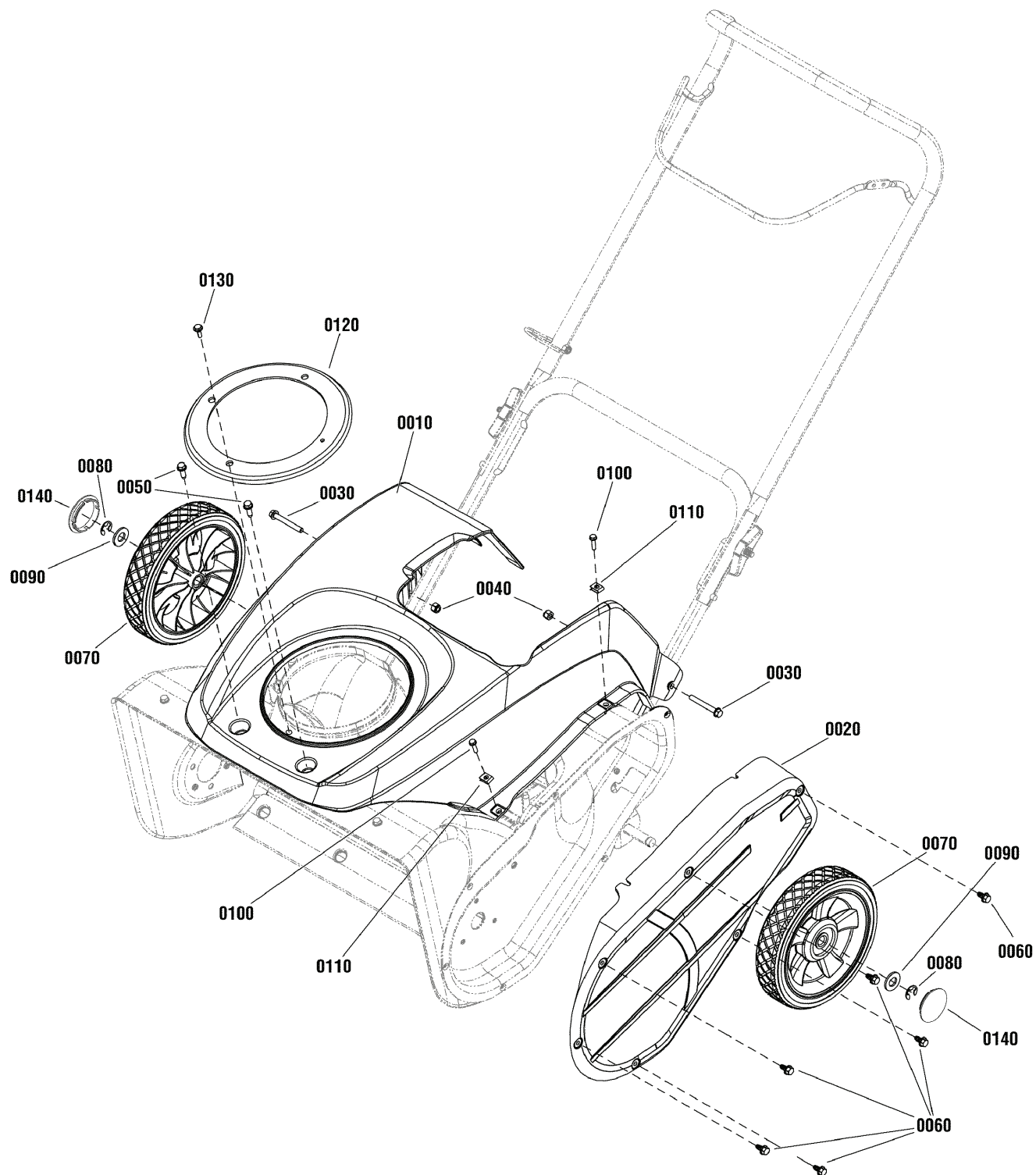
1696162-00 - 922S

1696252-00 - BSS822E

## Wheel & Body Covering Group

NOTE: Unless noted otherwise,  
use the standard hardware torque  
specification chart.

2990434



The above parts group applies to the following Mfg. Nos.:

- 1696161-00 - 822S
- 1696162-00 - 922S
- 1696252-00 - BSS822E

## **Wheel & Body Covering Group**

---

<b>REF NO</b>	<b>PART NO.</b>	<b>QTY.</b>	<b>DESCRIPTION</b>
0010	1754520YP	1	COVER, Top
0020	1739599YP	1	COVER, Drive Case
0030	1750777YP	2	CAPSCREW, Hex Washer Head, 1/4 x 20 x 2
0040	7091603SM	2	NUT, Nylock, 1/4
0050	7091081SM	2	SCREW, Hex Washer Head, 1/4-15 x 3/4
0060	1750447YP	6	SCREW, Hex Washer Head, Trilob, 1/4-20 x 1/2
0070	311237YP	2	WHEEL, 2 x 8, Plastic, 1/2
0080	192050GS	2	E-RING, Axle, 1/2
0090	7025074SM	2	WASHER, Flat, 17/32 x 5/8
0100	1750638YP	2	CAPSCREW, Hex Washer Head, 10-24 x 3/4
0110	885118YP	2	NUT, U-Style Speed, #10
0120	1739752YP	1	COVER, Chute
0130	316042MA	1	SCREW, Hex Washer Head, #10-HL x 5/8
0140	1751540YP	2	HUBCAP

### **Footnotes**

---

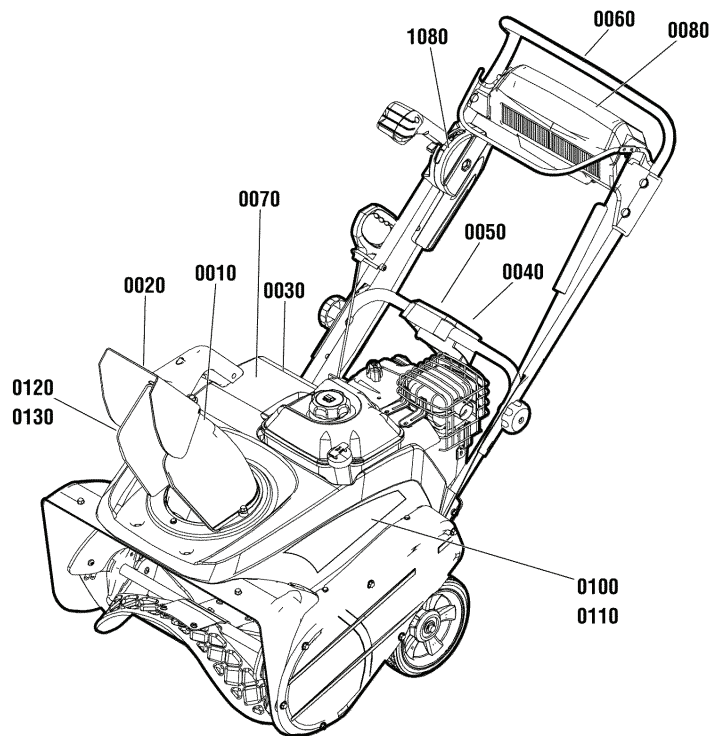
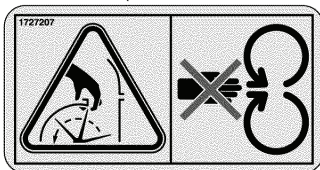
**The above parts group applies to the following Mfg. Nos.:**

1696161-00 - 822S  
1696162-00 - 922S  
1696252-00 - BSS822E

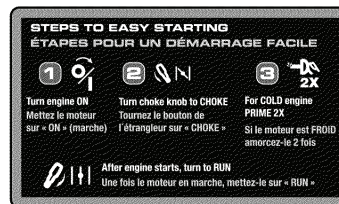
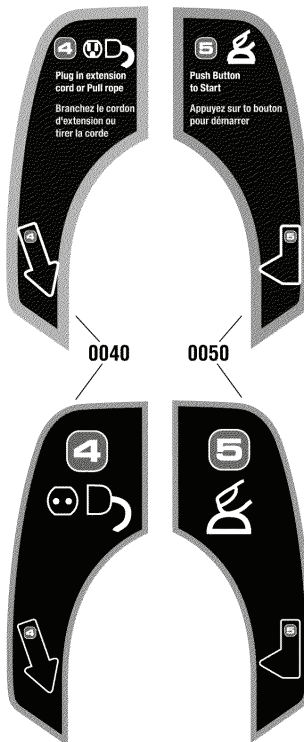
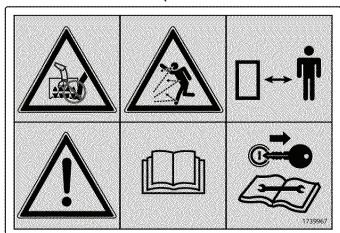
NOTE: Unless noted otherwise, use the standard hardware torque specification chart.



0020



0010



0030



0060

The above parts group applies to the following Mfg. Nos.:

- 1696161-00 - 822S
- 1696162-00 - 922S
- 1696252-00 - BSS822E

## ***Decals Group***

---

<b>REF NO</b>	<b>PART NO.</b>	<b>QTY.</b>	<b>DESCRIPTION</b>
0010	1739966YP	1	DECAL, Chute, FR/ENG
0010	1739967YP	1	DECAL, Chute, No Text (Export Only)
0020	1737865YP	1	DECAL, Danger, Chute, FR/ENG
0020	1727207SM	1	DECAL, Danger, Chute, No Text (Export Only)
0030	1739970YP	1	DECAL, Step 1-2-3
0030	1739971YP	1	DECAL, Step 1-2-3, No Text (Export Only)
0040	1750734YP	1	DECAL, 4 Start, FR/ENG
0040	1750735YP	1	DECAL, 4 Start, No Text (Export Only)
0050	1750736YP	1	DECAL, 5 Start, FR/ENG
0050	1750737YP	1	DECAL, 5 Start, No Text (Export Only)
0060	1739977YP	1	DECAL, Bail Engagement
0070	1754960YP	1	DECAL, Top Cover, 822S
0070	1754513YP	1	DECAL, Top Cover, 922S
0070	1754959YP	1	DECAL, Top Cover, 822E
0080	1754514YP	1	DECAL, Light Bar
0100	1752750YP	1	DECAL, Briggs & Stratton, LH
0110	1752751YP	1	DECAL, Briggs & Stratton, RH
0120	1750658YP	1	DECAL, Logo, Chute, RH
0130	1750657YP	1	DECAL, Logo, Chute, LH
1080	1739976YP	1	DECAL, Chute Rotation

## **Footnotes**

---

**The above parts group applies to the following Mfg. Nos.:**

1696161-00 - 822S

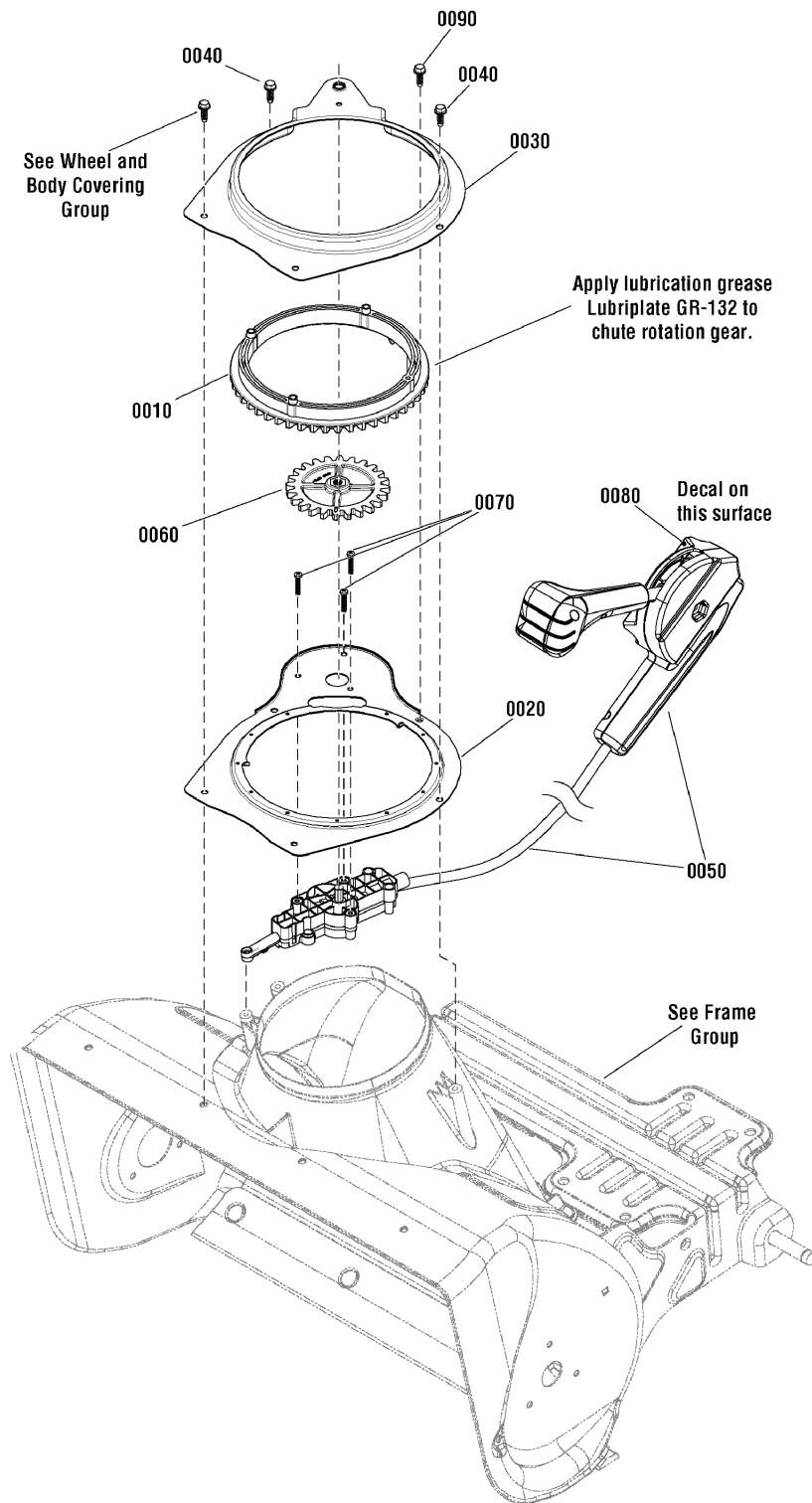
1696162-00 - 922S

1696252-00 - BSS822E

## Chute Rotation Group - Remote

2988904

NOTE: Unless noted otherwise,  
use the standard hardware torque  
specification chart.



The above parts group applies to the following Mfg. Nos.:

1696161-00 - 822S

1696162-00 - 922S

1696252-00 - BSS822E



## **Chute Rotation Group - Remote**

---

<b>REF NO</b>	<b>PART NO.</b>	<b>QTY.</b>	<b>DESCRIPTION</b>
0010	1739123YP	1	GEAR, Chute Rotation
0020	1739364YP	1	PLATE, Chute Mounting
0030	1739365YP	1	RETAINER, Chute Gear
0040	7091081SM	2	SCREW, Hi-Low, 1/4-15 x 3/4
0050	1739754YP	1	CHUTE ROTATION ASSEMBLY, Remote
0060	1738955YP	1	GEAR, Chute Rotation
0070	7100225YP	4	SCREW, Phillips Pan, Plastite, 8-16 x 1
0080	1739976YP	1	DECAL, Chute Rotation
0090	1750447YP	1	SCREW, Hex Washer Head, Trilob, 1/4-20 x 1/2

### **Footnotes**

---

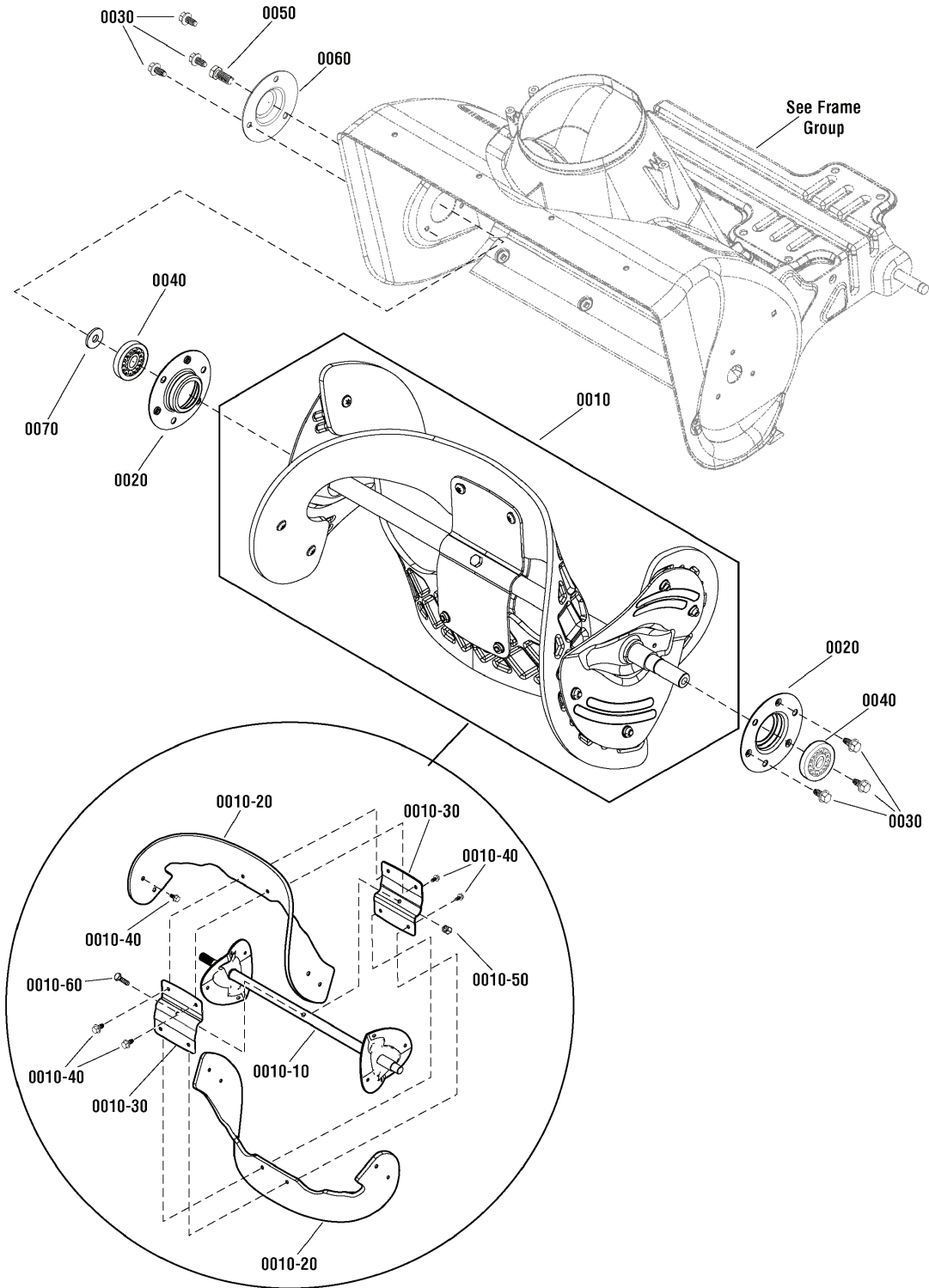
**The above parts group applies to the following Mfg. Nos.:**

1696161-00 - 822S  
1696162-00 - 922S  
1696252-00 - BSS822E

# Auger Group

NOTE: Unless noted otherwise,  
use the standard hardware torque  
specification chart.

2988895



The above parts group applies to the following Mfg. Nos.:

- 1696161-00 - 822S
- 1696162-00 - 922S
- 1696252-00 - BSS822E

## Auger Group

REF NO	PART NO.	QTY.	DESCRIPTION
0010	1739724AYP	1	AUGER ASSEMBLY, Complete (Incl. Ref. Nos. 0010-10, 0010-20, 0010-30, 0010-40, 0010-50 & 0010-60)
0010-10	-----	1	* AUGER SHAFT ASSEMBLY
0010-20	-----	2	** FLIGHT, Auger (Included with Ref. No. 0500)
0010-30	-----	2	* PLATE, Auger, Center
0010-40	7090999SM	12	SCREW, Pan Head Torx 1/4 x 5/8 (Included with Ref. No. 0500)
0010-50	7091603SM	1	NUT, Nylock, 1/4-20
0010-60	51374YP	1	CAPSCREW, Hex Head, 1/4-20 x 1-1/2, G5
0020	1739228YP	2	RETAINER, Bearing
0030	1750447YP	6	SCREW, Hex Washer Head, Trilob, 1/4-20 x 1/2
0040	1705897SM	2	BEARING, Ball, 11/16 x 1-9/16 x 15/32
0050	22142GS	1	CAPSCREW, Hex Head, 5/16-18 x 3/4
0060	1739229AYP	1	CAP, Bearing
0070	7900022YP	1	WASHER, Flat, 7/8 x 21/64
0500	1687489YP	1	KIT, Auger Flight (Incl. Ref. Nos. 0010-20 & 0010-40)

### Footnotes

\* Not a servicable part, order complete Auger Assembly.

\*\* Not a servicable part, order Auger Flight Kit.

---

### The above parts group applies to the following Mfg. Nos.:

1696161-00 - 822S

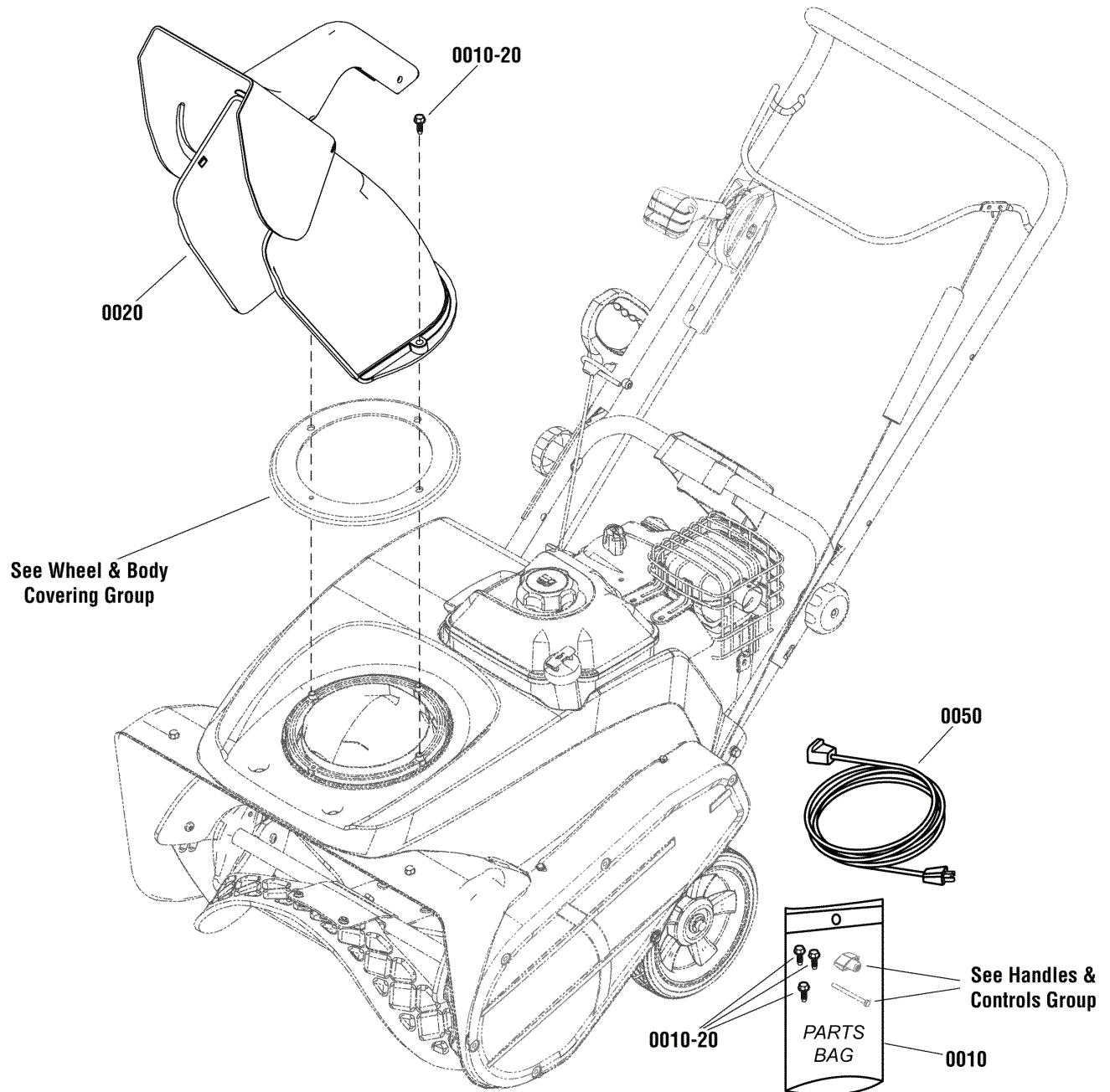
1696162-00 - 922S

1696252-00 - BSS822E

## Chute Group - Remote

NOTE: Unless noted otherwise,  
use the standard hardware torque  
specification chart.

2989492



The above parts group applies to the following Mfg. Nos.:

1696161-00 - 822S

1696162-00 - 922S

1696252-00 - BSS822E

## **Chute Group - Remote**

---

<b>REF NO</b>	<b>PART NO.</b>	<b>QTY.</b>	<b>DESCRIPTION</b>
0010	1751006YP	1	PARTS BAG
0010-20	1751399YP	3	SCREW, Hex Washer Head, HI-LO, 1/4-15 x 1-1/4
0020	1739522YP	1	CHUTE ASSEMBLY
0050	6219MA	1	CORD, Electric (North American models only)

## **Footnotes**

---

**The above parts group applies to the following Mfg. Nos.:**

1696161-00 - 822S

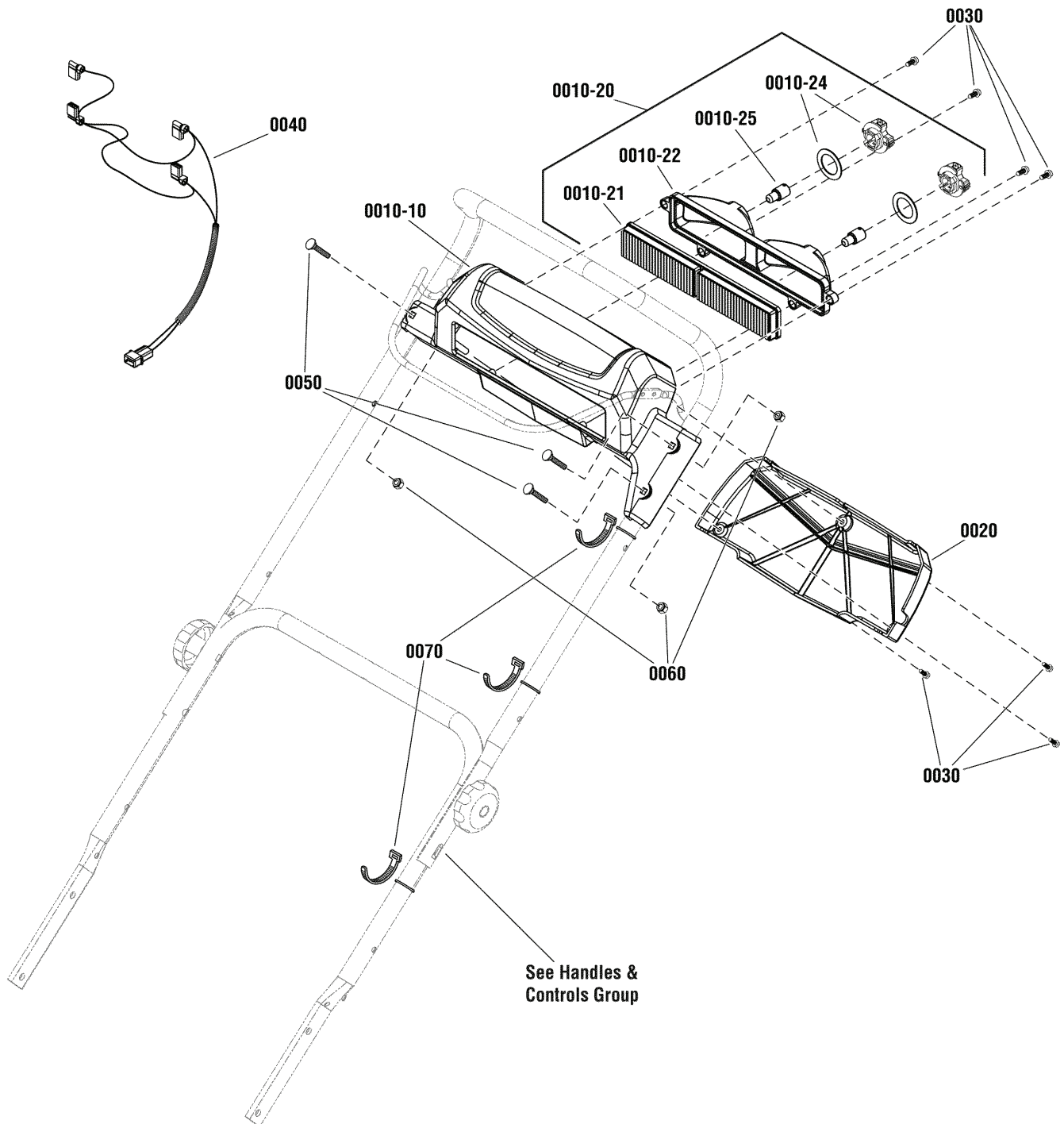
1696162-00 - 922S

1696252-00 - BSS822E

## Light Panel Group

NOTE: Unless noted otherwise,  
use the standard hardware torque  
specification chart.

2990439



The above parts group applies to the following Mfg. Nos.:

1696162-00 - 922S

1696252-00 - BSS822E

## Light Panel Group

---

REF NO	PART NO.	QTY.	DESCRIPTION
0010-10	1754563YP	1	PANEL
0010-20	1736176YP	1	HEADLIGHT ASSEMBLY (Includes Ref. Nos. 0011-10, 0011-20, 0011-30, 0011-40 & 0011-50)
0010-21	1736177YP	1	LENS, Twin Light
0010-22	1736178YP	1	DEFLECTOR
0010-24	1736180YP	2	SOCKET & GASKET ASSEMBLY, Headlight
0010-25	1736181YP	2	BULB, HEADLIGHT 12V 15W (1156)
0020	1750875YP	1	COVER, Light Panel
0030	7091105YP	7	SCREW, Hex Washer Head, #10-16 x 1/2
0040	1738286YP	1	WIRING HARNESS, Headlight
0050	80003564	3	BOLT, 1/4-20 X 1-1/2, G5
0060	80002730	3	NUT, Nylock, 1/4-20
0070	7024649	4	WIRE TIE, 11

## Footnotes

---

**The above parts group applies to the following Mfg. Nos.:**

1696162-00 - 922S

1696252-00 - BSS822E





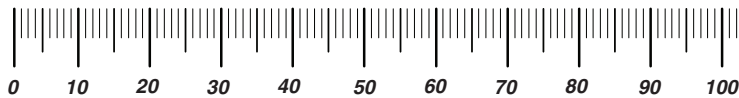




# Hardware Identification & Torque Specifications

Torque Specification Chart								
FOR STANDARD METRIC MACHINE HARDWARE (Tolerance ± 20%)								
Property Class	5.6 Class 5.6		8.8 Class 8.8		10.9 Class 10.9		12.9 Class 12.9	
	in/lbs ft/lbs	Nm.	in/lbs ft/lbs	Nm.	in/lbs ft/lbs	Nm.	in/lbs ft/lbs	Nm.
M3	5.88	.56	13.44	1.28	19.2	1.80	22.92	2.15
M4	13.44	1.28	30.72	2.90	43.44	4.10	52.56	4.95
M5	26.4	2.50	60.96	5.75	5.97	8.10	7.15	9.7
M6	44.64	4.3	7.3	9.9	10.3	14	12.1	16.5
M7	5.2	7.1	12.1	16.5	16.9	23	19.9	27
M8	7.7	10.5	17.7	24	25	34	29	40
M10	15	21	35	48	50	67	59	81
M12	26	36	61	83	86.2	117	103	140
M14	42	58	101	132	136	185	162	220
M16	64	88	147	200	210	285	250	340
M18	89	121	202	275	287	390	346	470
M20	126	171	290	390	405	550	486	660
M22	169	230	390	530	559	745	656	890
M24	217	295	497	375	708	960	840	1140
M27	320	435	733	995	1032	1400	1239	1680
M30	435	590	995	1350	1401	1900	1681	2280
M33	590	800	1349	1830	1902	2580	2278	3090
M36	759	1030	1740	2360	2441	3310	2935	3980
M39	988	1340	2249	3050	3163	4290	3798	5150

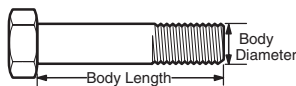
The guides and ruler furnished below are designed to help you select the appropriate hardware.



Nut, M8

Thread Diameter (mm)  
Inside Diameter (in)  
Threads per inch

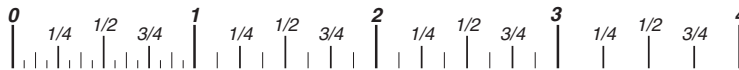
Nut, 1/2-16



Screw, M8- 1.25 x 25

Thread Diameter (mm)  
Body Diameter  
Distance between threads (mm)  
Threads per inch  
Body Length (mm)  
Body Length (in)

Screw, 1/2- 16 x 2



## Standard Hardware Sizing

When a washer or nut is identified as 1/2" (M8), this is the *Nominal size*, meaning the *inside diameter* is 1/2 inch (8mm metric thread diameter); if a second number is present it represents the *threads per inch* (distance between threads).

When bolt or capscrew is identified as 1/2 - 16 x 2" (M8 - 1.25 x 50 ), this means the *Nominal size*, or body diameter is 1/2 inch (8mm metric thread diameter), the second number, 16, represents the *threads per inch*, (1.25 thread diameter). The final number is the body length of the bolt or screw, 2 inches (50mm).

Torque Specification Chart						
FOR STANDARD MACHINE HARDWARE (Tolerance ± 20%)						
Hardware Grade	No Marks SAE Grade 2		SAE Grade 5		SAE Grade 8	
	in/lbs ft/lbs	Nm.	in/lbs ft/lbs	Nm.	in/lbs ft/lbs	Nm.
8-32	19	2.1	30	3.4	41	4.6
8-36	20	2.3	31	3.5	43	4.9
10-24	27	3.1	43	4.9	60	6.8
10-32	31	3.5	49	5.5	68	7.7
1/4-20	66	7.6	8	10.9	12	16.3
1/4-28	76	8.6	10	13.6	14	19.0
5/16-18	11	15.0	17	23.1	25	34.0
5/16-24	12	16.3	19	25.8	29	34.0
3/8-16	20	27.2	30	40.8	45	61.2
3/8-24	23	31.3	35	47.6	50	68.0
7/16-14	30	40.8	50	68.0	70	95.2
7/16-20	35	47.6	55	74.8	80	108.8
1/2-13	50	68.0	75	102.0	110	149.6
1/2-20	55	74.8	90	122.4	120	163.2
9/16-12	65	88.4	110	149.6	150	204.0
9/16-18	75	102.0	120	163.2	170	231.2
5/8-11	90	122.4	150	204.0	220	299.2
5/8-18	100	136	180	244.8	240	326.4
3/4-10	160	217.6	260	353.6	386	525.0
3/4-16	180	244.8	300	408.0	420	571.2
7/8-9	140	190.4	400	544.0	600	816.0
7/8-14	155	210.8	440	598.4	660	897.6
1-8	220	299.2	580	788.8	900	1,244.0
1-12	240	326.4	640	870.4	1,000	1,360.0

## NOTES

- These torque values are to be used for all hardware excluding: locknuts, self-tapping screws, thread forming screws, sheet metal screws and socket head setscrews.
- Recommended seating torque values for locknuts:
  - for prevailing torque locknuts - use 65% of grade 5 torques.
  - for flange whizlock nuts and screws - use 135% of grade 5 torques.
- Unless otherwise noted on assembly drawings, all torque values must meet this specification.

## Common Hardware Types

Hex Head Capscrew

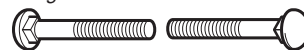


Washer



Lockwasher

Carriage Bolt



Hex Nut

## Wrench & Fastener Size Guide

1/4" Bolt or Nut Wrench—7/16"	5/16" Bolt or Nut Wrench—1/2"	3/8" Bolt or Nut Wrench—9/16"	7/16" Bolt or Nut Wrench (Bolt)—5/8" Wrench (Nut)—11/16"	1/2" Bolt or Nut Wrench—3/4"
M6 Bolt or Nut Wrench—10mm	M8 Bolt or Nut Wrench—13mm	M10 Bolt or Nut Wrench—17mm	M12 Bolt or Nut Wrench—19mm	M14 Bolt or Nut Wrench—22mm



**IT IS THE POLICY OF BRIGGS & STRATTON CORP. TO IMPROVE ITS PRODUCTS  
WHENEVER IT IS POSSIBLE AND PRACTICAL TO DO SO. WE RESERVE THE RIGHT TO  
MAKE CHANGES OR ADD IMPROVEMENTS AT ANY TIME WITHOUT INCURRING ANY  
OBLIGATION TO MAKE SUCH CHANGES ON PRODUCTS.**

**Briggs & Stratton Power Products Group**

---

12301 W. Wirth Street  
Wauwatosa, WI, 53222 USA

[www.BRIGGSandSTRATTON.com](http://www.BRIGGSandSTRATTON.com)

© Copyright 2012 by Briggs & Stratton Corporation  
Milwaukee, WI, USA. All rights reserved