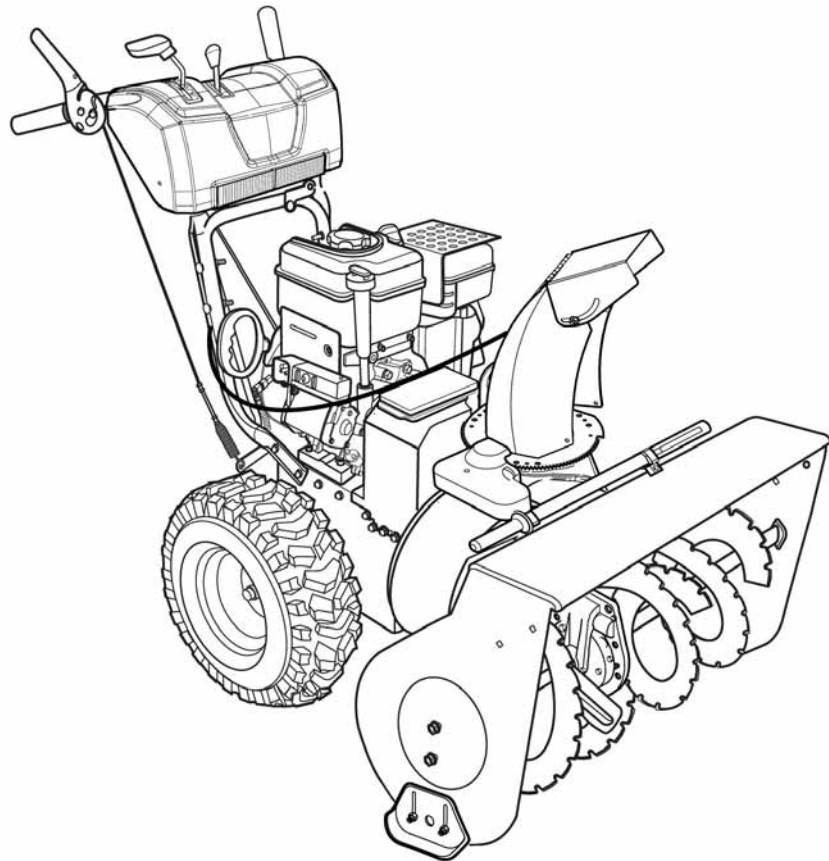


CANADIANA

Parts Manual



CM741450H

29" Dual Stage Snowthrower

Models

Mfg. No.	Description
1695868	CM741450H, Canadiana 14.5TP 29" Dual Stage Snowthrower, CE (2010)

Manual Part No. 1751219
Revision B
Rev. Date: 8/5/2010

Not for
Reproduction

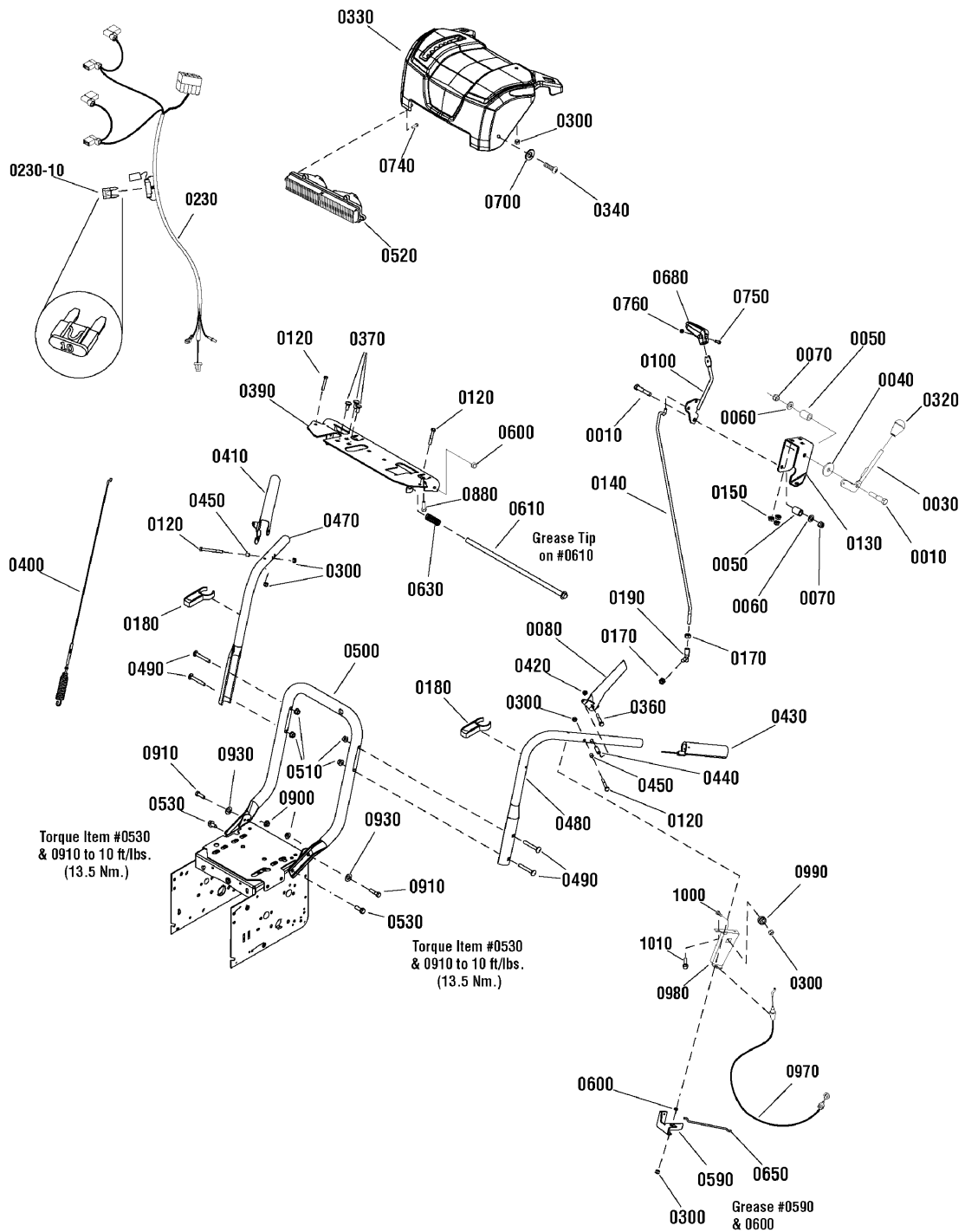
PRODUCT COMPONENTS	PAGES
Handles & Controls Group	4
Engine & Frame Group	8
Auger Drive Group	10
Auger Housing Group	12
Traction Drive Group	14
Wheels & Tires Group	16
Decals Group	18
Discharge Chute Group	20
Gear Case Assembly	22
Torque Specification Chart	Inside Back Cover

Not for
Reproduction

Handles & Controls Group

NOTE: Unless noted otherwise,
use the standard hardware torque
specification chart.

2989201



The above parts group applies to the following Mfg. Nos.:
1695868 - CM741450H

Handles & Controls Group

REF NO	PART NO.	QTY.	DESCRIPTION
0010	1923701SM	2	CAPSCREW, Hex Head, 3/8-16 x 2, G5
0030	1736192YP	1	LEVER, Deflector Control
0040	1924356SM	1	WASHER, 3/8
0050	50786MA	2	SPRING, 3/4
0060	1918266SM	2	WASHER, 3/8
0070	1919439SM	2	NUT, Hex Lock, ESNA LIGHT 3/8-16
0080	1737690YP	1	LEVER, Clutch, L.H.
0100	1738733YP	1	LEVER, Speed
0120	1921962SM	4	CAPSCREW, Hex Head, 1/4-20 x 1-3/4, G5
0130	1737684YP	1	BRACKET, Controls
0140	1734353SM	1	ROD, 28-1/2"
0150	1931277SM	3	NUT, Hex Flange, Whiz Lock, 5/16-18
0170	2820263SM	2	NUT, Hex, 5/16-24
0180	1739487YP	2	BRACKET, Mounting, Dash
0190	50782MA	1	BALLJOINT
0230	1738284YP	1	HARNES, Wire, Headlights
0230-10	----	1	FUSE, Mini, 10 Amp ** (Included with Ref. No. 0530)
0300	1920397SM	5	NUT, Hex Lock, ESNA LIGHT 1/4-20
0320	1732470SM	1	KNOB, Internal Thread, 3/8-16
0330	1739481YP	1	DASH ASSEMBLY
0340	1960001SM	2	SCREW, Hex Washer Head, Plastite, 10-14 x 5/8
0360	1922837SM	2	CAPSCREW, Hex Head, 1/4-20 x 1-1/2, G5
0370	340720MA	3	BOLT, Carriage, 5/16-18 x 3/4
0390	1739500AYP	1	SUPPORT, Dash Panel
0400	1732471SM	1	CABLE & SPRING ASEMBLY, Auger Drive, R.H.
0410	1736323YP	1	LEVER, Clutch, R.H.
0420	1923358SM	2	NUT, Hex Centerlock, 1/4-20
0430	1726317SM	2	GRIP
0440	1736542YP	2	SPACER, Stepped
0450	1678392SM	2	SPACER, 1/4 ID x 3/8 OD x 5/16
0470	1734587ASM	1	HANDLE, Upper, R.H.
0480	1734586ASM	1	HANDLE, Upper, L.H.
0490	1960273SM	4	BOLT, Carriage, 5/16-18 x 2-1/4, G5
0500	1737759AYP	1	HANDLE, Lower
0510	1739305YP	4	NUT, Hex Flange, ESNA, 5/16-18
0520	1736176YP	1	HEADLIGHT ASSEMBLY
0530	1664847SM	2	CAPSCREW, Hex Washer Head, Taptite, 5/16-18 x 3/4
0590	1733505ASM	1	BRACKET, Pivot, Free Hand
0600	1733095SM	3	SPACER, 1/4 ID x 3/8 OD x 1/8

Footnotes

Note** See your local hardware store for replacement fuses.

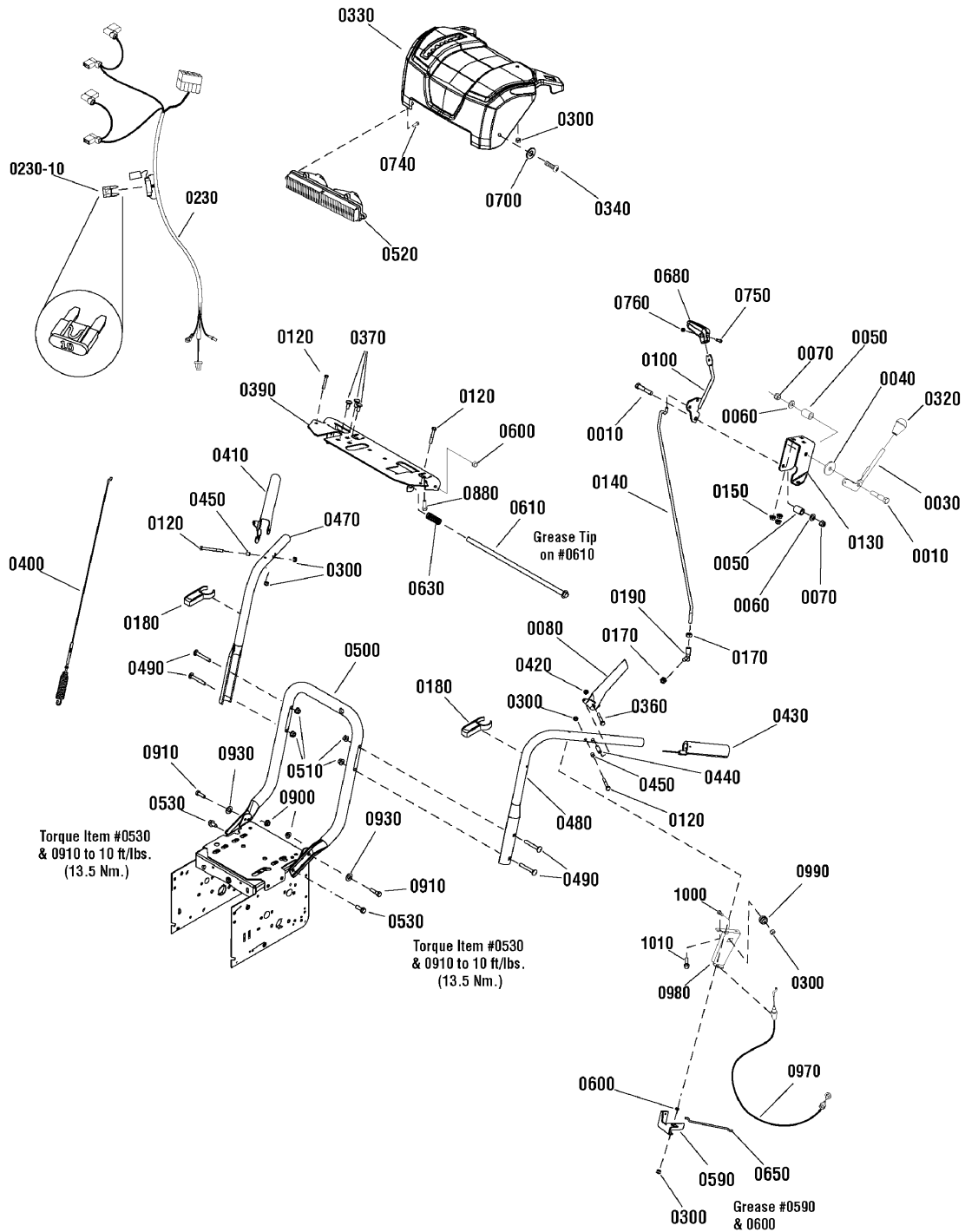
The above parts group applies to the following Mfg. Nos.:

1695868 - CM741450H

Handles & Controls Group

NOTE: Unless noted otherwise, use the standard hardware torque specification chart.

2989201



The above parts group applies to the following Mfg. Nos.:

1695868 - CM741450H

Handles & Controls Group

REF NO	PART NO.	QTY.	DESCRIPTION
0610	1733509SM	1	ROD & SPRING ASSEMBLY
0630	2108360SM	1	SPRING, Compression, 2-1/4"
0650	1736360YP	1	ROD, 5-1/2"
0680	1733192SM	1	KNOB, Slot Speed
0700	1921319SM	2	WASHER, 1/4
0740	7091105YP	4	CAPSCREW, Hex Washer Head, 10-16 x 1/2
0750	1960589SM	1	SCREW, Round Head Phillips, #10-24 x 3/4
0760	7091290SM	1	NUT, Nylock, #10C
0880	7091081SM	2	CAPSCREW, Self Tap, 1/4-15 x 3/4
0900	1935048SM	2	NUT, Hex Flange, Two Way Lock, 5/16-18
0910	1921333SM	2	CAPSCREW, Hex Head, 5/16-18 x 1, G5
0930	71071MA	2	WASHER, Flat, 3/8
0970	1733434SM	1	CABLE, Hydro Drive
0980	1733221ASM	1	BRACKET, Spool
0990	579860MA	1	SPOOL CABLE, Auger Control
1000	1931320SM	1	BOLT, Carriage, 1/4-20 x 1-1/4, G5
1010	1725702SM	1	SCREW, Pan Head Torx, #10 x 1/2

Not for
Reproduction

Footnotes

Note** See your local hardware store for replacement fuses.

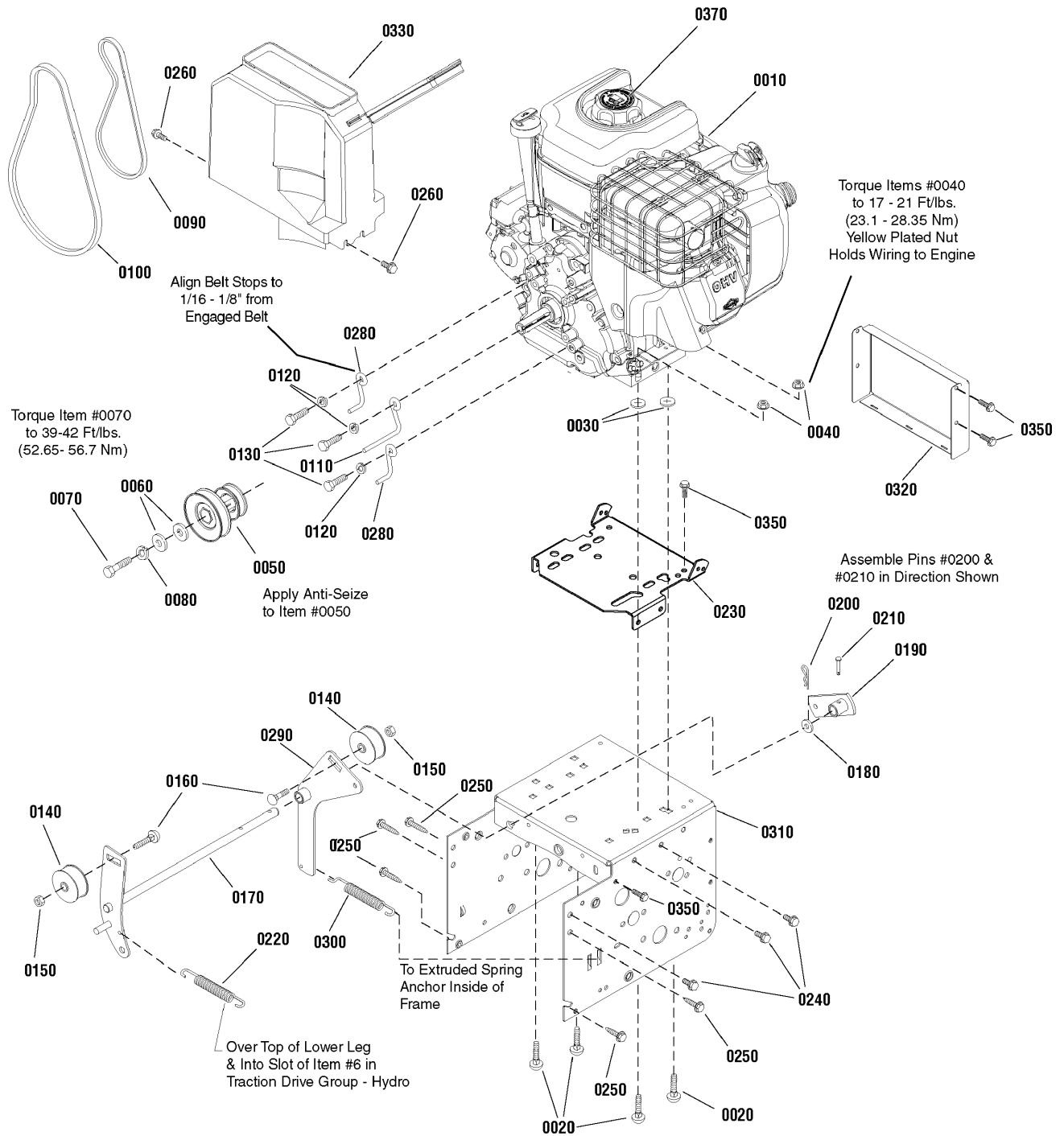
The above parts group applies to the following Mfg. Nos.:

1695868 - CM741450H

Engine & Frame Group

NOTE: Unless noted otherwise,
use the standard hardware torque
specification chart.

2989147



The above parts group applies to the following Mfg. Nos.:
1695868 - CM741450H

Engine & Frame Group

REF NO	PART NO.	QTY.	DESCRIPTION
0010	20M314-0127-E1	1	*ENGINE, 14.5TP, Briggs & Stratton (Engine Model: 20M314-0127-E1)
0020	002X97MA	4	BOLT, Carriage, 5/16-18 x 1-1/2
0030	028X76MA	4	PUSHNUT, 1/4
0040	1739305YP	4	NUT, ESNA, 5/16-18
0050	1501109MA	1	PULLEY, Engine
0060	1922755SM	2	WASHER, 3/8
0070	1960428SM	1	CAPSCREW, Hex Head, 3/8-24 x 1-1/4, G8
0080	1916965SM	1	LOCKWASHER, Spring 3/8
0090	1733323SM	1	V-BELT, Traction Drive, 3L 25.65
0100	585416MA	1	BELT, Auger Drive, V4L 38.10
0110	1739070YP	1	BELT GUIDE
0120	1917356SM	3	LOCKWASHER, Spring 5/16
0130	1921515SM	2	CAPSCREW, Hex Head, 5/16-24 x 3/4, G5
0140	1502120MA	2	IDLER
0150	1960251SM	2	NUT, Hex Centerlock Jaam, 3/8-16
0160	585781MA	2	BOLT, Carriage, 3/8-16 x 1-1/4, G5
0170	1501226YZMA	1	AUGER IDLER
0180	1960027SM	1	WASHER, 1/2
0190	1733451SM	1	ARM, Control
0200	0031X6MA	1	PIN, Hair 3/8 x 1-5/8
0210	1736381YP	1	PIN, Clevis
0220	165X159MA	1	SPRING, Extension Auger
0230	1733583BNYP	1	PLATE, Engine Mount
0240	1924856SM	4	CAPSCREW, Hex Washer Head, Taptite, 5/16-18 x 1/2
0250	1664847SM	6	CAPSCREW, Hex Washer Head, Taptite, 5/16-18 x 3/4
0260	26X306MA	2	CAPSCREW, Tapping, 1/4 x 3/4
0280	1733013SM	2	STOP, Belt
0290	1501370YZMA	1	DRIVE IDLER
0300	165X155MA	1	SPRING, Extension Control
0310	1740590BNYP	1	FRAME BOX
0320	1740596AYP	1	BACK PANEL
0330	1733923SM	1	BELT COVER ASSEMBLY
0350	1927429SM	8	CAPSCREW, Hex Washer Head, Taptite, 1/4-20 x 5/8
0370	698109	1	CAP, Gas

Footnotes

Note* See your local Briggs & Stratton distributor for parts and service.

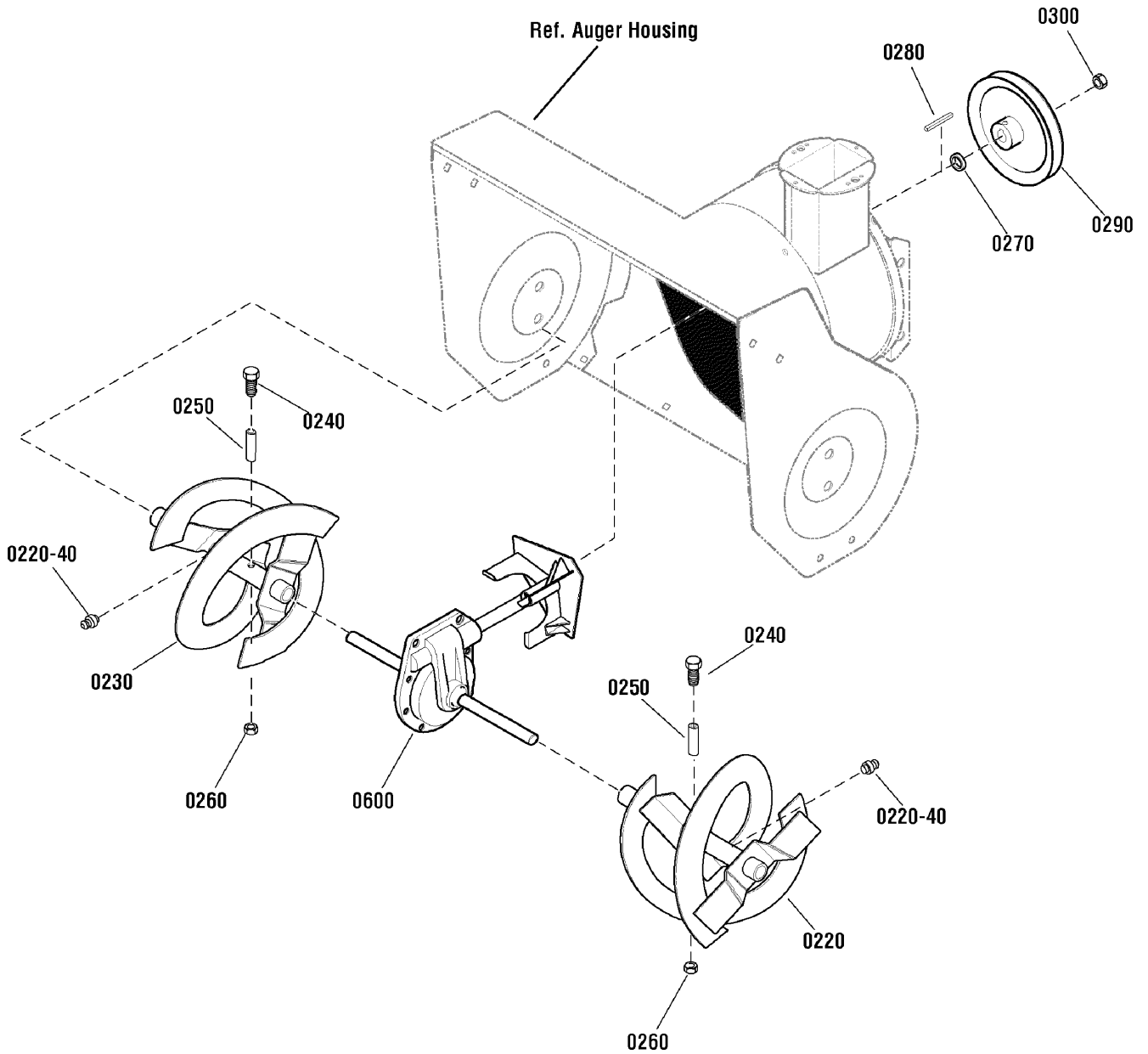
The above parts group applies to the following Mfg. Nos.:

1695868 - CM741450H

Auger Drive Group

NOTE: Unless noted otherwise,
use the standard hardware torque
specification chart.

2988564



The above parts group applies to the following Mfg. Nos.:
1695868 - CM741450H

Auger Drive Group

REF NO	PART NO.	QTY.	DESCRIPTION
0220	1738031AYP	1	AUGER, 29, Left (Includes Ref. No. 0220-40)
0230	1738032AYP	1	AUGER, 29, Right (Includes Ref. No. 0220-40)
0220-40	10104MA	2	FITTING, Zerk
0240	9524MA	2	SCREW, 1/4-20 x 1-3/4
0250	3943MA	2	SPACER, Sleeve, 1/4 x 1/2
0260	73826MA	2	NUT, Centerlock Hex, 1/4-20
0270	1501158MA	1	SPACER, Friction Pulley
0280	2001022MA	1	KEY, Square, 3/16 x 3/4
0290	583146MA	1	PULLEY, 4L 8.40 OD.
0300	15X112MA	1	NUT, Hex Flange, 1/2-20
0600	1738604YP	1	GEAR CASE ASSEMBLY
--	1501216MA	1	SHEAR BOLT KIT (Includes Ref. Nos. 0240, 0250 & 0260)

Not for
Reproduction

Footnotes

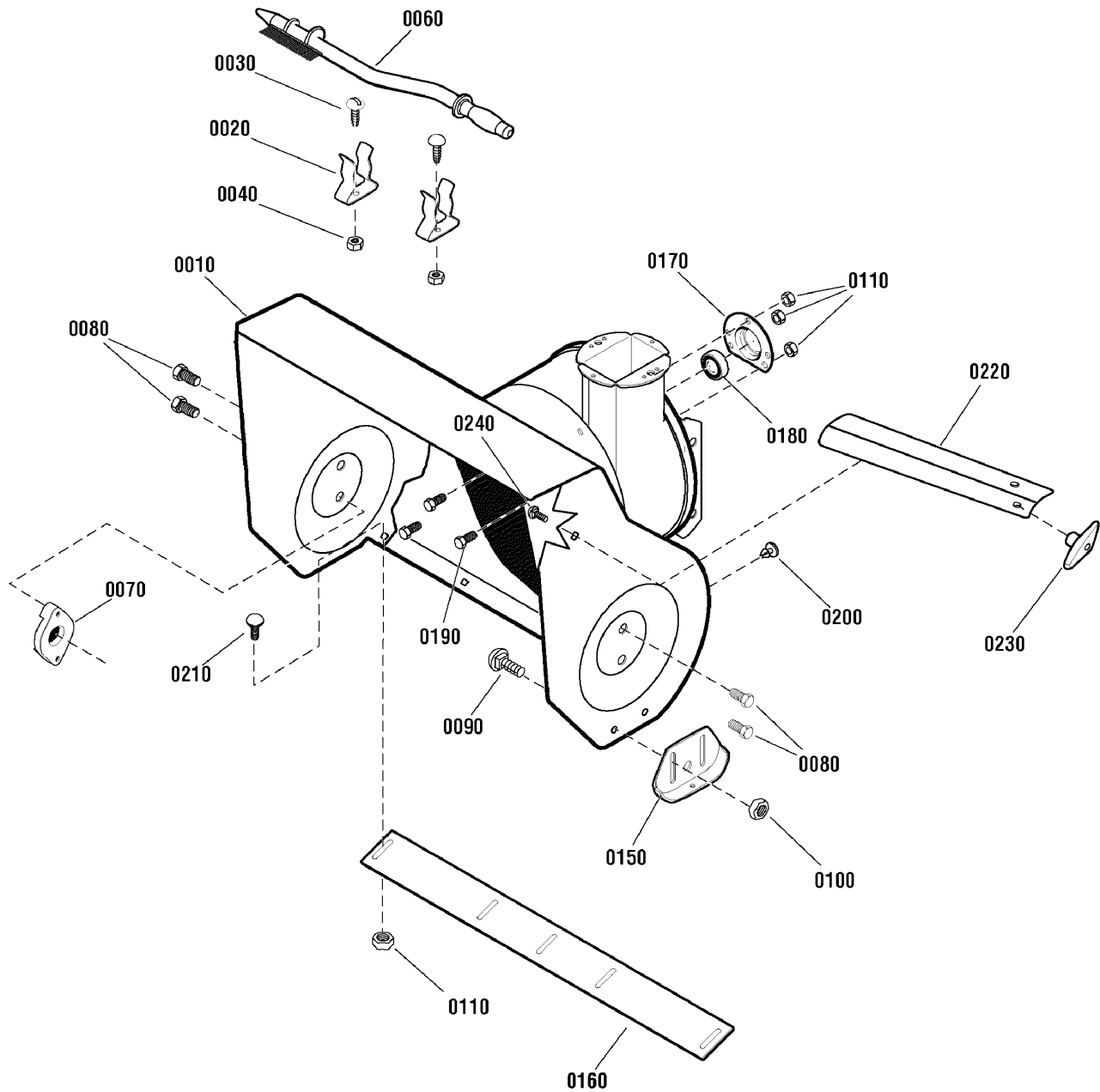
The above parts group applies to the following Mfg. Nos.:

1695868 - CM741450H

Auger Housing Group

2988563

NOTE: Unless noted otherwise,
use the standard hardware torque
specification chart.



The above parts group applies to the following Mfg. Nos.:
1695868 - CM741450H

Auger Housing Group

REF NO	PART NO.	QTY.	DESCRIPTION
0010	1737928BNYP	1	AUGER HOUSING, 29
0020	1736620YP	2	CLAMP
0030	1960569SM	2	SCREW, Truss Head Torx, #10-24 x 3/8
0040	15X146MA	2	NUT, Nylock, 10 x 24
0060	1736094YP	1	BRUSH, Cleanout
0070	53757MA	2	BEARING, Auger Shaft
0080	25X021MA	4	SCREW, 5/16-18 x 3/4
0090	7091547YP	4	BOLT, Carriage, 5/16-18 x 3/4
0100	7091619SM	7	NUT, Hex Flange, 5/16-18
0110	710026MA	4	NUT, Hex Flange, Serrated Lock, 5/16-18
0150	1737985AYP	2	SKID, Height Adjust
0160	1740746HMA	1	BLADE, Scraper, 29
0170	582957YZMA	1	RETAINER, Ball Bearing
0180	1705897SM	1	BEARING, Ball
0190	001X45MA	3	CAPSCREW, Hex Head, 5/16-18 x 5/8
0200	760040MA	2	PLUG, Panel
0210	7090799SM	4	BOLT, Carriage, 5/16-18 x 5/8, G5
0220	1733102ASM	2	DRIFT CUTTER
0240	340720MA	2	BOLT, Carriage, 5/16-18 x 3/4
0230	711604MA	2	NUT, Wing, 5/16-18

Not for
Reproduction

Footnotes

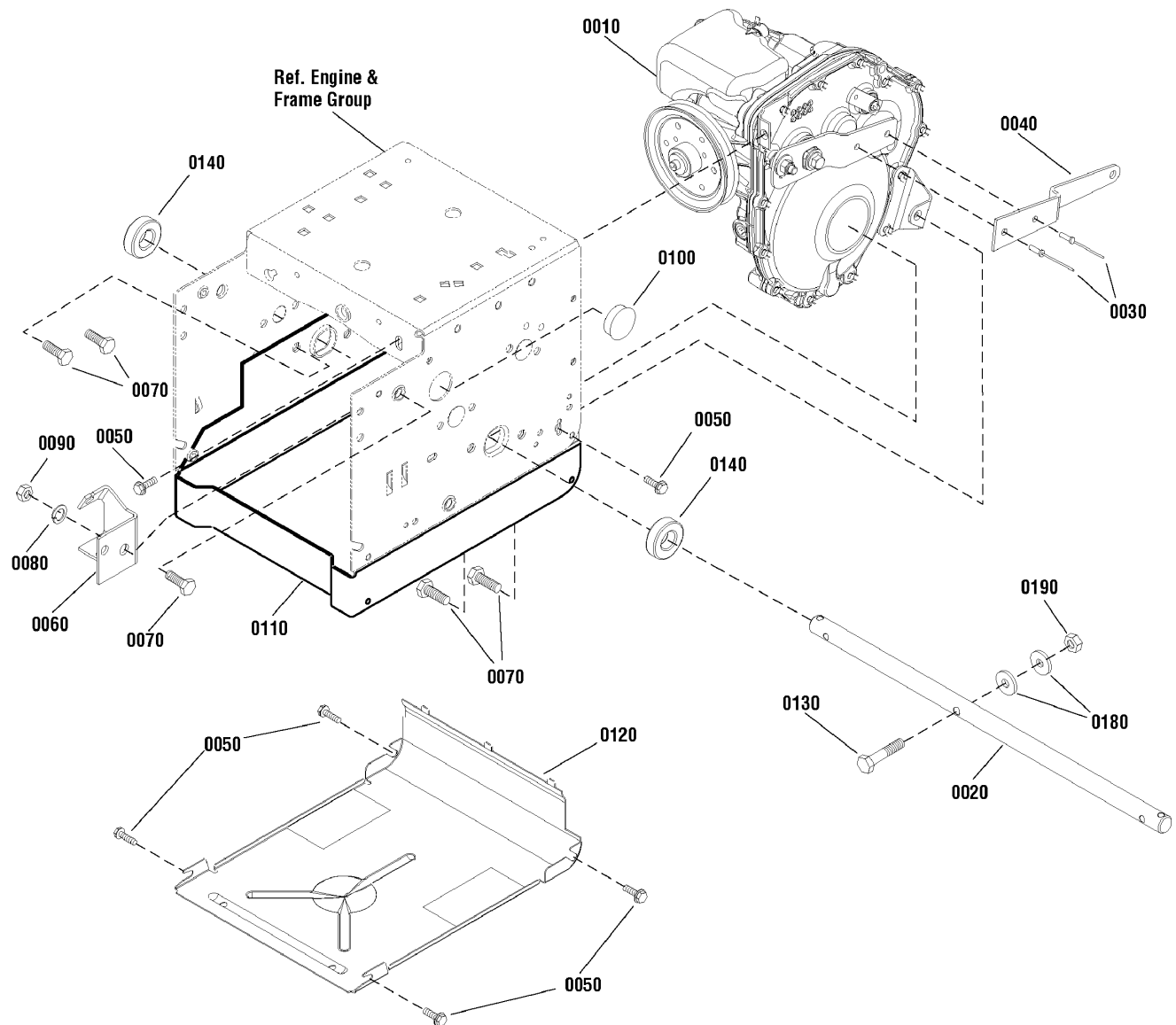
The above parts group applies to the following Mfg. Nos.:

1695868 - CM741450H

Traction Drive Group

NOTE: Unless noted otherwise,
use the standard hardware torque
specification chart.

2988640



The above parts group applies to the following Mfg. Nos.:
1695868 - CM741450H

Traction Drive Group

REF NO	PART NO.	QTY.	DESCRIPTION
0010	1501353MA	1	TRANSMISSION, Hydro Gear
0020	1501566MA	1	AXLE
0030	1960241SM	2	POP RIVET
0040	1501366MA	1	ARM, Control
0050	1927429SM	6	CAPSCREW, Hex Washer Head, Taptite, 1/4-20 x 5/8
0060	1501361MA	1	BRACKET, Lower Drive
0070	1921965SM	5	CAPSCREW, Hex Head, 3/8-16 x 3/4, G5
0080	1916965SM	5	LOCKWASHER, Spring 3/8
0090	1917421SM	5	NUT, Hex Jam, 3/8-16
0100	1501496MA	1	PLUG
0110	1740597AYP	1	FRAME EXTEND, Hydro
0120	1740577AYP	1	PANEL, Bottom
0130	01X193MA	1	CAPSCREW, Hex, 1/4-20 x 1-3/4, G8
0140	1501114MA	2	BEARING, Axle
0180	1919381SM	1	WASHER, 5/16
0190	1920397SM	1	NUT, Hex Lock, ESNA LIGHT 1/4-20

Not for
Reproduction

Footnotes

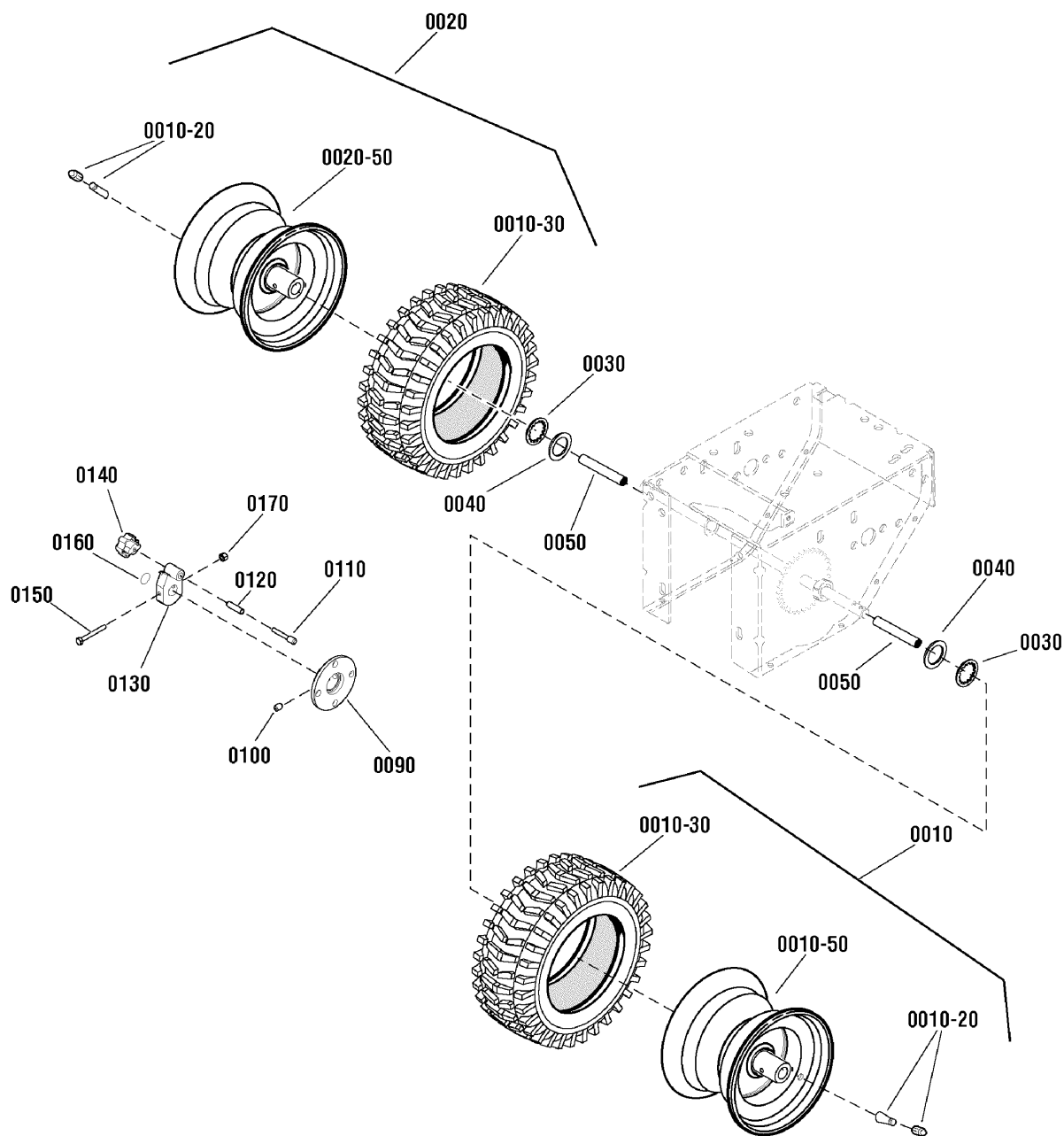
The above parts group applies to the following Mfg. Nos.:

1695868 - CM741450H

Wheels & Tires Group

NOTE: Unless noted otherwise,
use the standard hardware torque
specification chart.

2989436



The above parts group applies to the following Mfg. Nos.:

1695868 - CM741450H

Wheels & Tires Group

REF NO	PART NO.	QTY.	DESCRIPTION
0010	1751296YP	1	WHEEL ASSEMBLY, 16 x 4.8 - 8, L.H. (Includes Ref. No. 0010-20, 0010-30 & 0010-50)
0010-20	2172353SM	2	VALVE STEM & CAP
0010-30	1751298YP	2	TIRE, 4.80 - 8
0010-50	-----	1	*RIM, L.H.
0020	1751297YP	1	WHEEL ASSEMBLY, 16 x 4.8 - 8, R.H. (Includes Ref. No. 0010-20, 0010-30 & 0020-50)
0020-50	-----	1	*RIM, R.H.
0030	1657528SM	2	RING, Retaining, Self Lock, 3/4
0040	712120MA	2	WASHER, Flat, 3/4
0050	1501138MA	2	BUSHING, Wheel
0090	1501032EMA	2	DISC, Wheel Lock
0100	2001066MA	4	SCREW, .38-16x0.50 HEX.18
0110	1501856YZMA	2	PIN, Wheel Lock
0120	164X34MA	2	SPRING, Compression
0130	1920397SM	2	NUT, Hex Lock, ESNA LIGHT 1/4-20
0140	1501855MA	2	KNOB, Wheel Lock
0150	73839MA	2	SCREW, .25-20 X 2.25 HHC GR8
0160	48X5600MA	2	DECAL, Wheel Lock Pictorial
0170	1501857MA	2	HUB, Wheel Lock

Not for
Reproduction

Footnotes

*Not a servicable part, order complete wheel assembly

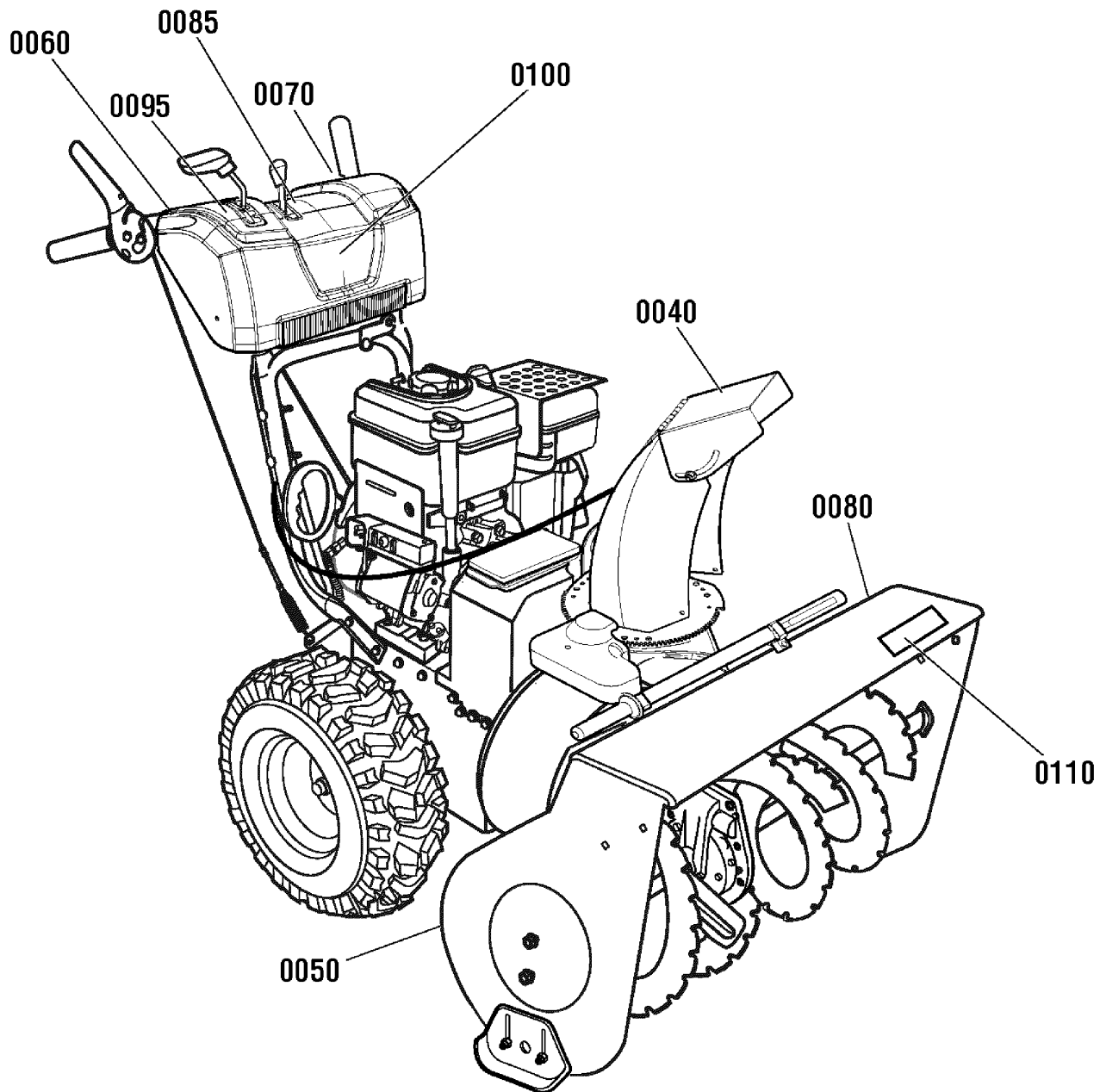
The above parts group applies to the following Mfg. Nos.:

1695868 - CM741450H

Decals Group

NOTE: Unless noted otherwise,
use the standard hardware torque
specification chart.

2989153



The above parts group applies to the following Mfg. Nos.:

1695868 - CM741450H

Decals Group

REF NO	PART NO.	QTY.	DESCRIPTION
0040	1727207SM	1	DECAL, Chute Warning, Export
0050	1737867YP	1	DECAL, Danger Auger Icons
0060	1737869YP	1	DECAL, Auger Control Symbols
0070	1737870YP	1	DECAL, Traction Control Symbols
0080	304427MA	1	DECAL, Face Headphones
0085	1737875YP	1	DECAL, Controls w/Remote
0095	1738740YP	1	DECAL, Hydro Speed Control
0100	1750433YP	1	DECAL, Dash, Canadiana
0110	1750435YP	1	DECAL, Auger Housing

Not for
Reproduction

Footnotes

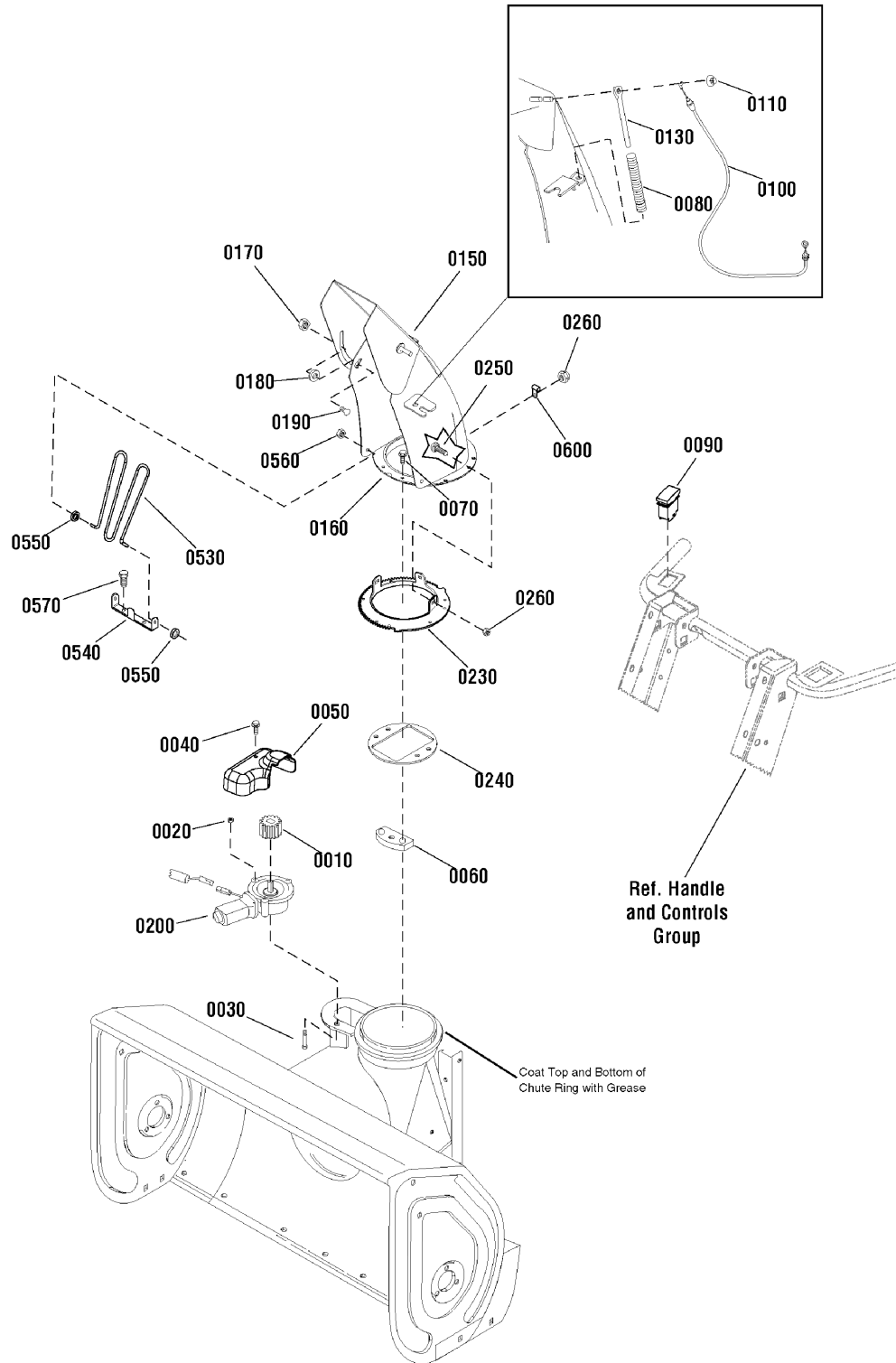
The above parts group applies to the following Mfg. Nos.:

1695868 - CM741450H

Discharge Chute Group

NOTE: Unless noted otherwise,
use the standard hardware torque
specification chart.

2988565



The above parts group applies to the following Mfg. Nos.:
1695868 - CM741450H

Discharge Chute Group

REF NO	PART NO.	QTY.	DESCRIPTION
0010	1728967SM	1	PINION
0020	1960745SM	3	NUT, Hex Flange, #10-24
0030	2860604SM	3	SCREW, Hex Washer Head, 10C x 1-1/4
0040	1925592SM	1	SCREW, Hex Washer Head, Taptite, 1/4-20x 3/4
0050	1737455YP	1	COVER, Electric Chute Rotation
0060	7011938SM	3	RETAINER, Spout
0070	1960001SM	6	SCREW, Hex Washer Head, Plastite, 10-14 x 5/8
0080	1734647SM	1	SPRING, Compression
0090	1738243YP	1	SWITCH, Chute Rotation
0100	1732971SM	1	CABLE, Deflector Control
0110	1932718SM	1	PUSHNUT, 5/16
0130	1734708ASM	1	ROD, Spring Guide
0150	1733601SM	2	DECAL, Strip for Chute Hinge
0160	1737443AYP	1	CHUTE
0170	1960686SM	1	NUT, Hex Flange, 5/16-18
0180	2860210SM	1	WASHER, Nylon, 3/8
0190	002X97MA	1	BOLT, Carriage, 5/16-18 x 3/4
0200	1728965SM	1	MOTOR, Spout Rotator
0230	1737465AYP	1	GEAR, Chute
0240	1737411YP	1	ADAPTER, Chute Ring
0250	1931317SM	7	BOLT, Carriage, 1/4-20 x 3/4, G5
0260	2860694SM	7	NUT, Hex Flange, 1/4-20
0530	1733475SM	1	GUARD, Chute
0540	1737683AYP	1	BRACKET, Chute Guard
0550	1738174YP	2	GROMMET, Chute Guard Bracket
0560	1960140SM	2	PUSHNUT, 3/16
0570	1925003SM	2	SCREW, Hex Washer Head, Taptite, 1/4-20 x 1/2
0600	1739331YP	1	CLIP, Cable

Footnotes

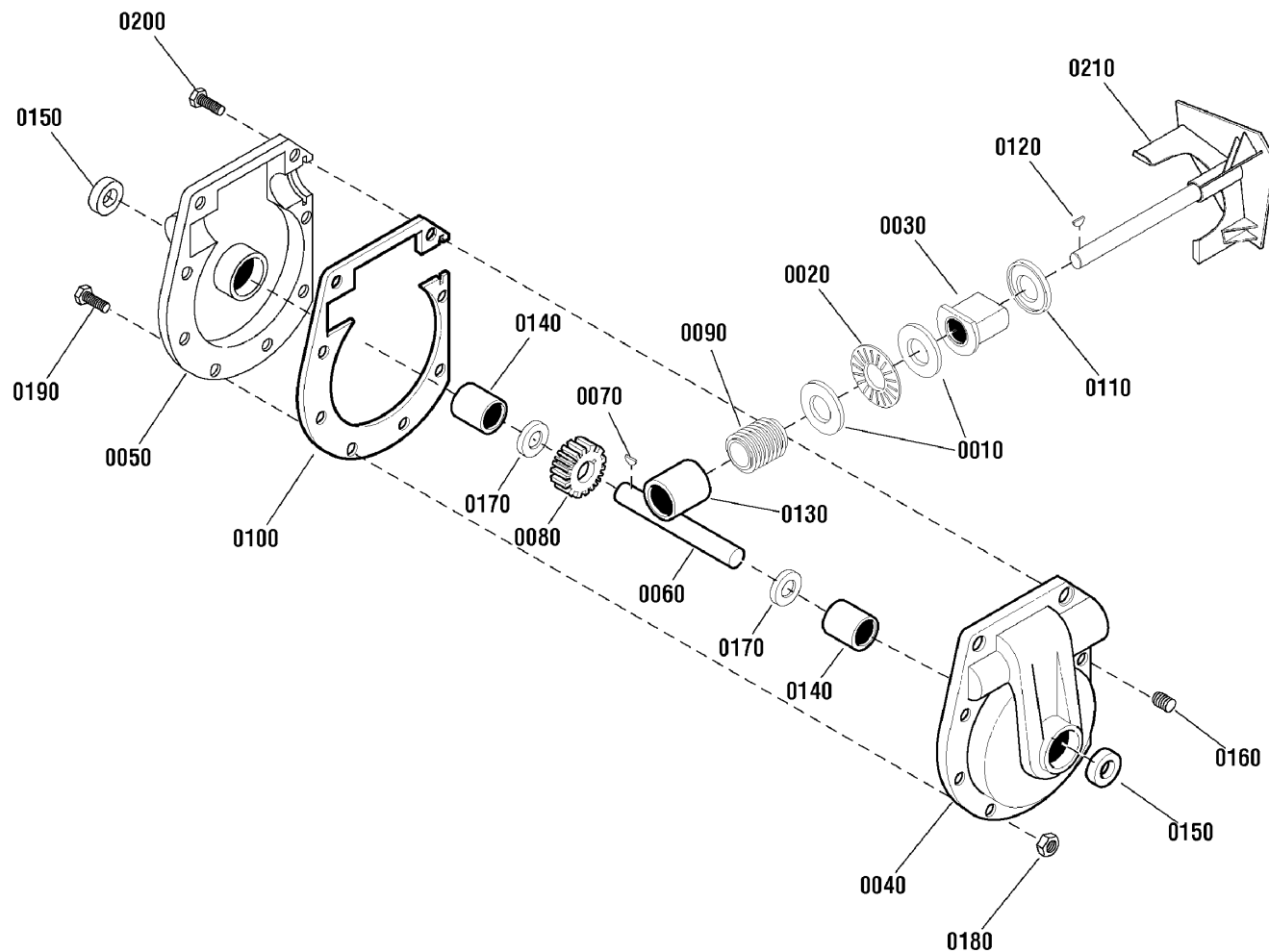
The above parts group applies to the following Mfg. Nos.:

1695868 - CM741450H

Gear Case Assembly

NOTE: Unless noted otherwise,
use the standard hardware torque
specification chart.

1738604



The above parts group applies to the following Mfg. Nos.:

1695868 - CM741450H

Gear Case Assembly

REF NO	PART NO.	QTY.	DESCRIPTION
0010	48275MA	2	WASHER, Thrust
0020	50684MA	1	BEARING, Roll
0030	583126MA	1	BEARING, Flange
0040	895MA	1	GEAR CASE, Left
0050	896MA	1	GEAR CASE, Right
0060	760528MA	1	SHAFT, Auger Out, 29
0070	73905MA	1	KEY, Woodruf
0080	53730MA	1	GEAR, Worm
0090	53732MA	1	WORMGEAR
0100	897MA	1	GASKET, Gear Box
0110	53737MA	1	RING, Quad
0120	50795MA	1	KEY, Hi-Pro
0130	53731MA	1	BEARING, Sleeve
0140	53743MA	2	BEARING, Sleeve
0150	780151MA	2	SEAL, Oil
0160	53749MA	1	PLUG, Pipe
0170	53748MA	2	WASHER, Flat, 1
0180	71100MA	8	NUT, Hex Flange, Serrated, 5/16-24
0190	910828MA	7	BOLT, Hex 5/16-24 x 1
0200	330434MA	1	SCREW, Hex Head, 5/16-24 x 1-1/2
0210	1740584AYP	1	IMPELLER

Not for
Reproduction

Footnotes

The above parts group applies to the following Mfg. Nos.:

1695868 - CM741450H

Not for
Reproduction

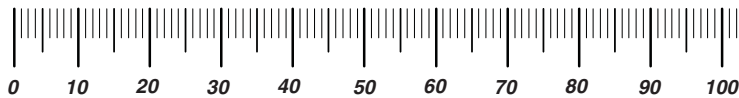
Not for
Reproduction

Not for
Reproduction

Hardware Identification & Torque Specifications

Torque Specification Chart								
FOR STANDARD METRIC MACHINE HARDWARE (Tolerance ± 20%)								
Property Class	5.6		8.8		10.9		12.9	
	Class 5.6		Class 8.8		Class 10.9		Class 12.9	
Size Of Hardware	in/lbs		in/lbs		in/lbs		in/lbs	
	ft/lbs	Nm.	ft/lbs	Nm.	ft/lbs	Nm.	ft/lbs	Nm.
M3	5.88	.56	13.44	1.28	19.2	1.80	22.92	2.15
M4	13.44	1.28	30.72	2.90	43.44	4.10	52.56	4.95
M5	26.4	2.50	60.96	5.75	5.97	8.10	7.15	9.7
M6	44.64	4.3	7.3	9.9	10.3	14	12.1	16.5
M7	5.2	7.1	12.1	16.5	16.9	23	19.9	27
M8	7.7	10.5	17.7	24	25	34	29	40
M10	15	21	35	48	50	67	59	81
M12	26	36	61	83	86.2	117	103	140
M14	42	58	101	132	136	185	162	220
M16	64	88	147	200	210	285	250	340
M18	89	121	202	275	287	390	346	470
M20	126	171	290	390	405	550	486	660
M22	169	230	390	530	559	745	656	890
M24	217	295	497	375	708	960	840	1140
M27	320	435	733	995	1032	1400	1239	1680
M30	435	590	995	1350	1401	1900	1681	2280
M33	590	800	1349	1830	1902	2580	2278	3090
M36	759	1030	1740	2360	2441	3310	2935	3980
M39	988	1340	2249	3050	3163	4290	3798	5150

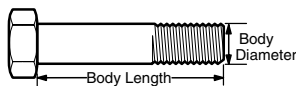
The guides and ruler furnished below are designed to help you select the appropriate hardware.



Nut, M8

Thread Diameter (mm)
Inside Diameter (in)
Threads per inch

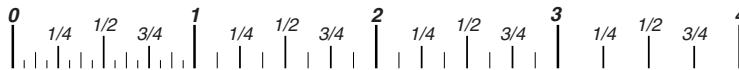
Nut, 1/2-16



Screw, M8- 1.25 x 25

Thread Diameter (mm)
Body Diameter
Distance between threads (mm)
Threads per inch
Body Length (mm)
Body Length (in)

Screw, 1/2- 16 x 2



Standard Hardware Sizing

When a washer or nut is identified as **1/2"** (M8), this is the *Nominal size*, meaning the *inside diameter* is 1/2 inch (8mm metric thread diameter); if a second number is present it represents the *threads per inch* (distance between threads).

When bolt or capscrew is identified as **1/2 - 16 x 2"** (M8 - 1.25 x 50), this means the *Nominal size*, or body diameter is 1/2 inch (8mm metric thread diameter), the second number, 16, represents the *threads per inch*, (*1.25 thread diameter*). The final number is the body length of the bolt or screw, 2 inches (50mm).

Torque Specification Chart						
FOR STANDARD MACHINE HARDWARE (Tolerance ± 20%)						
Hardware Grade	No Marks		SAE Grade 5		SAE Grade 8	
	SAE Grade 2		SAE Grade 5		SAE Grade 8	
Size Of Hardware	in/lbs		in/lbs		in/lbs	
	ft/lbs	Nm.	ft/lbs	Nm.	ft/lbs	Nm.
8-32	19	2.1	30	3.4	41	4.6
8-36	20	2.3	31	3.5	43	4.9
10-24	27	3.1	43	4.9	60	6.8
10-32	31	3.5	49	5.5	68	7.7
1/4-20	66	7.6	8	10.9	12	16.3
1/4-28	76	8.6	10	13.6	14	19.0
5/16-18	11	15.0	17	23.1	25	34.0
5/16-24	12	16.3	19	25.8	29	34.0
3/8-16	20	27.2	30	40.8	45	61.2
3/8-24	23	31.3	35	47.6	50	68.0
7/16-14	30	40.8	50	68.0	70	95.2
7/16-20	35	47.6	55	74.8	80	108.8
1/2-13	50	68.0	75	102.0	110	149.6
1/2-20	55	74.8	90	122.4	120	163.2
9/16-12	65	88.4	110	149.6	150	204.0
9/16-18	75	102.0	120	163.2	170	231.2
5/8-11	90	122.4	150	204.0	220	299.2
5/8-18	100	136	180	244.8	240	326.4
3/4-10	160	217.6	260	353.6	386	525.0
3/4-16	180	244.8	300	408.0	420	571.2
7/8-9	140	190.4	400	544.0	600	816.0
7/8-14	155	210.8	440	598.4	660	897.6
1-8	220	299.2	580	788.8	900	1,244.0
1-12	240	326.4	640	870.4	1,000	1,360.0

NOTES

- These torque values are to be used for all hardware excluding: locknuts, self-tapping screws, thread forming screws, sheet metal screws and socket head setscrews.
- Recommended seating torque values for locknuts:
 - for prevailing torque locknuts - use 65% of grade 5 torques.
 - for flange whizlock nuts and screws - use 135% of grade 5 torques.
- Unless otherwise noted on assembly drawings, all torque values must meet this specification.

Common Hardware Types

Hex Head Capscrew



Washer



Lockwasher

Carriage Bolt



Hex Nut

Wrench & Fastener Size Guide

1/4" Bolt or Nut Wrench—7/16"	5/16" Bolt or Nut Wrench—1/2"	3/8" Bolt or Nut Wrench—9/16"	7/16" Bolt or Nut Wrench (Bolt)—5/8" Wrench (Nut)—11/16"	1/2" Bolt or Nut Wrench—3/4"
M6 Bolt or Nut Wrench—10mm	M8 Bolt or Nut Wrench—13mm	M10 Bolt or Nut Wrench—17mm	M12 Bolt or Nut Wrench—19mm	M14 Bolt or Nut Wrench—22mm

CANADIANA

Not for
Reproduction

**IT IS THE POLICY OF BRIGGS & STRATTON CORP. TO IMPROVE ITS PRODUCTS
WHENEVER IT IS POSSIBLE AND PRACTICAL TO DO SO. WE RESERVE THE RIGHT TO
MAKE CHANGES OR ADD IMPROVEMENTS AT ANY TIME WITHOUT INCURRING ANY
OBLIGATION TO MAKE SUCH CHANGES ON PRODUCTS.**

Briggs & Stratton Yard Power Products Group

3515 N. 124 Street / PO Box 702
Wauwatosa, WI 53222 USA

www.BRIGGSandSTRATTON.com
www.murray.com

© Copyright 2010 by Briggs & Stratton Corporation
Milwaukee, WI, USA. All rights reserved