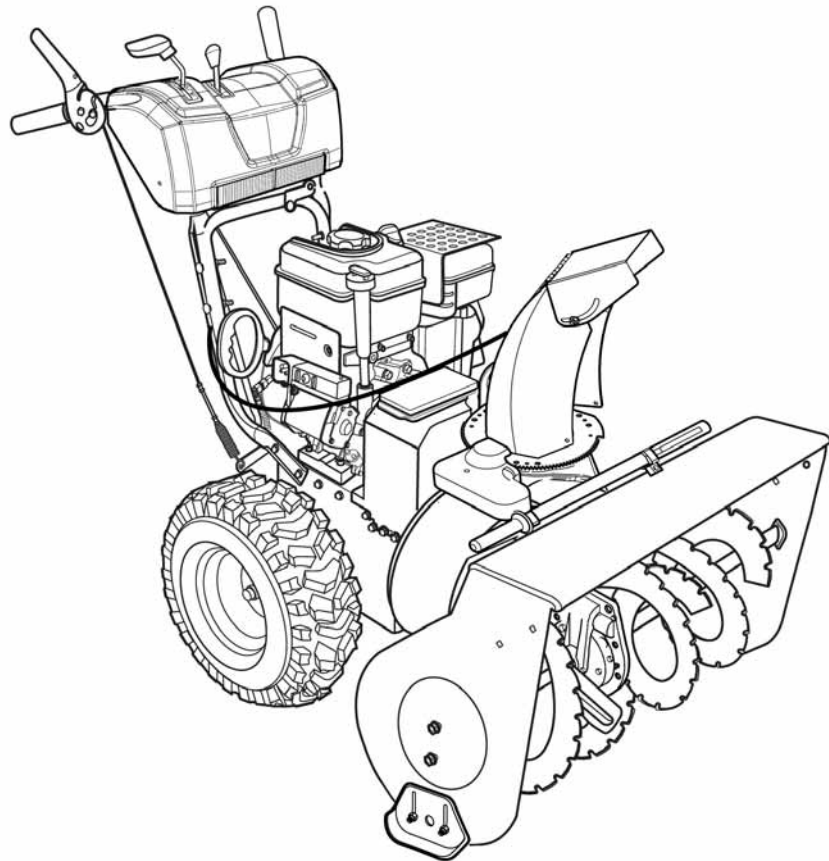


CANADIANA

Parts Manual



CL841650S

33" Dual Stage Snowthrower

Models

Mfg. No.	Description
1695869	CL841650S, Canadiana 16.5TP 33" Dual Stage Snowthrower, CE (2010)

Manual Part No. 1751220
Revision B
Rev. Date: 9/2/2010