



Parts Manual

Mfg. No: 1694984
L8565E, 8.5HP 26" Snowthrower

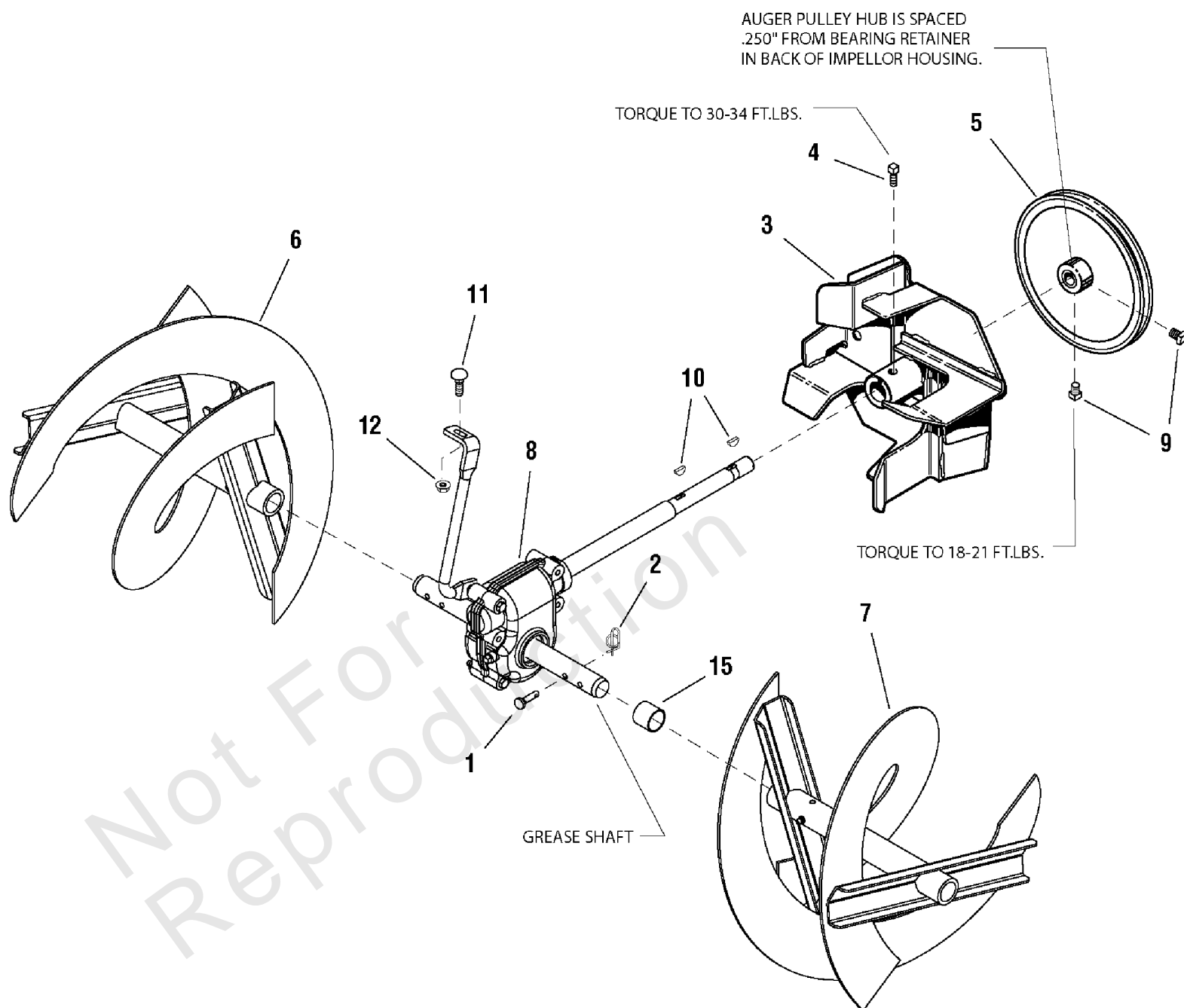
Model Components	Page
Auger Drive Group.....	4
Auger Housing & Chute Group.....	6
Decal Group.....	10
Engine & Frame Group - Domestic Models.....	12
Handles & Controls Group.....	16
Traction Drive Group - Standard.....	20
Wheel & Tire Group.....	22
Torque Specification Chart.....	24

Not For
Reproduction

Auger Drive Group

Note: Unless noted otherwise, use the standard torque specifications

Mfg. No: 1694984



Auger Drive Group

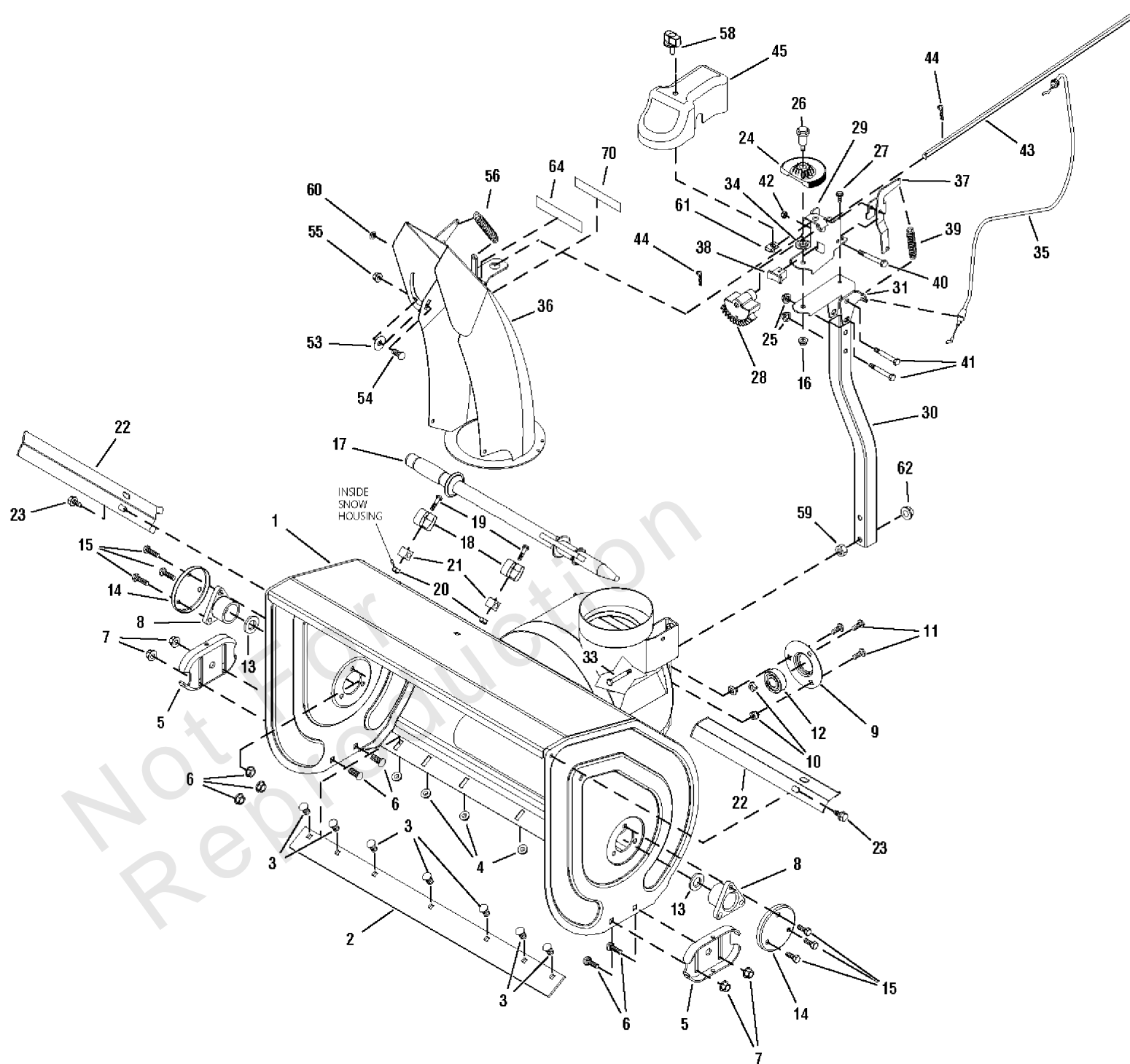
REF NO	PART NO	QTY	DESCRIPTION
1	1668344SM	4	PIN, SHEAR
2	1918447SM	4	COTTER PIN, 1/4" Self Locking
3	1612187ASM	1	IMPELLER ASSEMBLY, Large Frame Snow
4	1960474SM	1	SCREW, Set, Square Head Cup Point 3/8-16 x 1/2 G8
5	1732185SM	1	PULLEY, w/Hub
6	1718783ASM	1	AUGER ASSEMBLY, 24" & 26" R.H.
6	1718785ASM	1	AUGER ASSEMBLY, 28" & 30" R.H.
6	1718787ASM	1	AUGER ASSEMBLY, 32" R.H.
7	1718782ASM	1	AUGER ASSEMBLY, 24" & 26" L.H.
7	1718784ASM	1	AUGER ASSEMBLY, 24" & 30" L.H.
7	1718786ASM	1	AUGER ASSEMBLY, 32" L.H.
8	1732303SM	1	GEAR BOX ASSEMBLY
9	1928721SM	2	SCREW, Set, Square Head Cup Point 5/16-18 x 1/2 G8
10	2818312SM	2	KEY, Woodruff
11	1931333SM	1	CARRIAGE BOLT, 5/16-18 x 3/4 G5
12	1931277SM	1	NUT, Hex Flange Whiz Lock, 5/16-18HEX FLANGE 5/16-18
15	1733406SM	2	TUBE

Not For
Reproduction

Auger Housing & Chute Group

Note: Unless noted otherwise, use the standard torque specifications

Mfg. No: 1694984



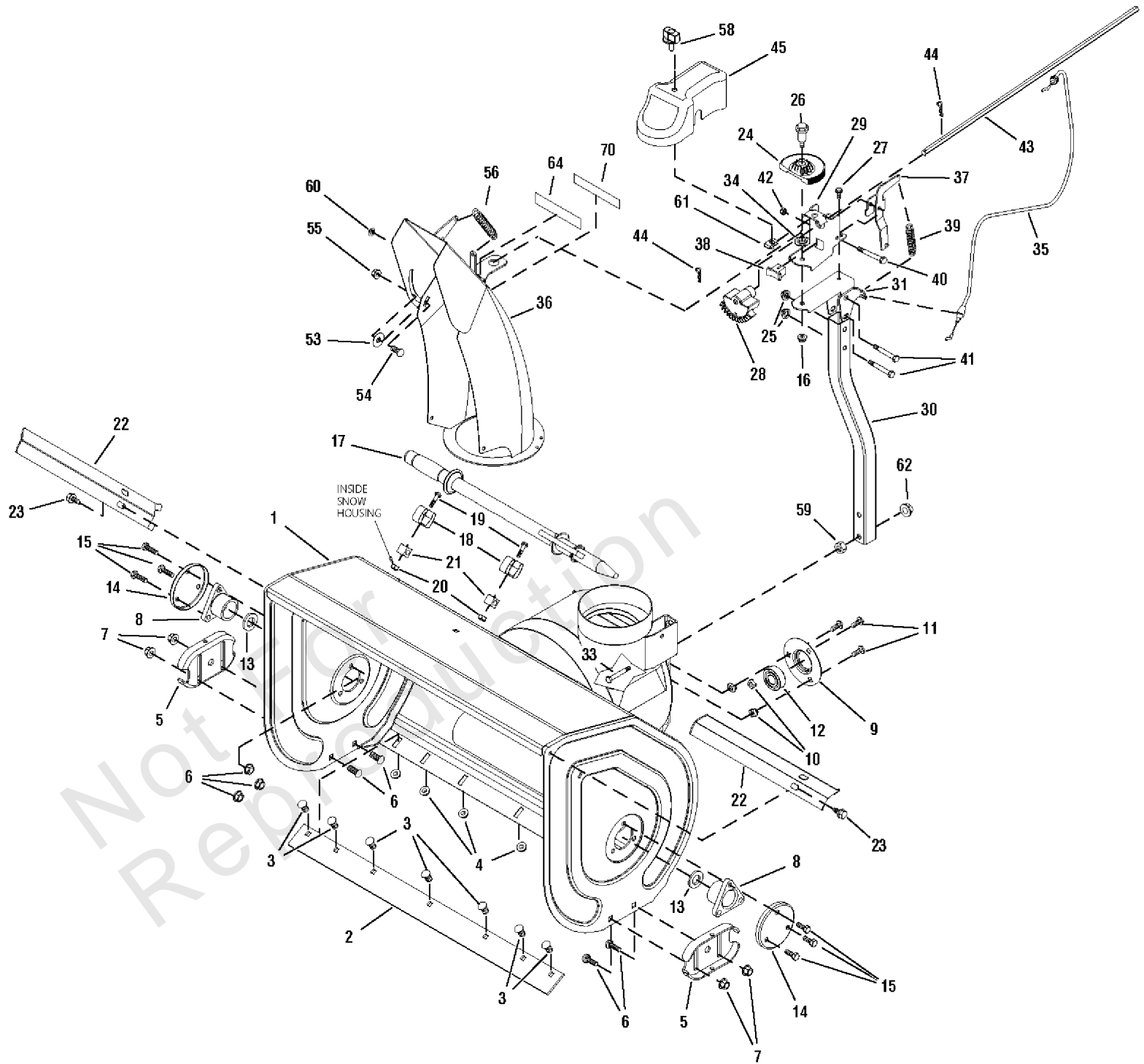
Auger Housing & Chute Group

REF NO	PART NO	QTY	DESCRIPTION
1	1732268CSM	1	HOUSING ASSEMBLY, 26"
1	1732269CSM	1	HOUSING ASSEMBLY, 28"
1	1732270CSM	1	HOUSING ASSEMBLY, 30"
1	1732008CSM	1	HOUSING ASSEMBLY, 32"
2	1732384ASM	1	BLADE, Scraper, 26"
2	1709947ASM	1	BLADE, Scraper, 28"
2	1732385ASM	1	BLADE, Scraper, 30"
2	1709948ASM	1	BLADE, Scraper, 32"
3	1960699SM	5/7	CARRIAGE BOLT, 5/16-18 x 5/8 G5
4	1935048SM	5/7	NUT, Hex Flange 5/16-18 Two-Way Lock
5	1727854ASM	2	SKID, Show Reversible
6	1960711SM	4	CARRIAGE BOLT, 3/8-16 x 3/4 G5
7	1960687SM	4	NUT, Hex Flange 3/8-16 ESNA
8	1665980SM	2	BEARING, Flange
9	1665982ASM	1	BEARING RETAINER
10	1930659SM	3	RETAINER, Nut, 5/16-18
11	1960738SM	3	SCREW, Hex Whiz Lock Flange 5/16-18 x 3/4
12	1729578SM	1	BEARING
13	1663189SM	2	SPACER
14	1668639CSM	2	CAP, Bearing
15	1923325SM	6	CAPSCREW, Hex Head 5/16-18 x 7/8 G5
16	1931277SM	7	NUT, Hex Flange 5/16-18 Whiz Lock
17	1733209SM	1	STICK, Cleanout w/Brush
18	722242	2	CLIP, Retainer
19	2860604SM	2	SCREW, Hex Washer Head Slot #10C x 1-1/4 G2
20	1933896SM	2	NUT, Hex Lock 10-24 w/Nylon Insert
21	724565	2	BLOCK, Universal Pivot
22	1733102CSM	2	CUTTER, Drift w/Tabs -(Used only on 30" & 32")
23	1664847SM	2	SCREW, Hex Washer Head Taptitte 5/16-18 x 3/4 -(Used only on 30" & 32")
24	1732608SM	1	GEAR, 13 Tooth
25	1960684SM	2	NUT, Hex Keps 5/16-18 Conical Washer
26	1732412SM	1	BOLT, Shoulder 5/16-18 x 3/5 G5
27	1925003SM	1	SCREW, Hex Washer Head Taptite 1/4-20 x 1/2
28	1732607SM	1	GEAR, Sector 34 Tooth Powdered Metal
29	1732602ASM	1	SUPPORT, Driver Gear
30	1732227ASM	1	TUBE, Square 1-1/4
31	1732606ASM	1	BRACKET, Gears Support
33	1923701SM	2	CAPSCREW, Hex Head 3/8-16 x 2 G5
34	1733026SM	1	WASHER, Powdered Metal
35	1732238SM	1	CABLE, Chute Brake 40" Long
36	1732017CSM	1	CHUTE ASSEMBLY, Remote Deflector
37	1732837ASM	1	BRACKET, Brake
38	1732308SM	1	ARM & PAD ASSEMBLY, Brake
39	1679554SM	1	SPRING, Extension
40	1923282SM	1	CAPSCREW, Hex Head 1/4-20 x 2-1/2 G5
41	1921978SM	2	CAPSCREW, Hex Head 5/16-18 x 2 G5
42	1923358SM	1	NUT, Hex Centerlock 1/4-20
43	1732231SM	1	ROD, Hex, Chute
44	1722460SM	2	PIN, Quick
45	1732241SM	1	COVER, Chute

Auger Housing & Chute Group

Note: Unless noted otherwise, use the standard torque specifications

Mfg. No: 1694984

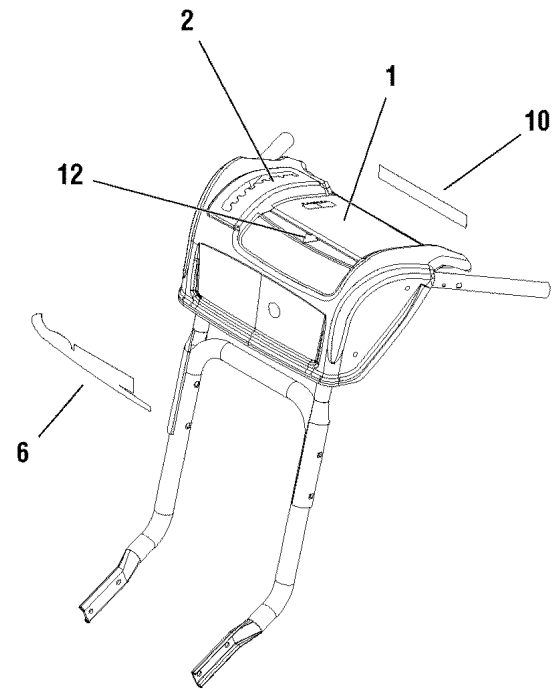
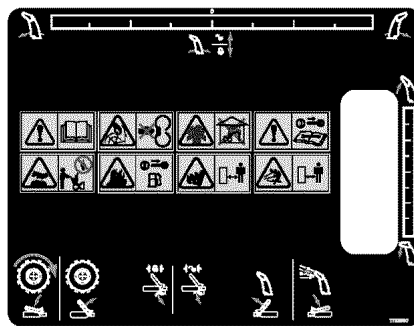
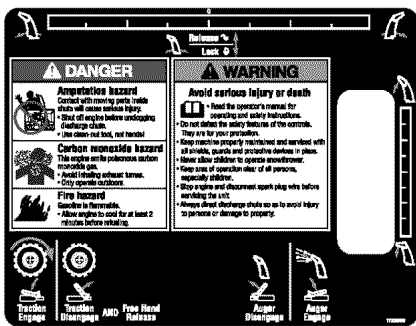
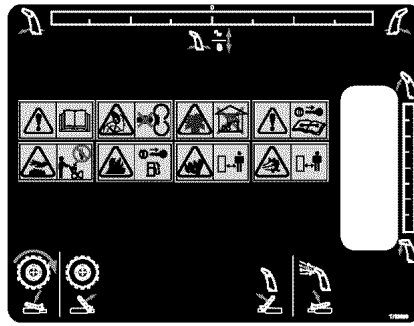
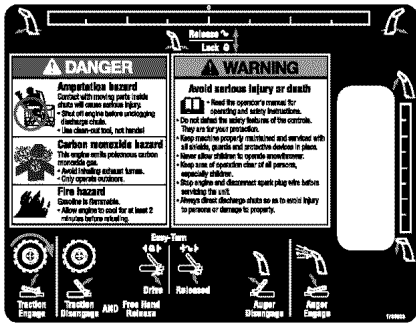


Auger Housing & Chute Group

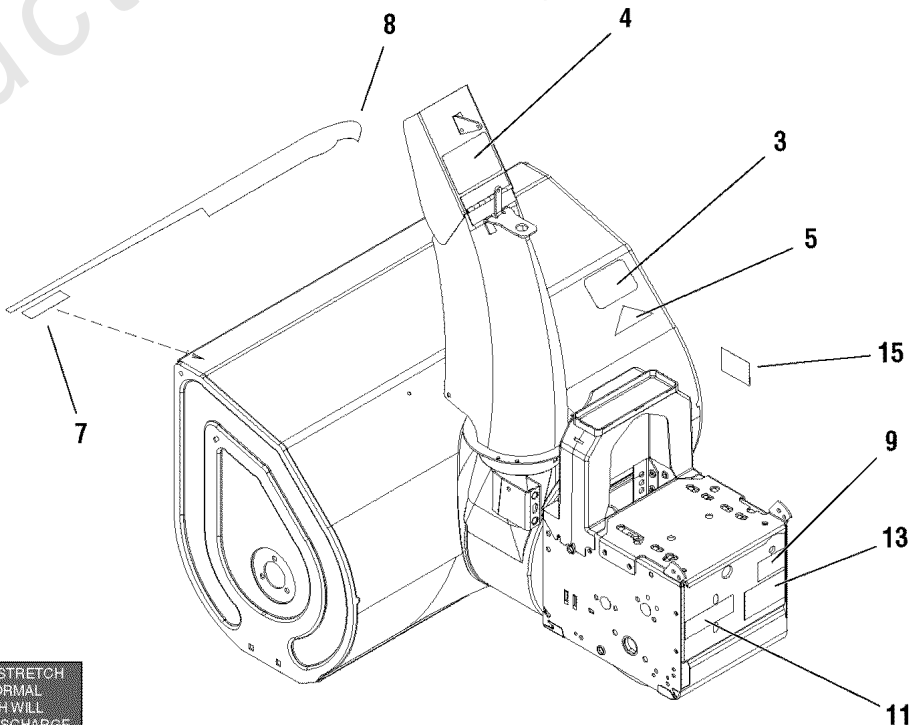
REF NO	PART NO	QTY	DESCRIPTION
53	2860210SM	1	WASHER, Nylon
54	1931333SM	1	CARRIAGE BOLT, 5/16-18 x 3/4 G5
55	1960686SM	1	NUT, Hex Flange 5/16-18 ESNA
56	1733455SM	1	SPRING, Extension
58	696239SM	1	KNOB & SCREW ASSEMBLY, 10-24 x 3/5
59	1931942SM	2	NUT, Push Pal 3/8
60	1932718SM	1	NUT, Push for 5/16 Diameter Stud Capped
61	1960593SM	1	NUT, Retainer Speed #10-24 w/Extrusion
62	1960680SM	2	NUT, Hex Keps, 3/8-16 Conical Washer
64	1706085SM	1	DECAL, Orange Strip for Chute Hinge
70	1733849SM	1	DECAL, Orange Chute Hinge

Not For
Reproduction

(DOM) 1 (CE/Export)



(DOM) 2 (CE)



IMPORTANT
OVER ADJUSTMENT OF FRICTION DISK WILL RESULT IN PERMANENT DAMAGE TO THE DRIVE TRAIN
NOT WARRANTED

⚠ WARNING
Required maintenance
The lubrication points shown here must be lubricated with 30 weight oil every 10 hours of operation, and before using the unit after storage. Failure to lubricate may cause a malfunction of the safety system.

V-BELTS STRETCH UNDER NORMAL USE WHICH WILL AFFECT DISCHARGE PERFORMANCE AND SHOULD BE PERIODICALLY ADJUSTED. REFER TO MANUAL FOR INSTRUCTIONS.



9

10

12

15

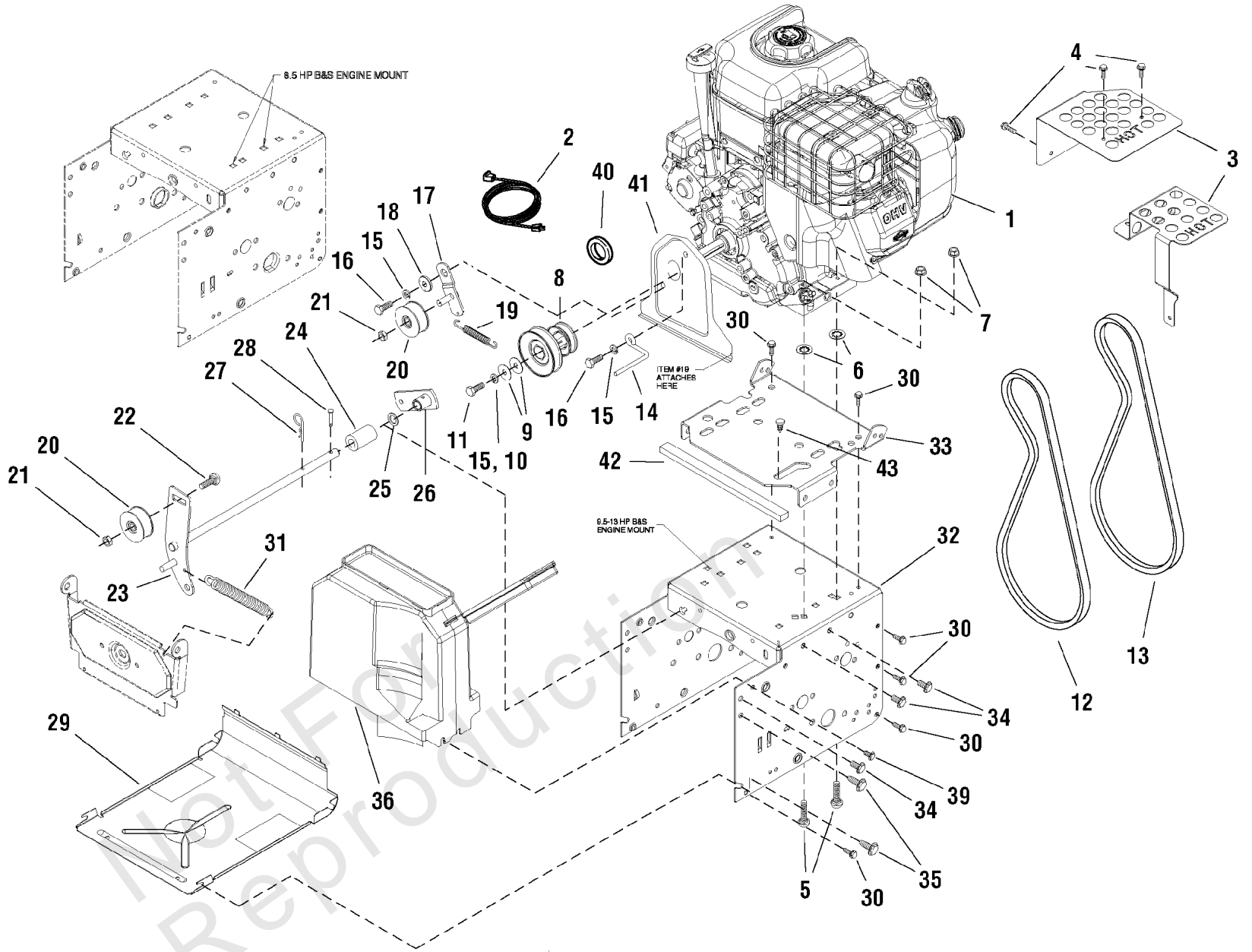
Decal Group

REF NO	PART NO	QTY	DESCRIPTION
1	1733056SM	1	DECAL, Dashboard Standard Drive -(Domestic Only)
1	1733033SM	1	DECAL, Dashboard EZ Turn -(Domestic Only)
1	1733059SM	1	DECAL, Dashboard Standard Drive -(CE/Export Only)
1	1733060SM	1	DECAL, Dashboard EZ Turn -(CE/Export Only)
2	1733772SM	1	DECAL, Shift 1,2,3,4,5,6 R1 R2
3	1716532SM	1	DECAL, Danger Avoid Injury From Auger -(Domestic Only)
3	1727208SM	1	DECAL, Impeller Warning -(CE/Export Only)
4	1733057SM	1	DECAL, Danger Amputation Hazard -(Domestic Only)
4	1727207SM	1	DECAL, Chute Warning -(CE/Export Only)
5	1733156	1	DECAL, Opei Certified ANSI -(Domestic Only)
6	1733199SM	1	DECAL, SMI Dash Swoosh
7	1733195SM	1	DECAL, SMI 9528L
7	1733194SM	1	DECAL, SMI 8526L
7	1733196SM	1	DECAL, SMI 10530L
7	1733197SM	1	DECAL, SMI 11532L
8	1733246SM	1	DECAL, SMI Stripe 27.07 Long
8	1733247SM	1	DECAL, SMI Stripe 25.09 Long
8	1733245SM	1	DECAL, SMI Stripe 29.00 Long
8	1733244SM	1	DECAL, SMI Stripe 31.00 Long
9	728183	1	DECAL, Over Adjustment of Friction Disc -(Domestic Only)
10	1733526SM	1	DECAL, Warning Lubrication -(Domestic Only)
11	1720454SM	1	DECAL, Touch Up Paint Orange, Black, Red
12	1733443SM	1	DECAL, Chute Release Arrow
13		1	DECAL, ID Plate
15	725432	1	DECAL, Belt Stretch & Adjustment -(Domestic Only)

Engine & Frame Group - Domestic Models

Note: Unless noted otherwise, use the standard torque specifications

Mfg. No: 1694984



Engine & Frame Group - Domestic Models

REF NO	PART NO	QTY	DESCRIPTION
1		1	ENGINE, 8.5HP Briggs & Stratton - Model #15A1140116E1
1		1	ENGINE, 9.5HP Briggs & Stratton - Model #20A4140115E1
1		1	ENGINE, 10.5HP Briggs & Stratton - Model #20E2140111E1
1		1	ENGINE, 11.5HP Briggs & Stratton - Model #21C2140112E1
2	1724064SM	1	CORD, Electric Start
3	7300133ASM	1	GUARD, Muffler -(Used only on 8.5HP Models)
3	1725664ASM	1	GUARD, Muffler -(Used only on 9.5HP, 10.5HP & 11.5HP Models)
4	1929477SM	3	SCREW, Hex Washer Head Taptite #10C x 1/2
5	720064	4	CARRIAGE BOLT, 5/16-18 x 1-1/2
6	2720376SM	4	NUT, Speed
7	1931277SM	1	NUT, Hex Flange 5/16-18 Whiz Lock
7	1960686SM	3	NUT, Hex Flange 5/16-18 ESNA
8	722085	1	PULLEY, Engine
9	1919381SM	2	WASHER, 5/16-1 -(Used only on 8.5HP Models)
9	1922755SM	2	WASHER, 3/8 -(Used only on 9.5HP, 10.5HP & 11.5HP Models)
10	1916965SM	1	LOCKWASHER, Spring 3/8
11	1921982SM	1	CAPSCREW, Hex Head 5/16-24 x 1-1/4 G8 -(Used only on 8.5HP Models)
11	1960428SM	1	CAPSCREW, Hex Head 3/8-24 x 1-1/4 G8 -(Used only on 9.5HP, 10.5HP & 11.5HP Models)
12	1733324SM	1	V-BELT, 3L 33.13 Drive
13	1733051SM	1	V-BELT, 4L 36.5 Auger -(Used only on 8.5HP & 9.5HP Models)
13	1733507SM	1	V-BELT, 4L 38.5 Auger -(Used only on 10.5HP & 11.5HP Models)
14	1733014SM	1	STOP, Belt
15	1917356SM	2	LOCKWASHER, Spring 5/16
16	1921515SM	2	CAPSCREW, Hex Head 5/16-24 x 3/4 G5
17	722090	1	IDLER BRACKET ASSEMBLY, Drive Belt
18	722072	1	BUSHING, Idler Bracket
19	724418	1	SPRING, Extension Idler
20	722378	2	IDLER, Plastic Ball Bearing
21	1960251SM	2	NUT, Hex Centerlock Jam 3/8-16
22	724823	1	CARRIAGE, 3/8-16 x 1-1/4
23	1733055SM	1	IDLER ASSEMBLY, Auger -(Used only on 8.5HP & 9.5HP Models)
23	722132	1	IDLER ASSEMBLY, Auger -(Used only on 10.5HP & 11.5HP Models)
24	722118	1	SPACER/AUGER BRACKET
25	1960027SM	1	WASHER, 1/2
26	1733626SM	1	BRACKET & HUB ASSEMBLY, Spring Attached
27	725367	1	PIN, Hair
28	725675	1	PIN, Clevis
29	722067ASM	1	PANEL, Bottom
30	1927429SM	12	SCREW, Hex Washer Head Taptite 1/4-20 x 5/8
31	722455	1	SPRING, Extension Auger Idler
32	722061C	1	FRAME, Standard Turn Axle -(Used only on 8.5HP Models)

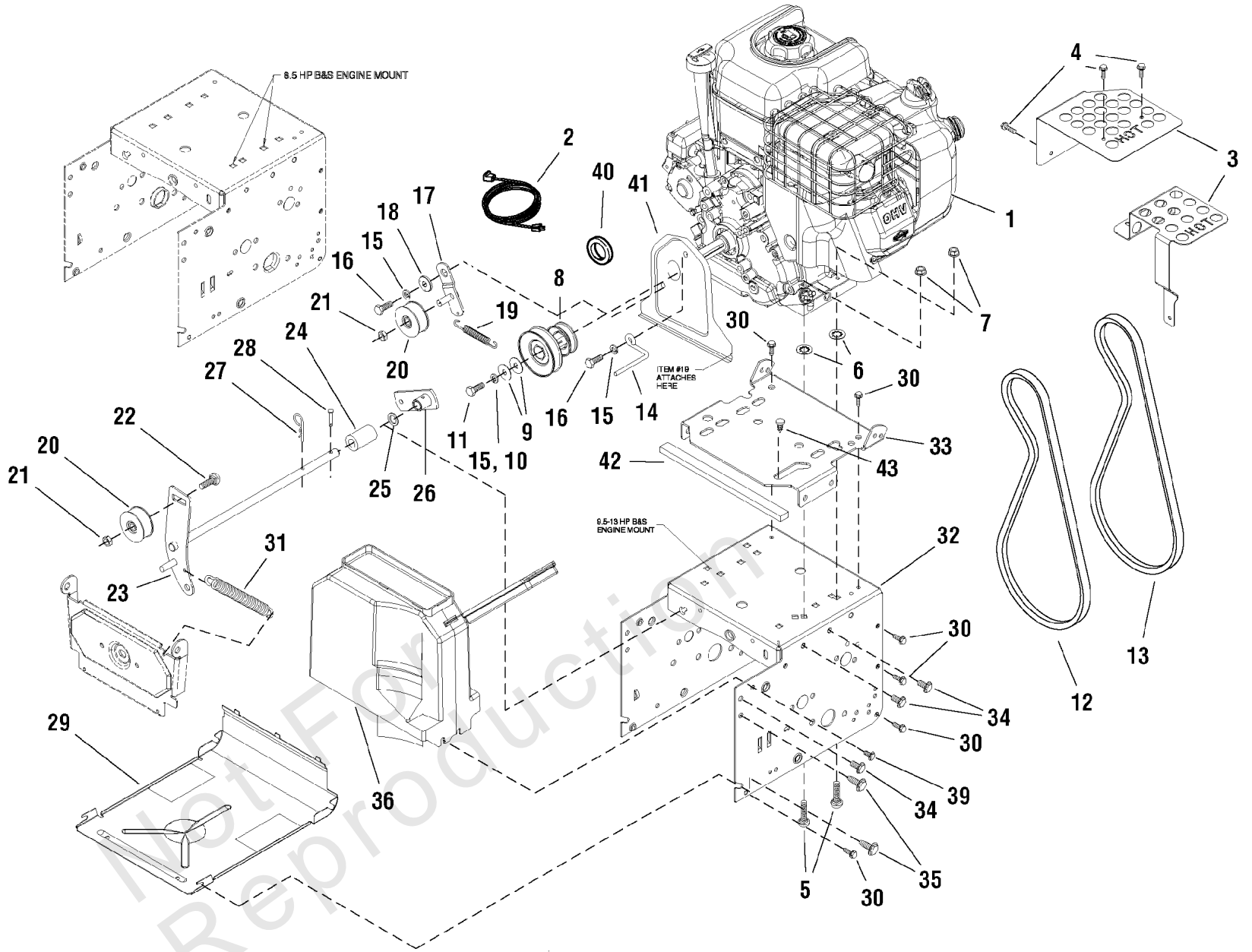
Footnotes:

Note:* See your local Briggs & Stratton distributor for parts & service.

Engine & Frame Group - Domestic Models

Note: Unless noted otherwise, use the standard torque specifications

Mfg. No: 1694984



Engine & Frame Group - Domestic Models

REF NO	PART NO	QTY	DESCRIPTION
32	1733154CSM	1	FRAME, EZ Turn Axle -(Used only on 9.5HP, 10.5HP & 11.5HP Models)
33	1733583CSM	1	ENGINE MOUNT
34	1924856SM	4	SCREW, Hex Washer Head Taptite 5/16-18 x 1/2
35	1664847SM	6	SCREW, Hex Washer Head Taptite 5/16-18 x 3/4
36	1732486SM	1	COVER, Belt w/Toolbox
39	722887	2	SCREW, 1/4-AB x 3/4 Hex
40	1733898SM	1	SHAFT, Seal
41	1733868ASM	1	SEAL, Plate
42	1733897SM	1	SEAL, Strip
43	1733924SM	1	CLIP, Pine Tree

Not For
Reproduction

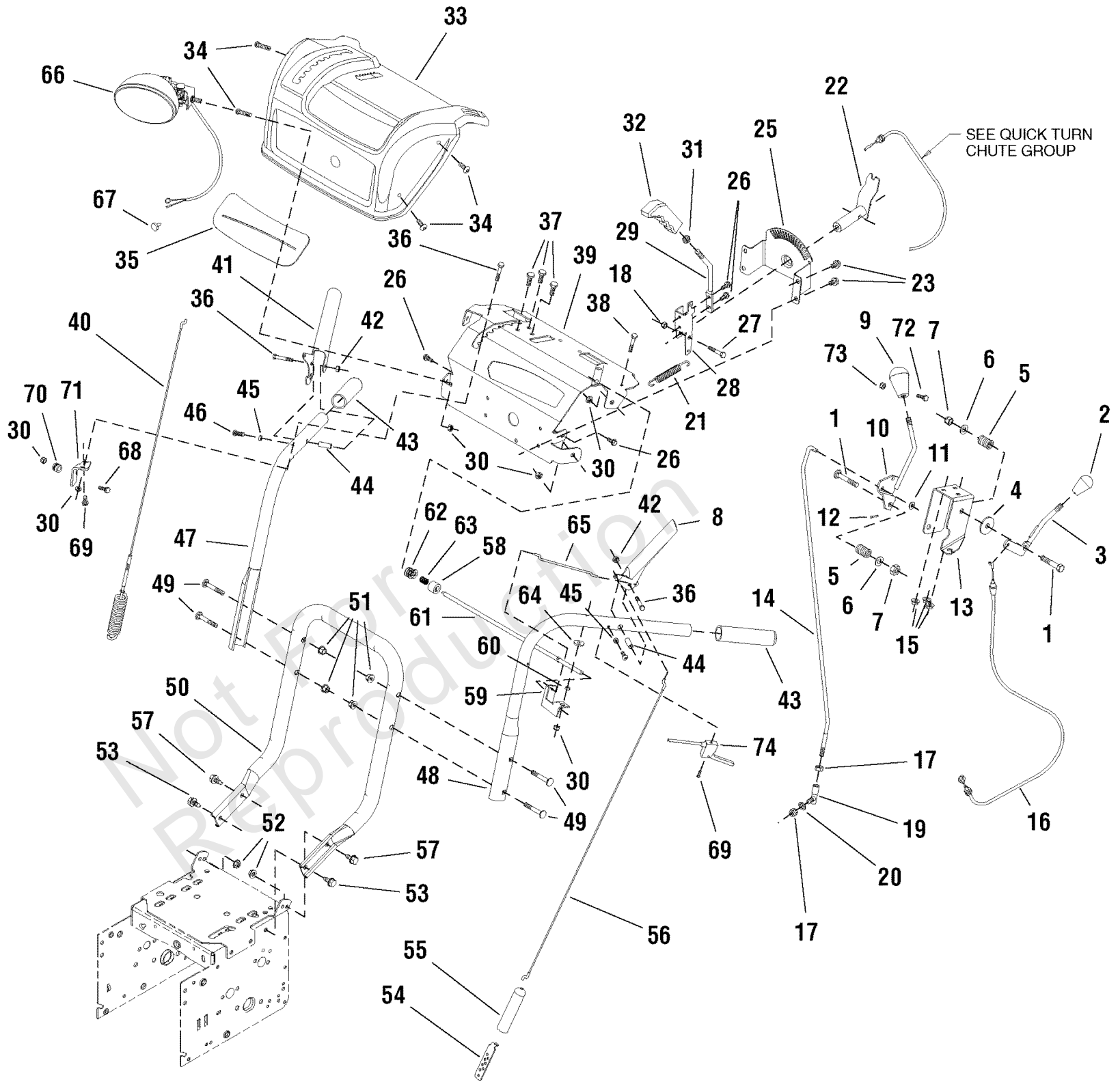
Footnotes:

Note:* See your local Briggs & Stratton distributor for parts & service.

Handles & Controls Group

Note: Unless noted otherwise, use the standard torque specifications

Mfg. No: 1694984



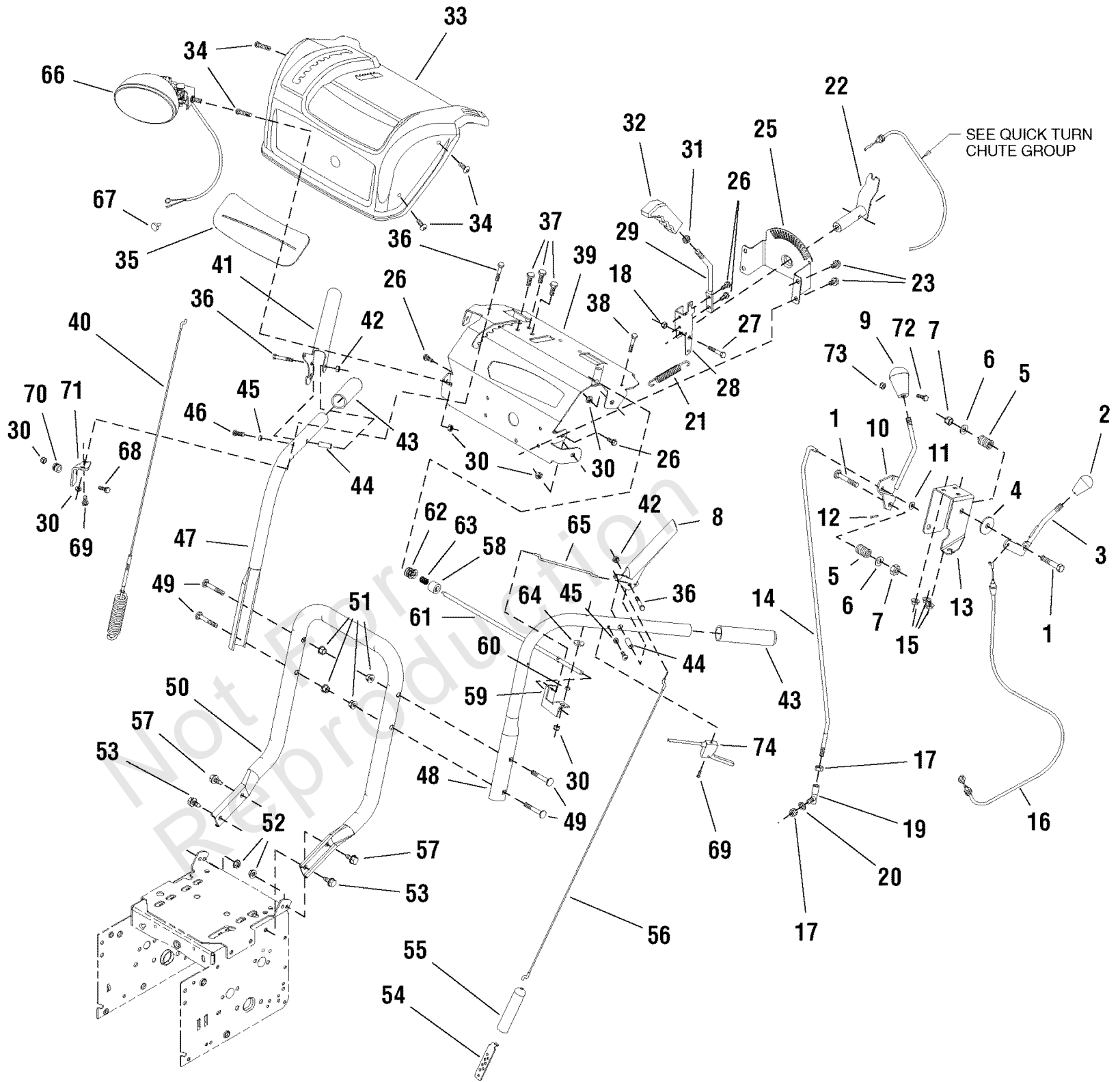
Handles & Controls Group

REF NO	PART NO	QTY	DESCRIPTION
1	1923701SM	2	CAPSCREW, Hex Head 3/8-16 x 2 G5
2	1732470SM	1	KNOB, Interior Thread 3/8-16
3	1732427SM	1	ROD, Chute
4	1924356SM	1	WASHER, 3/8
5	724361	2	SPRING
6	1918266SM	2	WASHER, 3/8
7	1919439SM	2	NUT, Hex Lock ESNA Light 3/8-16NC3B
8	1722667SM	1	GRIP, Clutch, L.H.
9	1733192SM	1	KNOB, Slot Speed
10	1733205SM	1	ROD & PLATE ASSEMBLY, Speed Control
11	1919326SM	1	WASHER, 5/16
12	1918447SM	1	COTTER PIN
13	1733045ASM	1	BRACKET, Trac & Deflector Control
14	1732531SM	1	ROD, 5/16-24 x 1.27
15	1931277SM	3	NUT, Hex Flange 5/16-18, Whiz Lock
16	1732971SM	1	CABLE, Deflector Control
17	2820263SM	2	NUT, Hex 5/16-24
18	1960608SM	1	NUT, Hex Flange 1/4-20 Centerlock
19	724360	1	BALLJOINT, Steel
20	1917356SM	1	LOCKWASHER, Spring 5/16
21	1732970SM	1	SPRING, Extension
22	1732365SM	1	TUBE & BRACKET ASSEMBLY, Cable Support
23	1924856SM	4	SCREW, Hex Washer Head Taptite 5/16-18 x 1/2
25	1732364SM	1	SUPPORT, Chute Control
26	1927429SM	4	SCREW, Hex Washer Head Taptite 1/4-20 x 5/8
27	1732944SM	1	BOLT, Shoulder 1/4-20
28	1733142SM	1	BRACKET, Support Quick Turn
29	1732369SM	1	ROD, Chute, 3/8-16 x 1
30	1920397SM	6	NUT, Hex Lock ESNA Light 1/4-20 NC3B
31	1917421SM	1	NUT, Hex Jam 3/8-16 NC2B
32	723122	1	GRIP, Lever 3/8-16 Long
33	1733777CSM	1	COVER, Panel
34	1960715SM	3	SCREW, Truss Head Torx Drive 1/4-20 x 3/4
35	1733204SM	1	BELLOWS, Black Rubber Quick Turn
36	1922837SM	3	CAPSCREW, Hex Head 1/4-20 x 1-1/2 G5
37	1931333SM	3	CARRIAGE BOLT, 5/16-18 x 3/4 G5
38	1921962SM	1	CAPSCREW, Hex Head 1/4-20 x 1-3/4 G5
39	1732064ASM	1	SUPPORT, Dash Panel Cover
40	1732471SM	1	CABLE & SPRING ASSEMBLY, Auger Drive R.H.
41	1722638SM	1	GRIP, Clutch, R.H.
42	1923358SM	2	NUT, Hex Centerlock 1/4-20
43	1726317SM	2	GRIP
44	1715655SM	2	SPACER
45	1678392SM	2	SPACER
46	1960556SM	2	SCREW, Pan Head Torx 1/4-20 x 3/4 Taptite
47	1732783ASM	1	HANDLE, Upper R.H. Tubular
48	1732782ASM	1	HANDLE, Upper L.H. Tubular
49	1960723SM	4	CARRIAGE BOLT, 5/16-18 x 2-1/4 G5
50	1732781ASM	1	HANDLE, Lower Tubular
51	1960686SM	4	NUT, Hex Flange 5/16-18 ESNA
52	1935048SM	2	NUT, Hex Flange 5/16-18 Two-Way Lock

Handles & Controls Group

Note: Unless noted otherwise, use the standard torque specifications

Mfg. No: 1694984



Handles & Controls Group

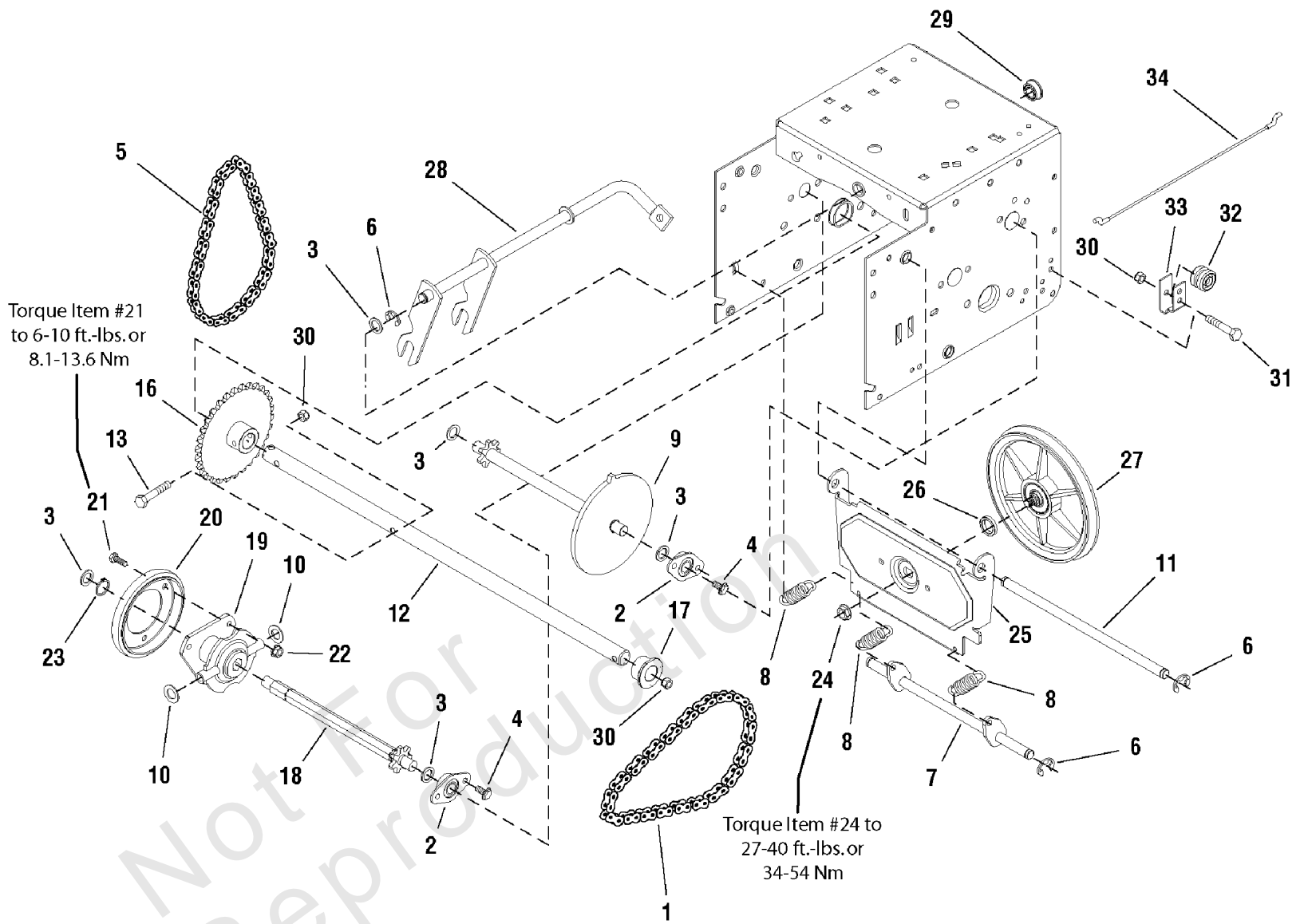
REF NO	PART NO	QTY	DESCRIPTION
53	1664847SM	2	SCREW, Hex Washer Head Taptite 5/16-18 x 3/4
54	723259	1	BRACKET, Cable Adjusting
55	723154	1	BOOT, Control Spring
56	727331	1	CABLE, Front Drive
57	1921333SM	2	CAPSCREW, Hex Head 5/16-18 x 1 G5
58	1679166SM	1	SPACER
59	1733505ASM	1	BRACKET, Free Hand Control
60	1733095SM	1	SPACER, Powdered Metal
61	1733509SM	1	ROD & SPRING ASSEMBLY W/ PIN
62	1960027SM	4	WASHER, 1/2
63	2108360SM	1	SPRING, Compression
64	1960353SM	1	WASHER, 1/4
65	1722630SM	1	ROD, Hold Down
66	1732321SM	1	HEADLIGHT ASSEMBLY, Oval Amber
67	1704351SM	10	FASTENER, Panel
68	1931320SM	2	CARRIAGE BOLT, 1/4-20 x 1-1/4 G5
69	1725702SM	2	SCREW, Pan Head Torx #10 x 1/2
70	724621	1	SPOOL CABLE, Auger Control
71	1733481ASM	1	BRACKET, Spout Cable
72	1960589SM	1	SCREW, Round Head Phillips #10-24 x 3/4
73	1933896SM	1	NUT, Hex Lock 10-24 w/Nylon Insert
74	1718791SM	1	CABLE & HANDLE ASSEMBLY

Not For
Reproduction

Traction Drive Group - Standard

Note: Unless noted otherwise, use the standard torque specifications

Mfg. No: 1694984



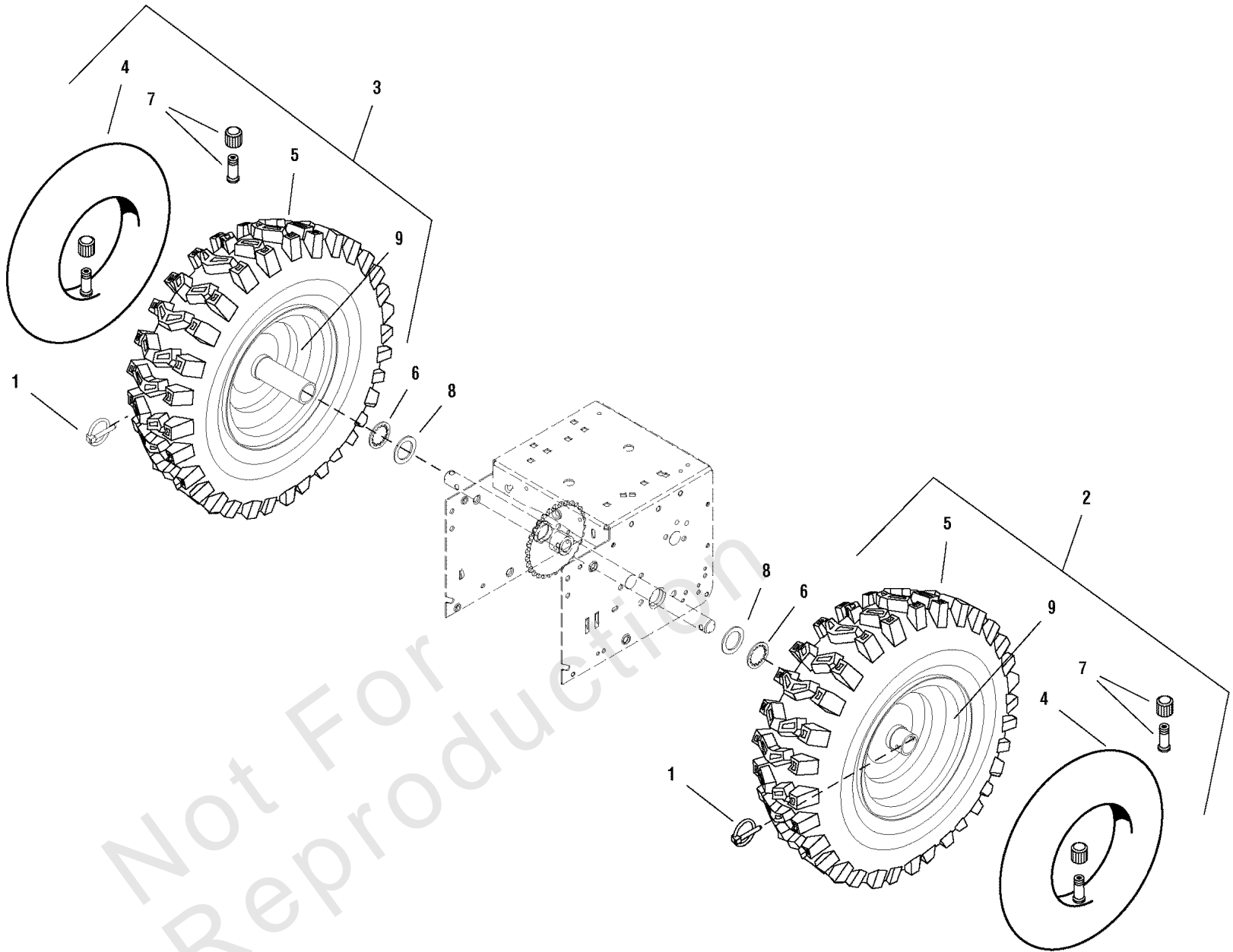
Traction Drive Group - Standard

REF NO	PART NO	QTY	DESCRIPTION
1	579851MA	1	CHAIN, Roller
2	334163MA	4	RETAINER & BUSHING ASSEMBLY
3	579858MA	5	WASHER
4	1924856SM	8	SCREW, Hex Washer Head Taptite 5/16-18 x 1/2
5	579868MA	1	CHAIN, Roller
6	11X30MA	5	RETAINER, Ring 7/16
7	1502105YZMA	3	SPRING LINK ASSEMBLY STANDARD
8	165X112MA	1	SPRING, Extension
9	1501090MA	2	SPROCKET, Set
10	1960027SM	1	WASHER, 1/2
11	1501092YZMA	1	AXLE, Swing Plate
12	1501563MA	1	AXLE
13	01X193MA	1	BOLT, Hex 1/4-20 x 1-3/4
16	1501089MA	2	SPROCKET, Axle
17	1501114MA	1	BEARING, Axle D-Hole
18	1501100MA	1	HEX SHAFT & SPROCKET ASSEMBLY
19	337029MA	1	HUB, Friction Wheel & Bearing
20	1501435MA	3	WHEEL, Friction
21	1921959SM	3	CAPSCREW, Hex Head 1/4-20 x 5/8 G5
22	2828372SM	1	NUT, Hex KEPS 1/4-20
23	579859MA	1	RING, Retaining, Extension
24	15X114MA	1	NUT, FlangeLock 38-24
25	1501057YZMA	1	PLATE, Swining
26	1501158MA	1	SPACER, Friction Pulley
27	1501115MA	1	FRICITION PULLEY ASSEMBLY
28	1501110YZMA	1	SPEED SELECT ASSEMBLY
29	579944MA	2	BEARING, Flange
30	1920397SM	1	NUT, Hex Lock ESNA Light 1/4-20
31	1922837SM	1	CAPSCREW, Hex Head 1/4-20 x 1-1/2 G5
32	579860MA	1	SPOOL CABLE, Auger Control
33	1501059YZMA	1	BRACKET, Cable Spool
34	1501122MA	1	CABLE, Front Drive Lower All

Wheel & Tire Group

Note: Unless noted otherwise, use the standard torque specifications

Mfg. No: 1694984



Wheel & Tire Group

REF NO	PART NO	QTY	DESCRIPTION
1	1731186SM	2	PIN, Klik .313 x 1.97 -(Used on 26" Models)
1	1679697SM	2	PIN, Klik 1/4 x 1-3/4 -(Used on 28", 30" & 32" Models)
2	1732935SM	2	WHEEL & TIRE ASSEMBLY, 15 x 5 L.H & R.H. -(Used on 26" Models)
2	1723169SM	1	WHEEL & TIRE ASSEMBLY, 15 x 5 L.H. -(Used on 28" Models)
2	1714235SM	1	WHEEL & TIRE ASSEMBLY, 16 x 4.8 L.H. -(Used on 30" & 32" Models)
3	1732935SM	2	WHEEL & TIRE ASSEMBLY, 15 x 5 L.H & R.H. -(Used on 26" Models)
3	1733089SM	1	WHEEL & TIRE ASSEMBLY, 15 x 5 R.H. -(Used on 28" Models)
3	1720306SM	1	WHEEL & TIRE ASSEMBLY, 16 x 4.8 R.H. -(Used on 30" & 32" Models)
4	1664090SM	1	TUBE, Tire 4.10/3.50-6 L.H. -(Used on 28" Models)
4	2153038SM	1	TUBE, Tire 4.80/4.00 L.H. & R.H. -(Used on 30" & 32" Models)
5	1723287SM	1	TIRE, 15 x 5.00-6, 2 PLY, KENDA L.H. -(Used on 28" Models)
5	1612000SM	1	TIRE, 4.80/4.00-8 L.H. & R.H. -(Used on 30" & 32" Models)
6	1657528SM	2	RETAINING RING, Extension, #75 3/4 Self Lock -(Used on 26" Models)
7	2172353SM	1	VALVE STEM & CAP -(Used on All Models)
8	712120MA	2	WASHER, Flat -(Used on 26" Models)
9	1723286SM	1	HUB, Wheel L.H. -(Used on 28" Models)
9	1714242SM	1	HUB, Wheel R.H., 3-3/4 Wide 8 Diameter 3/4 ID -(Used on 30" & 32" Models)
9	1720307SM	1	HUB, Wheel 3.75 Wide 8. R.H. -(Used on 30" & 32" Models)

Hardware Identification & Torque Specifications

Torque Specification Chart								
FOR STANDARD METRIC MACHINE HARDWARE (Tolerance ± 20%)								
Property Class	5.6		8.8		10.9		12.9	
	Class 5.6		Class 8.8		Class 10.9		Class 12.9	
Size Of Hardware	in/lbs	Nm.	in/lbs	Nm.	in/lbs	Nm.	in/lbs	Nm.
	ft/lbs		ft/lbs		ft/lbs		ft/lbs	
M3	5.88	.56	13.44	1.28	19.2	1.80	22.92	2.15
M4	13.44	1.28	30.72	2.90	43.44	4.10	52.56	4.95
M5	26.4	2.50	60.96	5.75	5.97	8.10	7.15	9.7
M6	44.64	4.3	7.3	9.9	10.3	14	12.1	16.5
M7	5.2	7.1	12.1	16.5	16.9	23	19.9	27
M8	7.7	10.5	17.7	24	25	34	29	40
M10	15	21	35	48	50	67	59	81
M12	26	36	61	83	86.2	117	103	140
M14	42	58	101	132	136	185	162	220
M16	64	88	147	200	210	285	250	340
M18	89	121	202	275	287	390	346	470
M20	126	171	290	390	405	550	486	660
M22	169	230	390	530	559	745	656	890
M24	217	295	497	375	708	960	840	1140
M27	320	435	733	995	1032	1400	1239	1680
M30	435	590	995	1350	1401	1900	1681	2280
M33	590	800	1349	1830	1902	2580	2278	3090
M36	759	1030	1740	2360	2441	3310	2935	3980
M39	988	1340	2249	3050	3163	4290	3798	5150

Torque Specification Chart						
FOR STANDARD MACHINE HARDWARE (Tolerance ± 20%)						
Hardware Grade	No Marks		SAE Grade 5		SAE Grade 8	
	SAE Grade 2		SAE Grade 5		SAE Grade 8	
Size Of Hardware	in/lbs	Nm.	in/lbs	Nm.	in/lbs	Nm.
	ft/lbs		ft/lbs		ft/lbs	
8-32	19	2.1	30	3.4	41	4.6
8-36	20	2.3	31	3.5	43	4.9
10-24	27	3.1	43	4.9	60	6.8
10-32	31	3.5	49	5.5	68	7.7
1/4-20	66	7.6	8	10.9	12	16.3
1/4-28	76	8.6	10	13.6	14	19.0
5/16-18	11	15.0	17	23.1	25	34.0
5/16-24	12	16.3	19	25.8	29	34.0
3/8-16	20	27.2	30	40.8	45	61.2
3/8-24	23	31.3	35	47.6	50	68.0
7/16-14	30	40.8	50	68.0	70	95.2
7/16-20	35	47.6	55	74.8	80	108.8
1/2-13	50	68.0	75	102.0	110	149.6
1/2-20	55	74.8	90	122.4	120	163.2
9/16-12	65	88.4	110	149.6	150	204.0
9/16-18	75	102.0	120	163.2	170	231.2
5/8-11	90	122.4	150	204.0	220	299.2
5/8-18	100	136	180	244.8	240	326.4
3/4-10	160	217.6	260	353.6	386	525.0
3/4-16	180	244.8	300	408.0	420	571.2
7/8-9	140	190.4	400	544.0	600	816.0
7/8-14	155	210.8	440	598.4	660	897.6
1-8	220	299.2	580	788.8	900	1,244.0
1-12	240	326.4	640	870.4	1,000	1,360.0

The guides and ruler furnished below are designed to help you select the appropriate hardware.



Nut, M8

Thread Diameter (mm)

Inside Diameter (in) Threads per inch

Nut, 1/2-16



Screw, M8- 1.25 x 25

Thread Diameter (mm) Distance between threads (mm) Body Length (mm)

Body Diameter Threads per inch Body Length (in)

Screw, 1/2- 16 x 2



Standard Hardware Sizing

When a washer or nut is identified as 1/2" (M8), this is the *Nominal size*, meaning the *inside diameter* is 1/2 inch (8mm metric thread diameter); if a second number is present it represents the *threads per inch* (distance between threads).

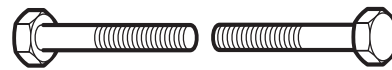
When bolt or capscrew is identified as 1/2 - 16 x 2" (M8 - 1.25 x 50), this means the *Nominal size*, or body diameter is 1/2 inch (8mm metric thread diameter), the second number, 16, represents the *threads per inch*, (*distance between threads*). The final number is the body length of the bolt or screw, 2 inches (50mm).

NOTES

- These torque values are to be used for all hardware excluding: locknuts, self-tapping screws, thread forming screws, sheet metal screws and socket head setscrews.
- Recommended seating torque values for locknuts:
 - for prevailing torque locknuts - use 65% of grade 5 torques.
 - for flange whizlock nuts and screws - use 135% of grade 5 torques.
- Unless otherwise noted on assembly drawings, all torque values must meet this specification.

Common Hardware Types

Hex Head Capscrew



Washer



Carriage Bolt



Hex Nut

Wrench & Fastener Size Guide

1/4" Bolt or Nut Wrench—7/16"	5/16" Bolt or Nut Wrench—1/2"	3/8" Bolt or Nut Wrench—9/16"	7/16" Bolt or Nut Wrench (Bolt)—5/8" Wrench (Nut)—11/16"	1/2" Bolt or Nut Wrench—3/4"
M6 Bolt or Nut Wrench—10mm	M8 Bolt or Nut Wrench—13mm	M10 Bolt or Nut Wrench—17mm	M12 Bolt or Nut Wrench—19mm	M14 Bolt or Nut Wrench—22mm

