



Parts Manual

Mfg. No: 1696257-00
BP2132SE, B&S 21TP 32" Dual Stage

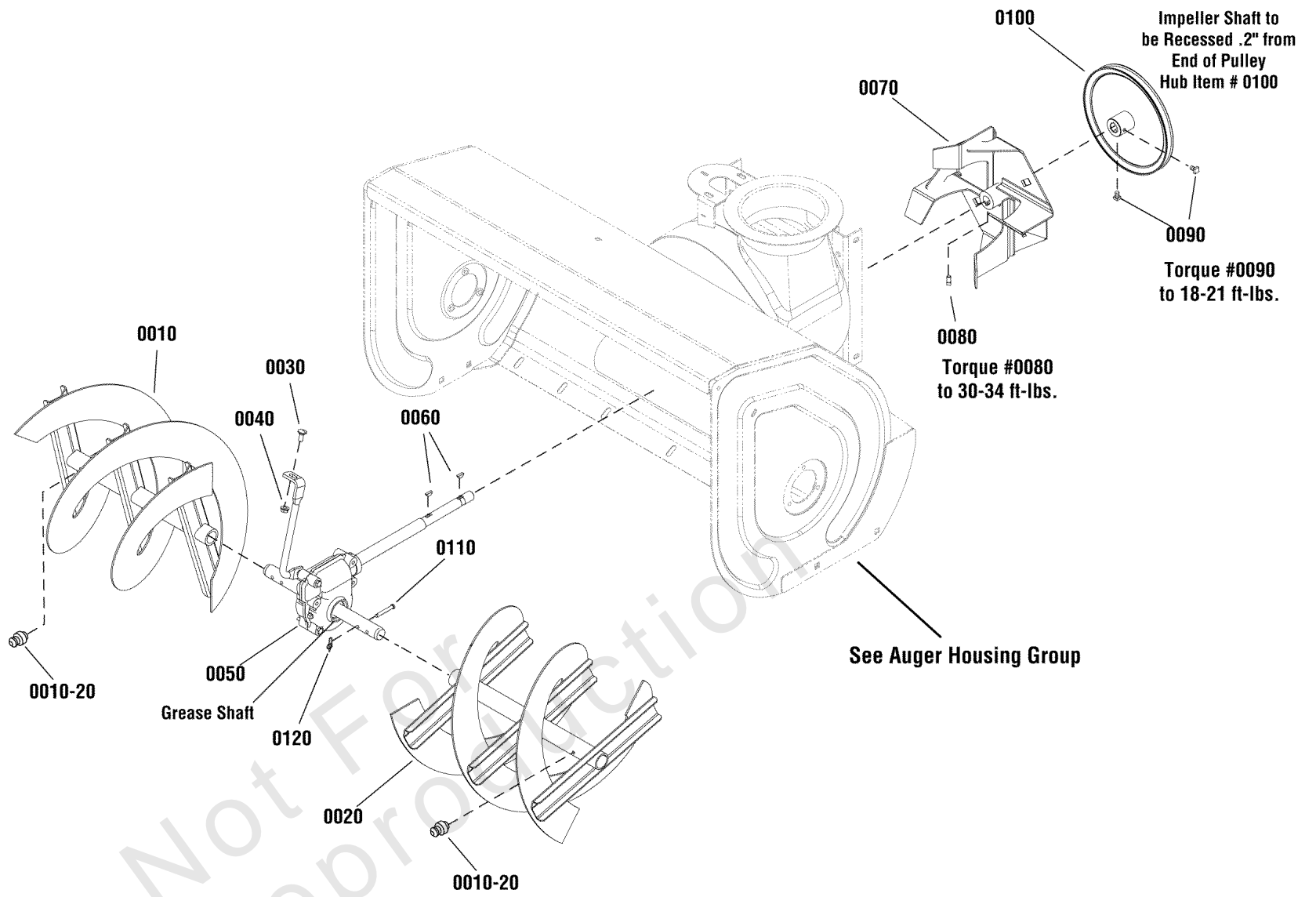
| Model Components | Page |
|-----------------------------------|-------------|
| Auger Drive Group..... | 4 |
| Auger Housing Group..... | 6 |
| Decals Group..... | 8 |
| Discharge Chute Group..... | 10 |
| Engine & Frame Group - 21TP..... | 12 |
| Gear Case Assembly (1732303)..... | 16 |
| Handle & Controls Group..... | 18 |
| Traction Drive Group..... | 22 |
| Wheels and Tires Group..... | 26 |
| Torque Specification Chart..... | 28 |

Not For
Reproduction

Auger Drive Group

Note: Unless noted otherwise, use the standard torque specifications

Mfg. No: 1696257-00



Auger Drive Group

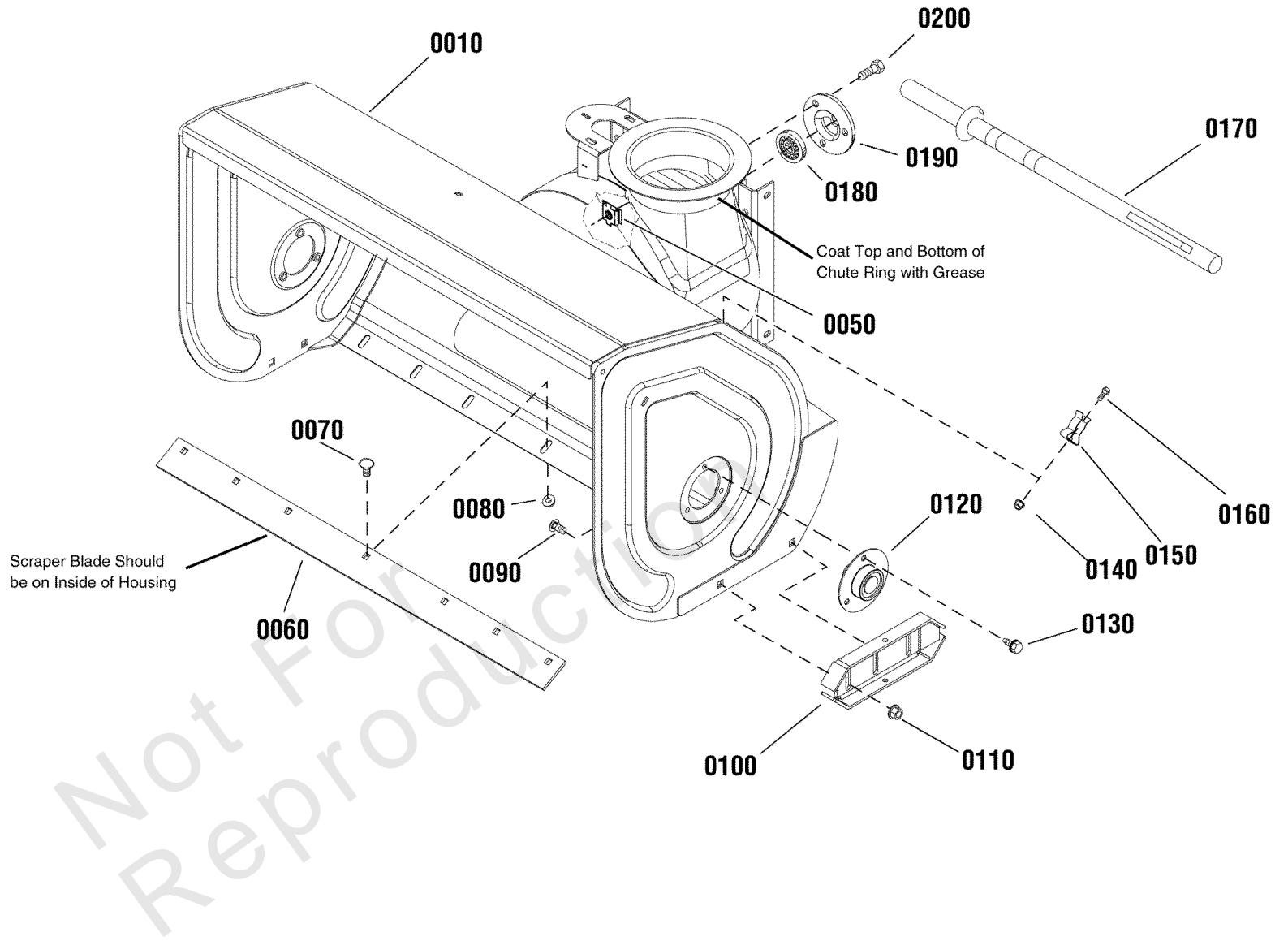
| REF NO | PART NO | QTY | DESCRIPTION |
|---------|-------------|-----|---|
| 0010 | 1734678BJYP | 1 | AUGER ASSEMBLY, R.H. |
| 0020 | 1734677BJYP | 1 | AUGER ASSEMBLY, L.H. |
| 0010-20 | 2821133SM | 2 | FITTING, Grease |
| 0030 | 1931333SM | 1 | BOLT, Carriage, Short Neck, 5/16-18 x 3/4, G5 |
| 0040 | 1931277SM | 1 | NUT, Hex Flange, Whiz Lock, 5/16-18 |
| 0050 | 1732303SM | 1 | GEAR BOX ASSEMBLY |
| 0060 | 431787MA | 2 | KEY, Woodruff |
| 0070 | 1612187BJYP | 1 | IMPELLER |
| 0080 | 1960474SM | 1 | SCREW, Set, 3/8-16 x 1/2, G8 |
| 0090 | 1928721SM | 2 | SCREW, Set, 5/16-18 x 1/2, G8 |
| 0100 | 1732468SM | 1 | PULLEY |
| 0110 | 1739295YP | 2 | PIN, Shear |
| 0120 | 1739292YP | 2 | PIN, Bow Tie, Cotter |

Not For
Reproduction

Auger Housing Group

Note: Unless noted otherwise, use the standard torque specifications

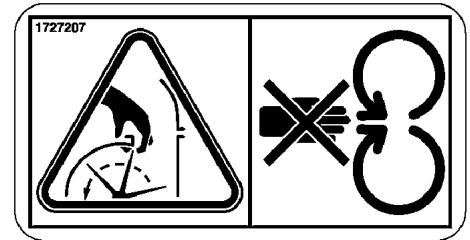
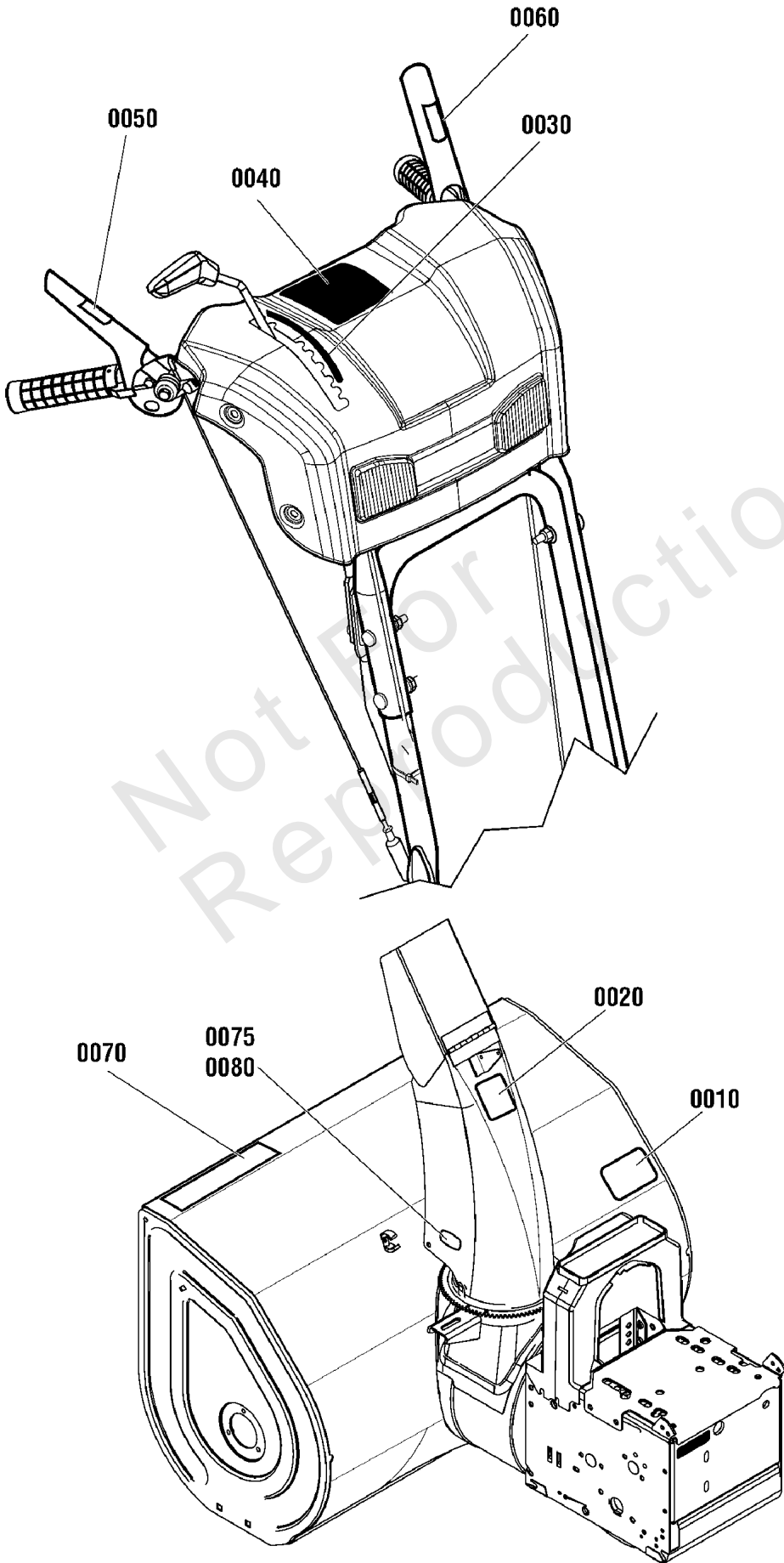
Mfg. No: 1696257-00



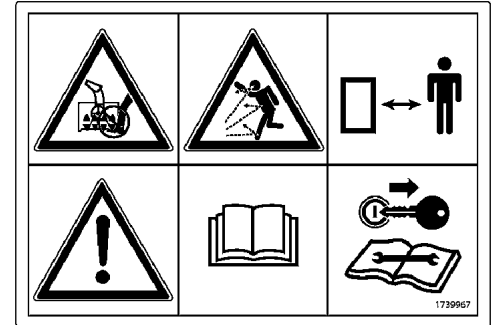
Auger Housing Group

| REF NO | PART NO | QTY | DESCRIPTION |
|--------|-------------|-----|--|
| 0010 | 1687689YP | 1 | AUGER HOUSING ASSEMBLY, 32" |
| 0050 | 1930659SM | 3 | RETAINER, Nut, 5/16-18 |
| 0060 | 1709948BMYP | 1 | BLADE, Scraper, 32" |
| 0070 | 340720MA | 7 | BOLT, Carriage, 5/16-18 x 3/4 |
| 0080 | 1935048SM | 7 | NUT, Hex Flange Two Way Lock, 5/16-18 |
| 0090 | 1960702SM | 4 | BOLT, Carriage, 3/8-16 x 1 |
| 0100 | 1725747BMYP | 2 | SHOE, Skid |
| 0110 | 1960687SM | 4 | NUT, Hex Flange, 3/8-16 |
| 0120 | 1734645SM | 2 | BEARING ASSEMBLY, Ball, With Flange & Roll Pin |
| 0130 | 1664847SM | 6 | SCREW, Hex Washer Head, Taptite, 5/16-18 x 3/4 |
| 0140 | 15X146MA | 2 | NUT, Nylock, 10 x 24 |
| 0150 | 1736620YP | 2 | CLAMP, Spring |
| 0160 | 1960569SM | 2 | SCREW, Truss Head Torx, 10-24 x 3/8 |
| 0170 | 1736094YP | 1 | STICK, Cleanout, With Brush |
| 0180 | 2108202SM | 1 | BEARING, Ball, 3/4ID x 1-3/4OD x 5/8 Long |
| 0190 | 1665982SM | 1 | RETAINER, Bearing |
| 0200 | 1960738SM | 3 | SCREW, Hex Flange, 5/16-18 x 3/4 |

Not For
Reproduction



0020



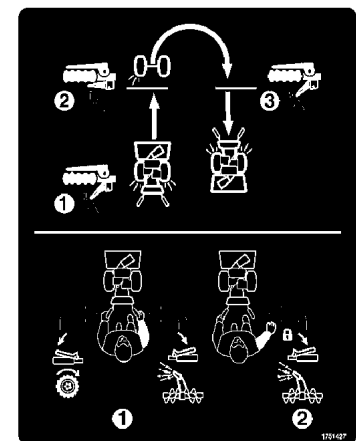
0010



0050



0060



0040



0070

Decals Group

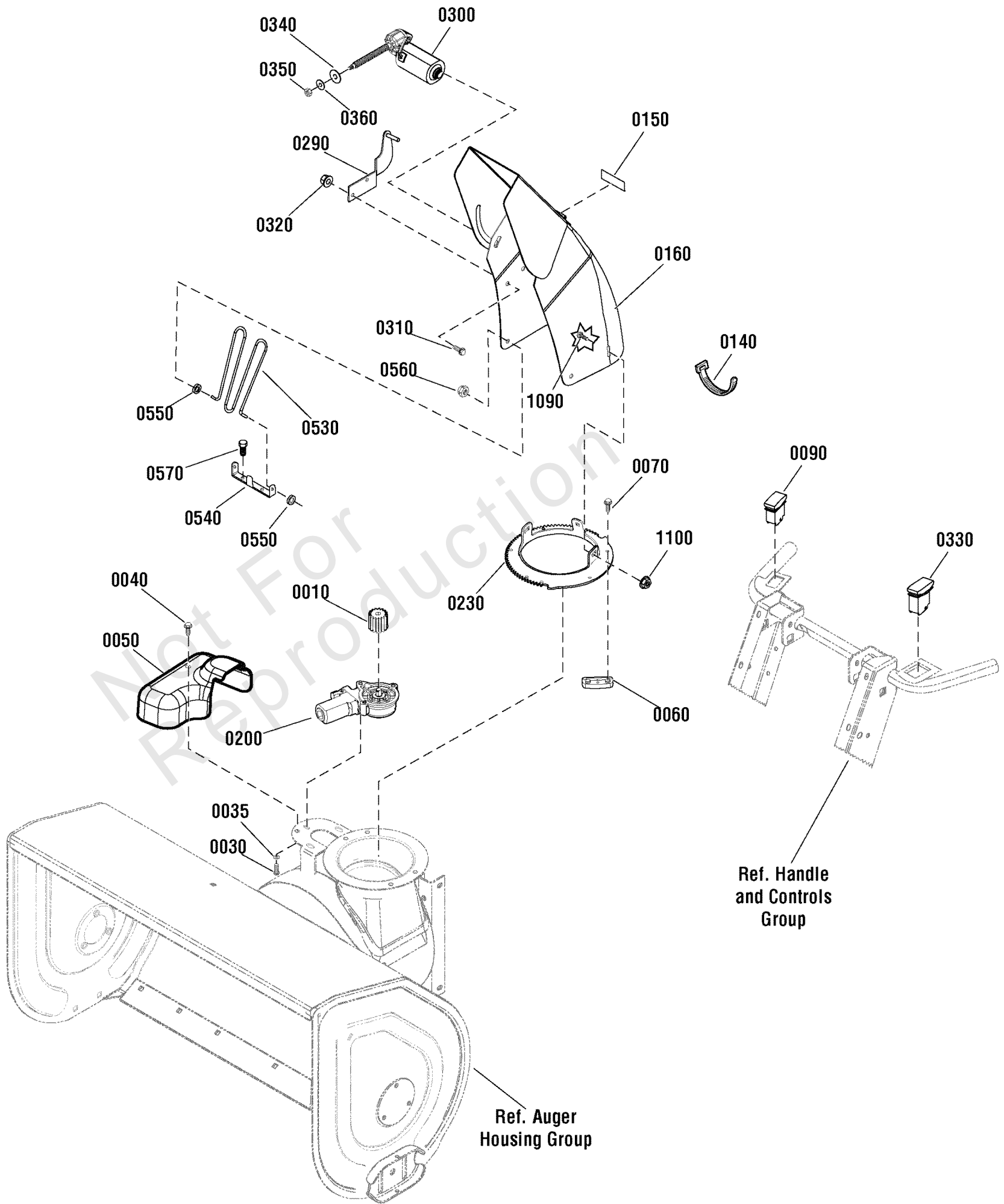
| REF NO | PART NO | QTY | DESCRIPTION |
|---------------|----------------|------------|---------------------------------|
| 0010 | 1737867YP | 1 | DECAL, Danger Auger Icons |
| 0020 | 1727207SM | 1 | DECAL, Chute Warning, Export |
| 0030 | 1751582YP | 1 | DECAL, Gear Shift |
| 0040 | 1751427YP | 1 | DECAL, Controls |
| 0050 | 1737869YP | 1 | DECAL, Auger Control Symbols |
| 0060 | 1737870YP | 1 | DECAL, Traction Control Symbols |
| 0070 | 1755171YP | 1 | DECAL, Auger Housing, BP2132SE |
| 0075 | 1750926YP | 1 | DECAL, Logo, Chute, LH |
| 0080 | 1750927YP | 1 | DECAL, Logo, Chute, RH |

Not For
Reproduction

Discharge Chute Group

Note: Unless noted otherwise, use the standard torque specifications

Mfg. No: 1696257-00



Discharge Chute Group

| REF NO | PART NO | QTY | DESCRIPTION |
|--------|-------------|-----|---|
| 0010 | 1728967SM | 1 | PINION |
| 0030 | 1739621YP | 3 | SCREW, Torx Button Head, M5 x .8 x 14 |
| 0035 | 7091552SM | 3 | WASHER, Flat, 7/32 |
| 0040 | 1925592SM | 1 | SCREW, Hex Washer Head, Taptite, 1/4-20 x 3/4 |
| 0050 | 1752877YP | 1 | COVER, Electric Chute Rotation |
| 0060 | 7011938SM | 3 | RETAINER, Spout |
| 0070 | 1960001SM | 6 | SCREW, Hex Washer Head, Plastite, 10-14 x 5/8 |
| 0090 | 1687904 | 1 | WIRE HARNESS ADAPTER KIT, CHUTE ROTATION |
| 0140 | 1701011SM | 1 | TIE, Self Locking, 15" Long |
| 0150 | 1733601SM | 2 | DECAL, Hinge -(Use on Serial Numbers 2016551694 and Below) |
| 0160 | 1752841AYP | 1 | CHUTE |
| 0200 | 1739309YP | 1 | MOTOR, Chute Rotation |
| 0230 | 1737962BMYP | 1 | GEAR, Chute |
| 0290 | 1738267BMYP | 1 | BRACKET, Weld Stud |
| 0300 | 1737941YP | 1 | MOTOR, Chute Deflector |
| 0310 | 1960715SM | 2 | SCREW, Truss Head, Torx Drive, 1/4-20 x 3/4 |
| 0320 | 1960694SM | 2 | NUT, Hex Flange, , ESNA, 1/4-20 |
| 0330 | 1737379YP | 1 | SWITCH, Chute Deflector |
| 0340 | 1738244YP | 1 | WASHER, Rubber |
| 0350 | 1738245YP | 1 | NUT, LH |
| 0360 | 703332 | 1 | WASHER, Flat, 1/4 |
| 0530 | 1733475SM | 1 | GUARD, Chute |
| 0540 | 1752883YP | 1 | BRACKET, Chute Guard (CE/Export) |
| 0550 | 1738174YP | 2 | GROMMET |
| 0560 | 1960140SM | 2 | NUT, Push, 3/16 |
| 0570 | 1925003SM | 2 | CAPSCREW, Hex Washer Head, Taptite, 1/4-20 x 1/2 |
| 1090 | 1931317SM | 3 | BOLT, Carriage, Short Neck, 1/4-20 x 3/4, G5 |
| 1100 | 1960685SM | 3 | NUT, Hex, KEPS, Conical, 1/4-20 |

Engine & Frame Group - 21TP

| REF NO | PART NO | QTY | DESCRIPTION |
|--------|----------------|-----|---|
| 0010 | 25M317-0113-H1 | 1 | * ENGINE, 21TP Briggs & Stratton -(Engine Model: 25M317-0113-H1) |
| 0055 | 028X76MA | 4 | NUT, Speed |
| 0060 | 1931211SM | 3 | NUT, Hex Flange, 3/8-16 -(Rear Engine Mount) |
| 0065 | 703339 | 2 | NUT, Hex Flange, Whiz Lock 7/16-14 -(Front Engine Mount) |
| 0070 | 1921971SM | 2 | CAPSCREW, Hex Head, 3/8-16 x 1-3/4, G5 -(Rear Engine Mount) |
| 0075 | 1923027SM | 2 | CAPSCREW, Hex Head, 7/16-14 x 1-3/4, G5 -(Front Engine Mount) |
| 0080 | 71072MA | 2 | WASHER, Flat, 13/32 -(Rear Engine Mount) |
| 0085 | 703183 | 2 | WASHER, 7/16 -(Front Engine Mount) |
| 0100 | 1755060YP | 1 | PULLEY, Crankshaft, Inside |
| 0103 | 1726866SM | 1 | PULLEY, Engine, Middle |
| 0105 | 1726867SM | 1 | PULLEY, Engine, Outer |
| 0180 | 1922128SM | 1 | CAPSCREW, Hex Head, 3/8-24 x 1-1/2, G8 |
| 0190 | 1922755SM | 1 | WASHER, Flat, 1 |
| 0200 | 1916965SM | 1 | LOCKWASHER, Spring, 3/8 |
| 0280 | 1733014SM | 2 | STOP, Belt |
| 0300 | 1921515SM | 2 | CAPSCREW, Hex Head, 5/16-24 x 3/4, G5 |
| 0310 | 1919326SM | 2 | WASHER, 5/16 |
| 0320 | 703116 | 2 | LOCKWASHER, Spring, 5/16 |
| 0340 | 1754356YP | 1 | BELT, V, 4L, 43.35 |
| 0350 | 1753942YP | 1 | BELT, CVT, 3L, 32.90 |
| 0360 | 1726348SM | 1 | PULLEY, Idler, 2-3/4 |
| 0380 | 2860709SM | 1 | SCREW, Hex Flange, Whiz Lock, 3/8-16 1-3/4 |
| 0400 | 1928352SM | 1 | NUT, Hex Flange, Whiz Lock, 3/8-16 |
| 0420 | 1668477SM | 1 | PULLEY, Idler, With Bearing, 2-1/4 OD 0.378 ID |
| 0430 | 1960647SM | 1 | SCREW, Hex Head, 3/8-16 x 1-1/2 |
| 0490 | 2159106SM | 1 | SPRING, Extension, 4-1/4" |
| 0510 | 1703046BMYP | 1 | ARM, Idler |
| 0520 | 1665994SM | 1 | PIN, 5/16 x 1-3/4 |
| 0530 | 1722460SM | 2 | HAIRPIN |
| 0540 | 1727149SM | 1 | SPRING, Extension, 5.83" |
| 0560 | 9357MA | 4 | SCREW, Whiz Lock, 5/16-18 x 3/4, G5 |
| 0580 | 1927557SM | 4 | NUT, Hex Flange, Whiz Lock, 5/16-18, G5 |
| 0600 | 1726870BSYP | 1 | COVER, Bottom |
| 0610 | 1925003SM | 2 | SCREW, Hex Head, Taptite, 1/4-20 x 1/2 |
| 0630 | 1725287SM | 1 | COVER, Belt |
| 0640 | 1935255SM | 2 | NUT, Speed, Lug Type, 5/16-18 |
| 0650 | 1918249SM | 2 | SCREW, 5/16-18 X 3/4, Slotted Truss Head, Blk |
| 0660 | 7090395YP | 2 | WASHER, External Tooth, 5/16 |
| 0670 | 1727004BMYP | 1 | SUPPORT, Tie Bar |
| 0680 | 703235 | 4 | SCREW, Washer Head, 5/16-18 x 3/4 |
| 0690 | 1754350BSYP | 1 | FRAME |
| 0750 | 1720404BMYP | 1 | SUPPORT, Clutch Cable |
| 0760 | 1931317SM | 2 | BOLT, Carriage, Short Neck, 1/4-20 x 3/4, G5 |

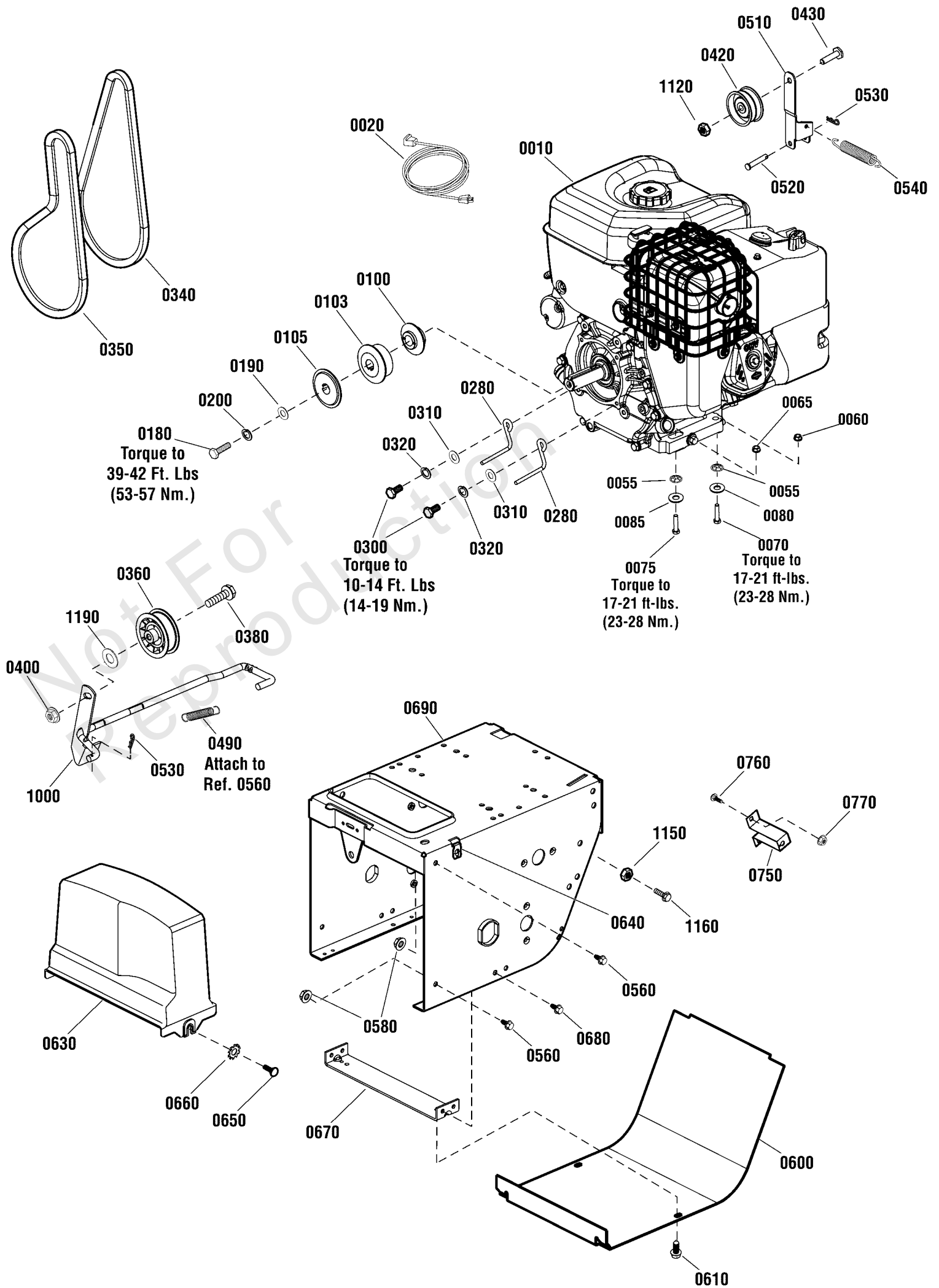
Footnotes:

Note* See your local Briggs & Stratton distributor for parts and service.

Engine & Frame Group - 21TP

Note: Unless noted otherwise, use the standard torque specifications

Mfg. No: 1696257-00



Engine & Frame Group - 21TP

| REF NO | PART NO | QTY | DESCRIPTION |
|--------|-------------|-----|---------------------------------|
| 0770 | 1960685SM | 2 | NUT, KEPS, 1/4-20 |
| 1000 | 1729646BMYP | 1 | CLUTCH ROD |
| 1120 | 1928731SM | 1 | NUT, Hex, Top Lock JAM, 3/8-16 |
| 1150 | 1920161SM | 1 | NUT, Hex, JAM 5/16-18 |
| 1160 | 001X84MA | 1 | CAPSCREW, Hex Head, 5/16-18 x 1 |
| 1190 | 1924874SM | 1 | WASHER, Flat, 5/16 |

Not For
Reproduction

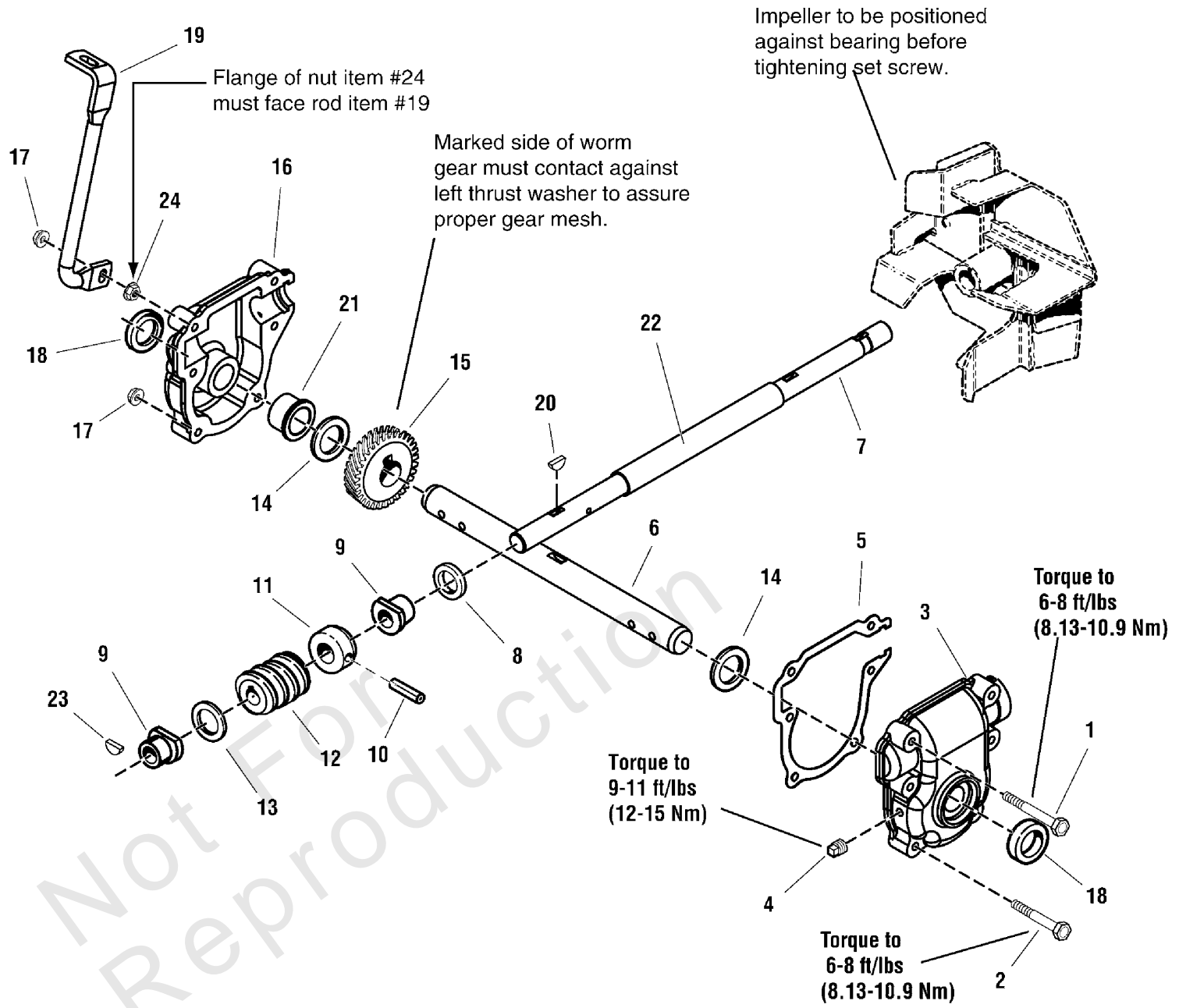
Footnotes:

Note* See your local Briggs & Stratton distributor for parts and service.

Gear Case Assembly (1732303)

Note: Unless noted otherwise, use the standard torque specifications

Mfg. No: 1696257-00



Gear Case Assembly (1732303)

| REF NO | PART NO | QTY | DESCRIPTION |
|--------|-----------|-----|--------------------------------|
| 1 | 1923282SM | 1 | CAPSCREW, 1/4 - 20 x 2-1/2 |
| 2 | 1960346SM | 5 | CAPSCREW, 1/4-20 x 2-1/4 |
| 3 | 1612136SM | 1 | GEAR CASE, Left |
| 4 | 1668971SM | 1 | TAPERED PIPE PLUG |
| 5 | 1612124SM | 1 | GASKET |
| 6 | 1732440SM | 1 | SHAFT, Auger Cutoff |
| 7 | 1732182SM | 1 | SHAFT, Worm Cutoff |
| 8 | 1612093SM | 1 | SEAL, Oil |
| 9 | 1612149SM | 2 | FLANGE BUSHING |
| 10 | 2836098SM | 1 | PIN, Drive Lock |
| 11 | 1612127SM | 1 | THRUST COLLAR |
| 12 | 1612142SM | 1 | ROLLED WORM CASE |
| 13 | 2168111SM | 1 | WASHER, Thrust |
| 14 | 2118315SM | 2 | WASHER, Thrust |
| 15 | 1612141SM | 1 | GEAR, Worm |
| 16 | 1612137SM | 1 | GEAR CASE, Right |
| 17 | 1930642SM | 6 | NUT, Top Lock Flange, 1/4 - 20 |
| 18 | 2118118SM | 2 | SEAL |
| 19 | 1732152SM | 1 | BRACKET, Wireform |
| 20 | 2818312SM | 1 | KEY, Woodruff |
| 21 | 1732991SM | 2 | BUSHING |
| 22 | 1612111SM | 1 | TUBE |
| 23 | 2830246SM | 1 | KEY, Woodruff |
| 24 | 1960294SM | 1 | NUT, Flange, 1/4-20 |

Handle & Controls Group

| REF NO | PART NO | QTY | DESCRIPTION |
|---------|-------------|-----|--|
| 0010 | 1739686YP | 1 | LIGHT BAR ASSEMBLY |
| 0010-10 | ----- | 1 | LENS, RH -(Not a serviceable part, included with Ref. No. 0010) |
| 0010-20 | ----- | 1 | LENS, LH -(Not a serviceable part, included with Ref. No. 0010) |
| 0010-30 | 1739689YP | 2 | LAMP, Halogen, 12V 20W |
| 0010-40 | 1736180YP | 2 | SOCKET & GASKET ASSEMBLY, Headlight |
| 0010-50 | ----- | 2 | GASKET, Single, Twin Light -(Not a serviceable part, included with Ref. No. 0010-40) |
| 0010-60 | ----- | 2 | BEZEL, Light, Panel -(Not a serviceable part, included with Ref. No. 0010) |
| 0020 | 1739345BSYP | 1 | COVER, Panel, Remote Deflector |
| 0030 | 1960556SM | 9 | SCREW, Pan Head, Torx, 1/4-20 x 3/4, Taptite |
| 0040 | 1735643YP | 1 | CABLE & SPRING ASSEMBLY, Auger Drive, RH |
| 0050 | 1735641AYP | 1 | HANDLE, Lower |
| 0060 | 1737531AYP | 1 | HANDLE, Upper, R.H. |
| 0070 | 1734586ASM | 1 | HANDLE, Upper, L.H. |
| 0080 | 25X021MA | 4 | CAPSCREW, Hex Head, 5/16-18 x 3/4 |
| 0110 | 1960686SM | 4 | NUT, Flange, Nylock, 5/16-18 |
| 0120 | 1960273SM | 2 | BOLT, Carriage, 5/16-18 x 2-1/4 |
| 0130 | 7091189YP | 2 | BOLT, Carriage, 5/16-18 x 2, G2 |
| 0140 | 1920397SM | 4 | NUT, Hex Lock, 1/4-20 |
| 0150 | 703045 | 2 | BOLT, Shoulder, 1/4-20 x 1 3/4 -(Use on Serial Numbers 2016551695 and Above) |
| 0150 | 1678392SM | 2 | SPACER -(Use on Serial Numbers 2016551694 and Below) |
| 0160 | 1921962SM | 2 | CAPSCREW, Hex Head, 1/4-20 x 1-3/4, G5 -(Quantity of 4 used on Serial Numbers 2016551694 and Below) |
| 0170 | 1739783BMYP | 1 | LEVER, Clutch, RH |
| 0180 | 1739782BMYP | 1 | LEVER, Clutch, LH |
| 0190 | 1733505BMYP | 1 | BRACKET, Pivot, Free Hand |
| 0200 | 1736360YP | 1 | ROD, Hold Down, 5/32 Dia., 5-5/8 Lg |
| 0210 | 1733095SM | 1 | SPACER, 1/4 ID |
| 0230 | 1736542YP | 2 | SPACER, Stepped |
| 0240 | 1753529YP | 2 | BOLT, Shoulder, Hex Washer Head, 1/4 x 1-1/2 |
| 0250 | 1933896SM | 2 | NUT, Nylock, 10-24 |
| 0260 | 1738124YP | 2 | HAND GRIP |
| 0265 | 703044 | 4 | SCREW, Square, 1/8-20 x 1/32 |
| 0300 | 1750635YP | 1 | ROD, Speed Select |
| 0310 | 1923701SM | 1 | CAPSCREW, Hex Head, 3/8-16 x 2, G5 |
| 0305 | 1666255SM | 1 | ROD, Shift |
| 0320 | 1931277SM | 3 | NUT, Hex Flange Whiz Lock, 5/16-18 |
| 0308 | 1722460SM | 1 | HAIR PIN |
| 0330 | 50786MA | 1 | SPRING, 1/2 Dia. x 3/4 |
| 0340 | 1918266SM | 1 | WASHER, 3/8 x 13/16 OD |
| 0350 | 1919439SM | 1 | NUT, Hex Lock, 3/8-16 |
| 0390 | 1751352YP | 1 | BRACKET, Controls |
| 0410 | 304437MA | 1 | KNOB, Slot Speed |
| 0420 | 1917421SM | 1 | NUT, Hex Jam, 3/8-16 |
| 0430 | 703048 | 1 | SPEED LEVER ASSEMBLY |
| 0440 | 1735646YP | 1 | CABLE, Handle |
| 0470 | 1736363YP | 1 | ROD & SPRING ASSEMBLY |
| 0480 | 2108360SM | 1 | SPRING, Compression, 017/32 ID x 2-1/4 Lg |

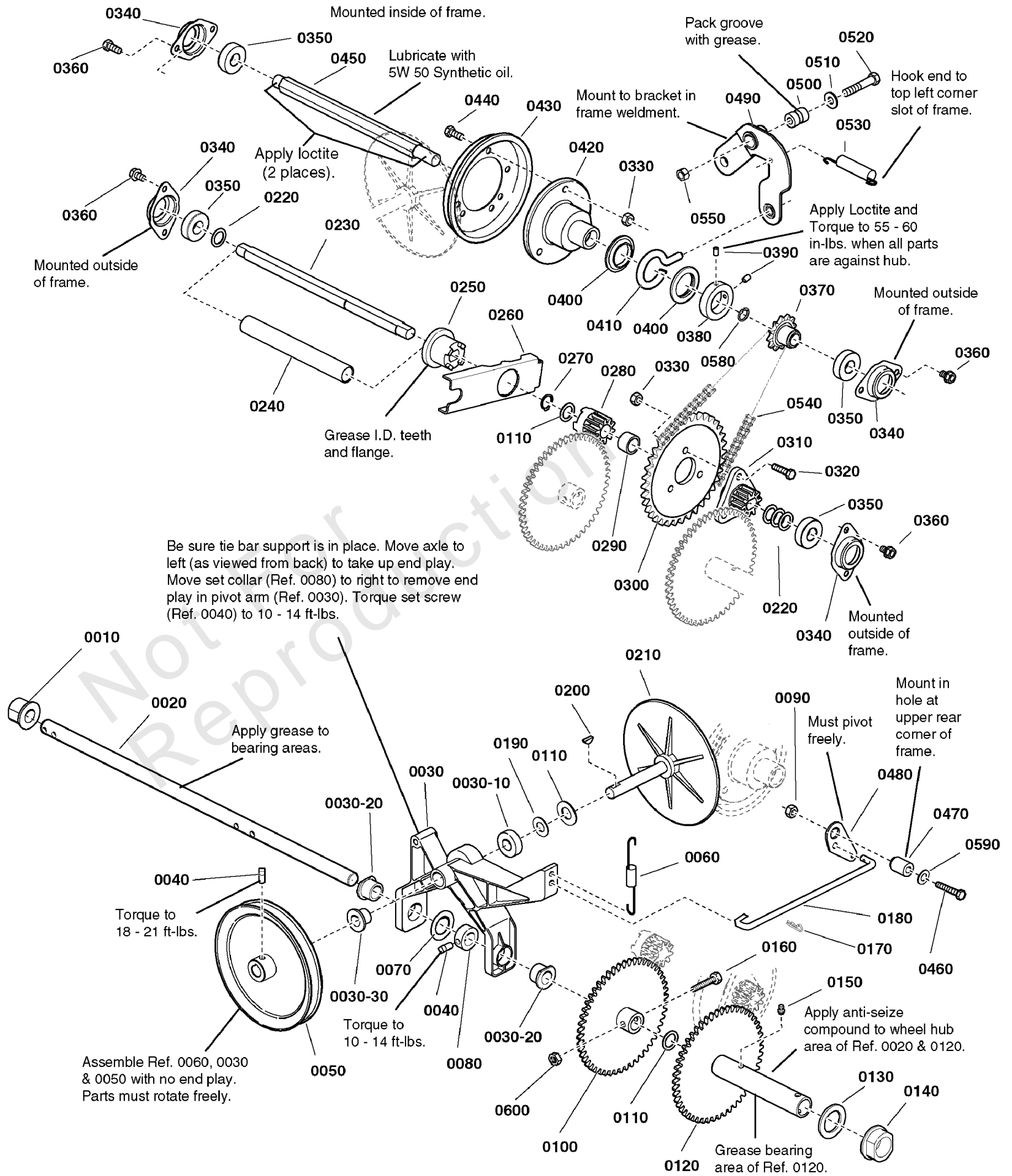
Handle & Controls Group

| REF NO | PART NO | QTY | DESCRIPTION |
|--------|-------------|-----|---|
| 0490 | 7091003YP | 1 | CAPSCREW, Hex Head, 1/4-20 x 1-3/4, G5 |
| 0495 | 703463 | 2 | NUT, Nylock Flanged, 1/4-20 |
| 0500 | 1931333SM | 3 | BOLT, Carriage, 5/16-18 x 3/4 |
| 0510 | 1739500BMYP | 1 | SUPPORT, Dash |
| 0520 | 1701011SM | 5 | TIE, SELF LOCKING, 7-5/16 Lg |
| 0550 | 1931317SM | 2 | BOLT, Carriage, 1/4-20 x 3/4 |
| 0560 | 1960685SM | 2 | NUT, 1/4-20 |
| 0570 | 1750773YP | 1 | HARNESS |
| 0575 | 1752164YP | 1 | HARNESS, On/Off, HHG |
| 0580 | 1752242YP | 1 | SWITCH, Heated Hand Grip |
| 0610 | 1739663BMYP | 1 | BRACKET, Mounting, Dash, R.H. |
| 0620 | 1739664BMYP | 1 | BRACKET, Mounting, Dash, L.H. |
| 0630 | 1739666BMYP | 1 | BRACKET, Light Mounting |
| 0640 | 1739483AYP | 1 | POD, Chute Rotation, RH |
| 0650 | 1739484AYP | 1 | POD, Deflector Control |
| 0660 | 1739861AYP | 1 | BRACKET, Switch |
| 0670 | 7091105YP | 4 | SCREW, Hex Washer Machine, #10-16 x 1/2 |
| 0700 | 1921319SM | 4 | WASHER, 1/4 x 5/8 OD |
| 0710 | 1725702SM | 1 | SCREW, Pan Head Torx, #10 x 1/2 |
| 0720 | 1718791SM | 1 | CABLE & HANDLE ASSEMBLY |
| 0750 | 1737552YP | 1 | BRACE |
| 0760 | 1931317SM | 1 | BOLT, Carriage, 1/4-20 x 3/4 |
| 0770 | 1713588SM | 1 | SPACER |
| 0780 | 1751392YP | 1 | SCREW, 1/4-20 x 2-1/4 |

Traction Drive Group

Note: Unless noted otherwise, use the standard torque specifications

Mfg. No: 1696257-00



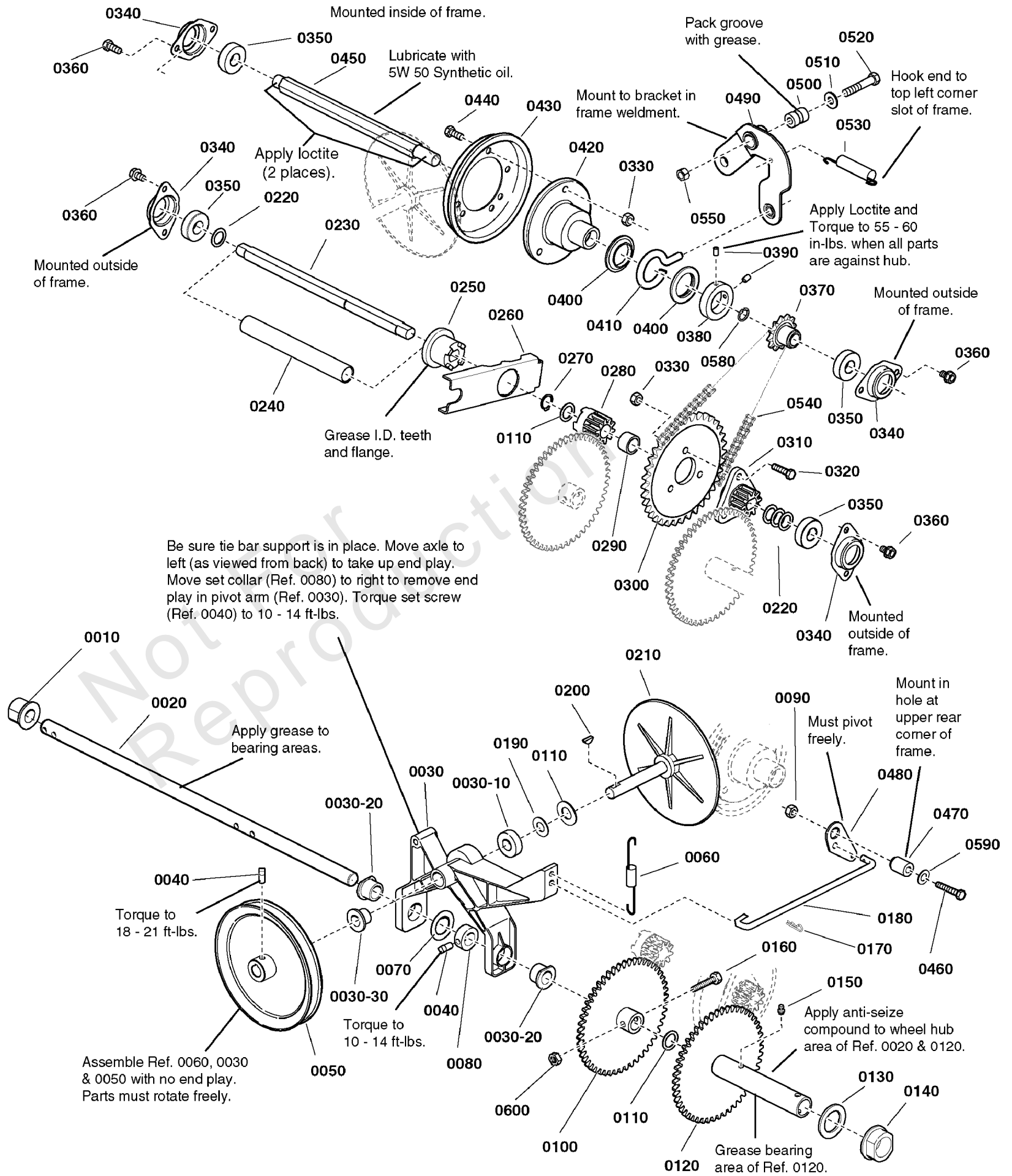
Traction Drive Group

| REF NO | PART NO | QTY | DESCRIPTION |
|---------|------------|-----|---|
| 0010 | 1666001SM | 1 | BUSHING, 377/100 ID x 1-13/100 OD x 1 LG, Powdered Metal |
| 0020 | 1736641YP | 1 | AXLE, 22-13/16 Long |
| 0030 | 1670849SM | 1 | ARM ASSY., Pivot w/Bushings (Incl. all bushings, Qty 1 of Ref. No. 21, Qty 2 of Ref. No. 26; Qty. 1 of Ref. No. 37) |
| 0030-10 | 1665521SM | 1 | BALL BEARING, Auger Axle |
| 0030-20 | 1666425SM | 2 | BUSHING, 3/4 ID x 1 OD x 3/4 LG, Powdered Metal |
| 0030-30 | 1666855SM | 1 | BUSHING, 5/8 ID x 13/16 OD x 3/4 LG, Powdered Metal |
| 0040 | 1928721SM | 2 | SETSCREW, Square Head, 5/16-18 x 1/2, G8 |
| 0050 | 1672595SM | 1 | PULLEY AND HUB ASSEMBLY |
| 0060 | 1725666SM | 1 | SPRING, Extension, 1/2 OD |
| 0070 | 1919394SM | 1 | WASHER, 1, (As Required for All Front, As Required for K62 Rear) |
| 0080 | 1729254SM | 1 | COLLAR, Set, .756 ID x 1.249 OD x .50 |
| 0090 | 1960686SM | 1 | NUT, Hex Flange Nylock, 5/16-18 |
| 0100 | 1736639YP | 1 | GEAR ASSEMBLY |
| 0110 | 1960114SM | 3 | WASHER, 3/4 x 1 |
| 0120 | 1730228SM | 1 | GEAR AND HUB ASSEMBLY, with Bushings |
| 0130 | 2860169SM | 1 | WASHER, 1-3/16 |
| 0140 | 1720305SM | 1 | BUSHING |
| 0150 | 7076998SM | 1 | Fitting, Lube, Straight, 1/4-28 |
| 0160 | 706416 | 2 | CAPSCREW, Hex-Head, 1/4-20 x 1-1/2, GR8 |
| 0170 | 1722460SM | 1 | PIN, Hair |
| 0180 | 1726467SM | 1 | ROD, Pivot, 9-15/100 LG |
| 0190 | 1924366SM | 1 | WASHER, 5/8 |
| 0200 | 2818312SM | 1 | KEY, Woodruff, 3/16 x 5/8 |
| 0210 | 1719879SM | 1 | DRIVE DISC with SPINDLE |
| 0220 | 2860164SM | 4 | WASHER, Flat, 11/16" ID |
| 0230 | 1718752SM | 1 | JACKSHAFT, Double D |
| 0240 | 1720298SM | 1 | SPRING, Compression |
| 0250 | 1718689SM | 1 | CLUTCH, Sliding, 1/5LG, Powdered Metal |
| 0260 | 1720078ASM | 1 | ARM, Clutch |
| 0270 | 2827732SM | 1 | RING, Retainer, Ext, # 74, 3/4 Dia. |
| 0280 | 1718688SM | 1 | GEAR, 10 Tooth, Stationary, Clutch |
| 0290 | 1679556SM | 1 | SPACER, Heat Treated, 31/100 LG |
| 0300 | 1667330SM | 1 | SPROCKET, 36 Tooth |
| 0310 | 1718687SM | 1 | GEAR, 10 Tooth, Double D |
| 0320 | 1921333SM | 3 | CAPSCREW, Hex Head, 5/16-18 x 1 |
| 0330 | 1960684SM | 6 | NUT, Hex Keps, 5/16-18 |
| 0340 | 1667341SM | 4 | BEARING, Retainer |
| 0350 | 1705897SM | 4 | BEARING, Ball, 11/16 x 1-9/16 x 15/32 |
| 0360 | 1930601SM | 8 | CAPSCREW, Hex Washer Head, Taptite, 5/16-18 x 5/8 |
| 0370 | 1726931SM | 1 | SPROCKET, 10 Tooth |
| 0380 | 1667335SM | 1 | COLLAR, Set, 1.251 ID x 2.00 OD x .50 Long |
| 0390 | 1960348SM | 2 | SET SCREW, Hex Socket, Cup Point, 1/4-20 x 3/8 |
| 0400 | 1678956SM | 2 | COLLAR, Thrust, 1-1/4 ID x 2 OD |
| 0410 | 1666207SM | 1 | PIN, LOOP 3/8 Dia. x 2-3/32 Lg |
| 0420 | 1665995SM | 1 | HUB, Friction Disc |
| 0430 | 1725428SM | 1 | DISC, Friction with Insert |
| 0440 | 1921332SM | 3 | SCREW, Hex Head Cap, 5/16-18 X 3/4, GR5 |
| 0450 | 1736100SM | 1 | SHAFT, Hex, 3/4 x 11-3/8 Lg, w/Groove |
| 0460 | 1735776YP | 1 | CAPSCREW, Hex Socket-Head, 5/16-18 x 2, G8 |
| 0470 | 1666106SM | 1 | BUSHING, 11/32 ID x 3/4 OD, 1-1/16 Long |

Traction Drive Group

Note: Unless noted otherwise, use the standard torque specifications

Mfg. No: 1696257-00



Traction Drive Group

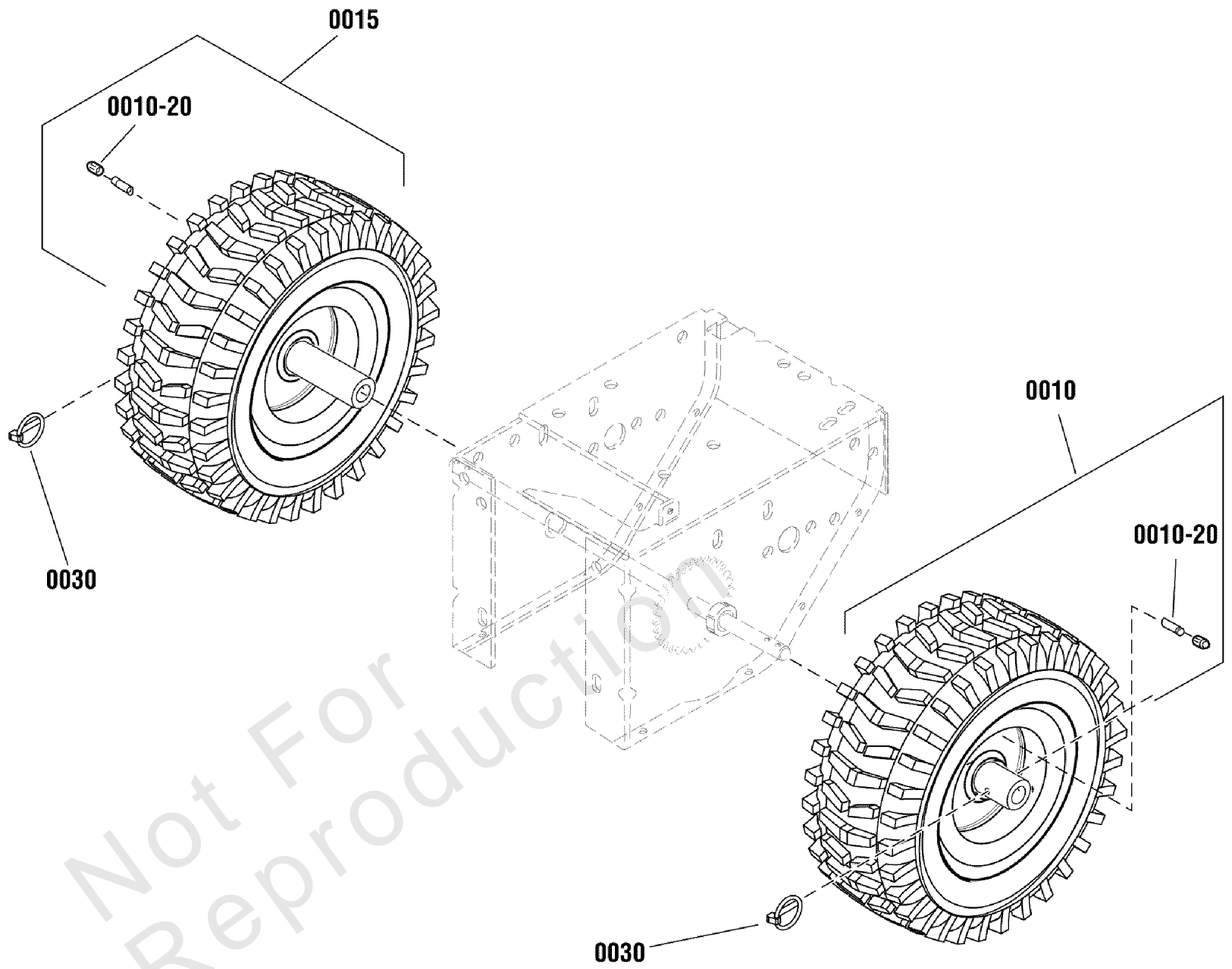
| REF NO | PART NO | QTY | DESCRIPTION |
|---------------|----------------|------------|--|
| 0480 | 1700473SM | 1 | BELLCRANK |
| 0490 | 1669256SM | 1 | ARM ASSY., Shift w/Bushings (Includes Ref. No. 31) |
| 0500 | 1666114SM | 1 | BUSHING, Spacer, .380 ID x .750 OD x 1.030 Long |
| 0510 | 1924940SM | 1 | WASHER, 3/8, .41 ID x .87 OD x .08 THK |
| 0520 | 1923701SM | 1 | CAPSCREW, Hex Head, 3/8-16 x 2, GR5 |
| 0530 | 1668255SM | 1 | SPRING, Extension |
| 0540 | 1666980SM | 1 | CHAIN, Roller, 22" Lg |
| 0550 | 1960687SM | 1 | NUT, Hex Flange Nylock, ESNA, 3/8-16 |
| 0580 | 1736222YP | 1 | RING, Retaining External #87 |
| 0590 | 1919326SM | 1 | WASHER, 5/16 |
| 0600 | 95661YP | 2 | NUT, Hex, Nylock 1/4-20 |

Not For
Reproduction

Wheels and Tires Group

Note: Unless noted otherwise, use the standard torque specifications

Mfg. No: 1696257-00



Wheels and Tires Group

| REF NO | PART NO | QTY | DESCRIPTION |
|---------|-----------|-----|---|
| 0010 | 1754529YP | 1 | WHEEL, 16 x 6.5, P2-407, L.H. -(Includes Ref. 0010-20) |
| 0015 | 1754531YP | 1 | WHEEL, 16 x 6.5, P2-407, R.H. -(Includes Ref. 0010-20) |
| 0010-20 | 2172353SM | 2 | VALVE STEM & CAP |
| 0030 | 1731186SM | 2 | PIN, Klik, 2" |

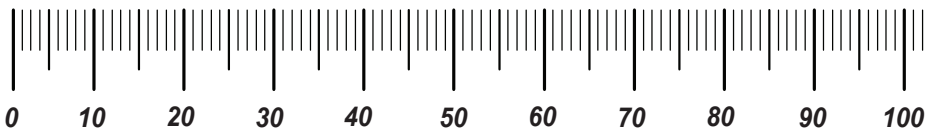
Not For
Reproduction

Hardware Identification & Torque Specifications

| Torque Specification Chart | | | | | | | | |
|--|-----------|------|-----------|------|------------|------|------------|------|
| FOR STANDARD METRIC MACHINE HARDWARE (Tolerance ± 20%) | | | | | | | | |
| Property Class | 5.6 | | 8.8 | | 10.9 | | 12.9 | |
| | Class 5.6 | | Class 8.8 | | Class 10.9 | | Class 12.9 | |
| Size Of Hardware | in/lbs | Nm. | in/lbs | Nm. | in/lbs | Nm. | in/lbs | Nm. |
| | ft/lbs | | ft/lbs | | ft/lbs | | ft/lbs | |
| M3 | 5.88 | .56 | 13.44 | 1.28 | 19.2 | 1.80 | 22.92 | 2.15 |
| M4 | 13.44 | 1.28 | 30.72 | 2.90 | 43.44 | 4.10 | 52.56 | 4.95 |
| M5 | 26.4 | 2.50 | 60.96 | 5.75 | 5.97 | 8.10 | 7.15 | 9.7 |
| M6 | 44.64 | 4.3 | 7.3 | 9.9 | 10.3 | 14 | 12.1 | 16.5 |
| M7 | 5.2 | 7.1 | 12.1 | 16.5 | 16.9 | 23 | 19.9 | 27 |
| M8 | 7.7 | 10.5 | 17.7 | 24 | 25 | 34 | 29 | 40 |
| M10 | 15 | 21 | 35 | 48 | 50 | 67 | 59 | 81 |
| M12 | 26 | 36 | 61 | 83 | 86.2 | 117 | 103 | 140 |
| M14 | 42 | 58 | 101 | 132 | 136 | 185 | 162 | 220 |
| M16 | 64 | 88 | 147 | 200 | 210 | 285 | 250 | 340 |
| M18 | 89 | 121 | 202 | 275 | 287 | 390 | 346 | 470 |
| M20 | 126 | 171 | 290 | 390 | 405 | 550 | 486 | 660 |
| M22 | 169 | 230 | 390 | 530 | 559 | 745 | 656 | 890 |
| M24 | 217 | 295 | 497 | 375 | 708 | 960 | 840 | 1140 |
| M27 | 320 | 435 | 733 | 995 | 1032 | 1400 | 1239 | 1680 |
| M30 | 435 | 590 | 995 | 1350 | 1401 | 1900 | 1681 | 2280 |
| M33 | 590 | 800 | 1349 | 1830 | 1902 | 2580 | 2278 | 3090 |
| M36 | 759 | 1030 | 1740 | 2360 | 2441 | 3310 | 2935 | 3980 |
| M39 | 988 | 1340 | 2249 | 3050 | 3163 | 4290 | 3798 | 5150 |

| Torque Specification Chart | | | | | | |
|---|-------------|-------|-------------|-------|-------------|---------|
| FOR STANDARD MACHINE HARDWARE (Tolerance ± 20%) | | | | | | |
| Hardware Grade | No Marks | | SAE Grade 5 | | SAE Grade 8 | |
| | SAE Grade 2 | | SAE Grade 5 | | SAE Grade 8 | |
| Size Of Hardware | in/lbs | Nm. | in/lbs | Nm. | in/lbs | Nm. |
| | ft/lbs | | ft/lbs | | ft/lbs | |
| 8-32 | 19 | 2.1 | 30 | 3.4 | 41 | 4.6 |
| 8-36 | 20 | 2.3 | 31 | 3.5 | 43 | 4.9 |
| 10-24 | 27 | 3.1 | 43 | 4.9 | 60 | 6.8 |
| 10-32 | 31 | 3.5 | 49 | 5.5 | 68 | 7.7 |
| 1/4-20 | 66 | 7.6 | 8 | 10.9 | 12 | 16.3 |
| 1/4-28 | 76 | 8.6 | 10 | 13.6 | 14 | 19.0 |
| 5/16-18 | 11 | 15.0 | 17 | 23.1 | 25 | 34.0 |
| 5/16-24 | 12 | 16.3 | 19 | 25.8 | 29 | 34.0 |
| 3/8-16 | 20 | 27.2 | 30 | 40.8 | 45 | 61.2 |
| 3/8-24 | 23 | 31.3 | 35 | 47.6 | 50 | 68.0 |
| 7/16-14 | 30 | 40.8 | 50 | 68.0 | 70 | 95.2 |
| 7/16-20 | 35 | 47.6 | 55 | 74.8 | 80 | 108.8 |
| 1/2-13 | 50 | 68.0 | 75 | 102.0 | 110 | 149.6 |
| 1/2-20 | 55 | 74.8 | 90 | 122.4 | 120 | 163.2 |
| 9/16-12 | 65 | 88.4 | 110 | 149.6 | 150 | 204.0 |
| 9/16-18 | 75 | 102.0 | 120 | 163.2 | 170 | 231.2 |
| 5/8-11 | 90 | 122.4 | 150 | 204.0 | 220 | 299.2 |
| 5/8-18 | 100 | 136 | 180 | 244.8 | 240 | 326.4 |
| 3/4-10 | 160 | 217.6 | 260 | 353.6 | 386 | 525.0 |
| 3/4-16 | 180 | 244.8 | 300 | 408.0 | 420 | 571.2 |
| 7/8-9 | 140 | 190.4 | 400 | 544.0 | 600 | 816.0 |
| 7/8-14 | 155 | 210.8 | 440 | 598.4 | 660 | 897.6 |
| 1-8 | 220 | 299.2 | 580 | 788.8 | 900 | 1,244.0 |
| 1-12 | 240 | 326.4 | 640 | 870.4 | 1,000 | 1,360.0 |

The guides and ruler furnished below are designed to help you select the appropriate hardware.

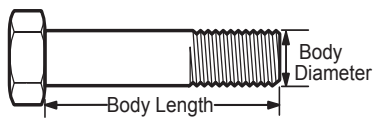


Nut, M8

Thread Diameter (mm)

Inside Diameter (in) Threads per inch

Nut, 1/2-16



Screw, M8- 1.25 x 25

Thread Diameter (mm) Distance between threads (mm) Body Length (mm)

Body Diameter Threads per inch Body Length (in)

Screw, 1/2- 16 x 2



Standard Hardware Sizing

When a washer or nut is identified as 1/2" (M8), this is the *Nominal size*, meaning the *inside diameter* is 1/2 inch (8mm metric thread diameter); if a second number is present it represents the *threads per inch* (distance between threads).

When bolt or capscrew is identified as 1/2 - 16 x 2" (M8 - 1.25 x 50), this means the *Nominal size*, or body diameter is 1/2 inch (8mm metric thread diameter), the second number, 16, represents the *threads per inch*, (*distance between threads*). The final number is the body length of the bolt or screw, 2 inches (50mm).

NOTES

- These torque values are to be used for all hardware excluding: locknuts, self-tapping screws, thread forming screws, sheet metal screws and socket head setscrews.
- Recommended seating torque values for locknuts:
 - for prevailing torque locknuts - use 65% of grade 5 torques.
 - for flange whizlock nuts and screws - use 135% of grade 5 torques.
- Unless otherwise noted on assembly drawings, all torque values must meet this specification.

Common Hardware Types

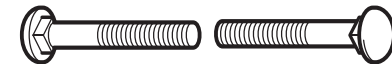
Hex Head Capscrew



Washer



Carriage Bolt



Hex Nut

Wrench & Fastener Size Guide

| | | | | |
|----------------------------------|----------------------------------|----------------------------------|--|---------------------------------|
| | | | | |
| 1/4" Bolt or Nut Wrench—7/16" | 5/16" Bolt or Nut Wrench—1/2" | 3/8" Bolt or Nut Wrench—9/16" | 7/16" Bolt or Nut Wrench (Bolt)—5/8" Wrench (Nut)—11/16" | 1/2" Bolt or Nut Wrench—3/4" |
| M6 Bolt or Nut Wrench—10mm | M8 Bolt or Nut Wrench—13mm | M10 Bolt or Nut Wrench—17mm | M12 Bolt or Nut Wrench—19mm | M14 Bolt or Nut Wrench—22mm |

