

Hybrid Frame Dual Stage Snowthrowers

Attachment

Mfg. No.	Description
1695839	(I924E), 9TP 24" Dual Stage Snowthrower
1695840	(H924RX), 9TP 24" Dual Stage Snowthrower

Not for
Reproduction

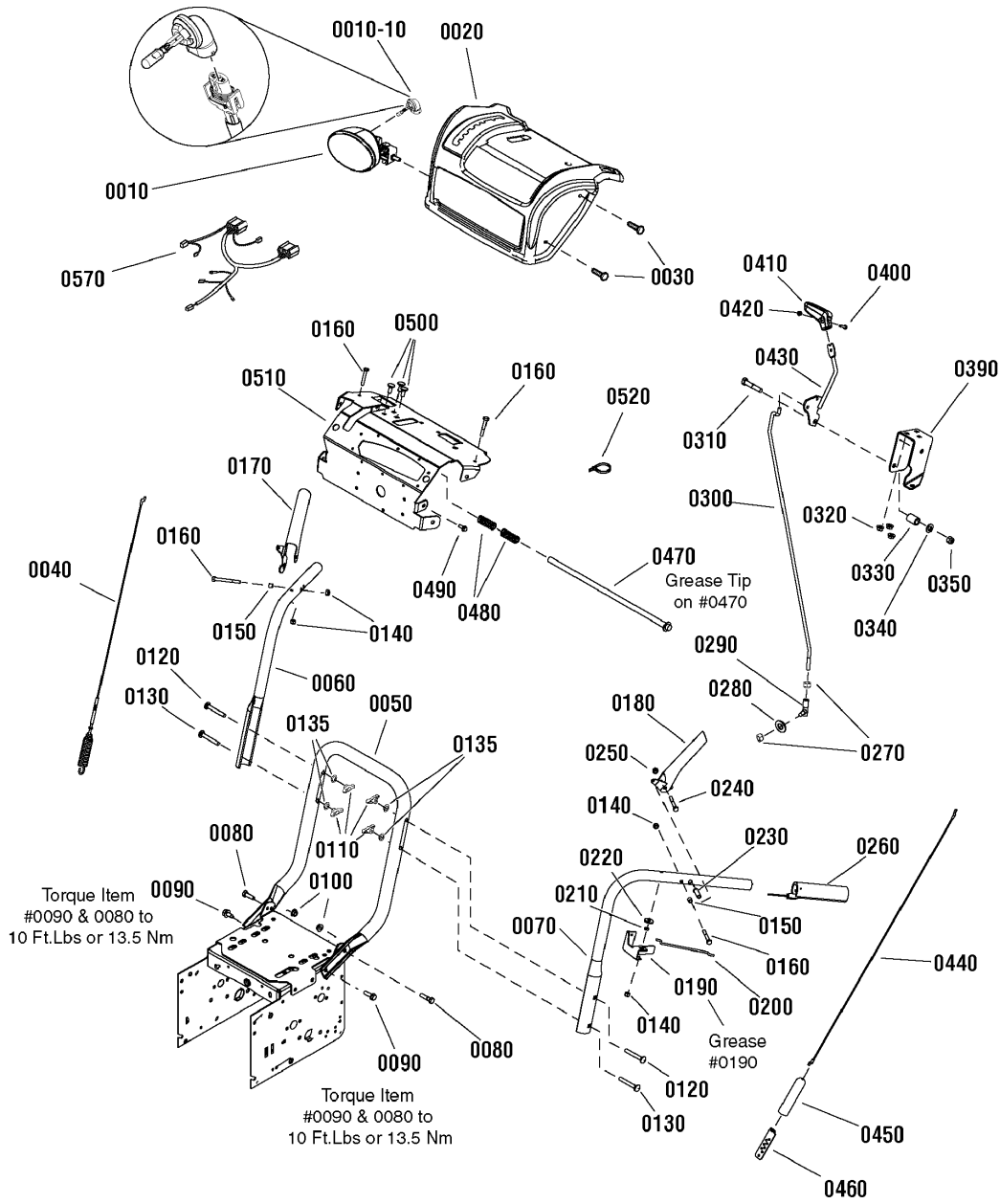
PRODUCT COMPONENTS	PAGES
Handles & Controls Group - Light	4
Handles & Controls Group - No Light	8
Engine & Frame Group	10
Auger Drive Group	14
Auger Housing Group	16
Traction Drive Group	18
Wheels & Tires Group - 1 Pin	20
Decals Group	22
Discharge Chute Group	24
Gear Case Assembly	26
Torque Specification Chart	Inside Back Cover

Not for
Reproduction

Handles & Controls Group - Light

989134

NOTE: Unless noted otherwise,
use the standard hardware torque
specification chart.



The above parts group applies to the following Mfg. Nos.:

1695839 - (1924E)

Handles & Controls Group - Light

REF NO	PART NO.	QTY.	DESCRIPTION
0010	1737965	1	HEADLIGHT ASSEMBLY
0010-10	-----	1	BULB, (Included with Ref. No. 0010)
0020	1730466C	1	COVER, Panel
0030	1960715	3	SCREW, Truss Head Torx, 1/4-20 x 3/4
0040	1732471	1	CABLE & SPRING ASSEMBLY, Auger, R.H.
0050	1737759A	1	HANDLE, Lower
0060	1734587A	1	HANDLE, Upper, R.H.
0070	1734586A	1	HANDLE, Upper, L.H.
0080	1921333	2	CAPSCREW, Hex Head, 5/16-18 x 1
0090	1664847	2	CAPSCREW, Hex Washer Head, Taptite, 5/16-18 x 3/4
0100	1935048	2	NUT, Hex Flange, Two Way Lock, 5/16-18
0110	7035744	4	WINGKNOB, Hex 5/16-18
0120	1750299	2	BOLT, Carriage, 5/16-18 x 2-1/4
0130	1931338	2	BOLT, Carriage, 5/16-18 x 1-3/4
0135	7090391	4	WASHER, Locking, Internal Tooth
0140	1920397	7	NUT, Hex Lock, 1/4-20, ESNA Light
0150	1678392	2	SPACER, 1/4 ID x 3/8 OD x 5/16
0160	1921962	4	CAPSCREW, Hex Flange Head, 1/4-20 x 1-3/4
0170	1739783A	1	LEVER, Clutch, R.H.
0180	1739782A	1	LEVER, Clutch, L.H.
0190	1733505A	1	BRACKET, Pivot, Free Hand
0200	1736360	1	ROD, 5-5/8
0210	1733095	1	SPACER, 1/4 ID x 3/8 OD x 1/8
0220	1960353	1	WASHER, 1/4
0230	1736542	2	SPACER, Stepped
0240	1750554	2	CAPSCREW, Shoulder, Hex Flange Head, 10-24
0250	1933896	3	NUT, Nylock, 10-24
0260	1726317	2	GRIP
0270	2820263	2	NUT, Hex, 5/16-24
0280	1917356	1	LOCKWASHER, Spring
0290	1739290	1	BALLJOINT, Quick Release
0300	1734354	1	ROD, 25-3/8
0310	1923701	1	CAPSCREW, Hex Head, 3/8-16 x 2
0320	1931277	3	NUT, Hex Flange, Whiz Lock, 5/16-18
0330	724361	2	SPRING, 3/4
0340	1918266	2	WASHER, 3/8
0350	1919439	2	NUT, Hex Lock, 3/8-16, ESNA Light
0390	1737684	1	BRACKET, Controls
0400	1960589	1	SCREW, Round Head Phillips, #10-24 x 3/4
0410	1733192	1	KNOB, Slot Speed
0420	1933896	1	NUT, Hex Lock, 10-24
0430	1736836	1	LEVER, Speed
0440	727331	1	CABLE, Front Drive
0450	723154	1	BOOT, Spring End Cover

Footnotes

Note* See your local hardware store for replacement bulbs.

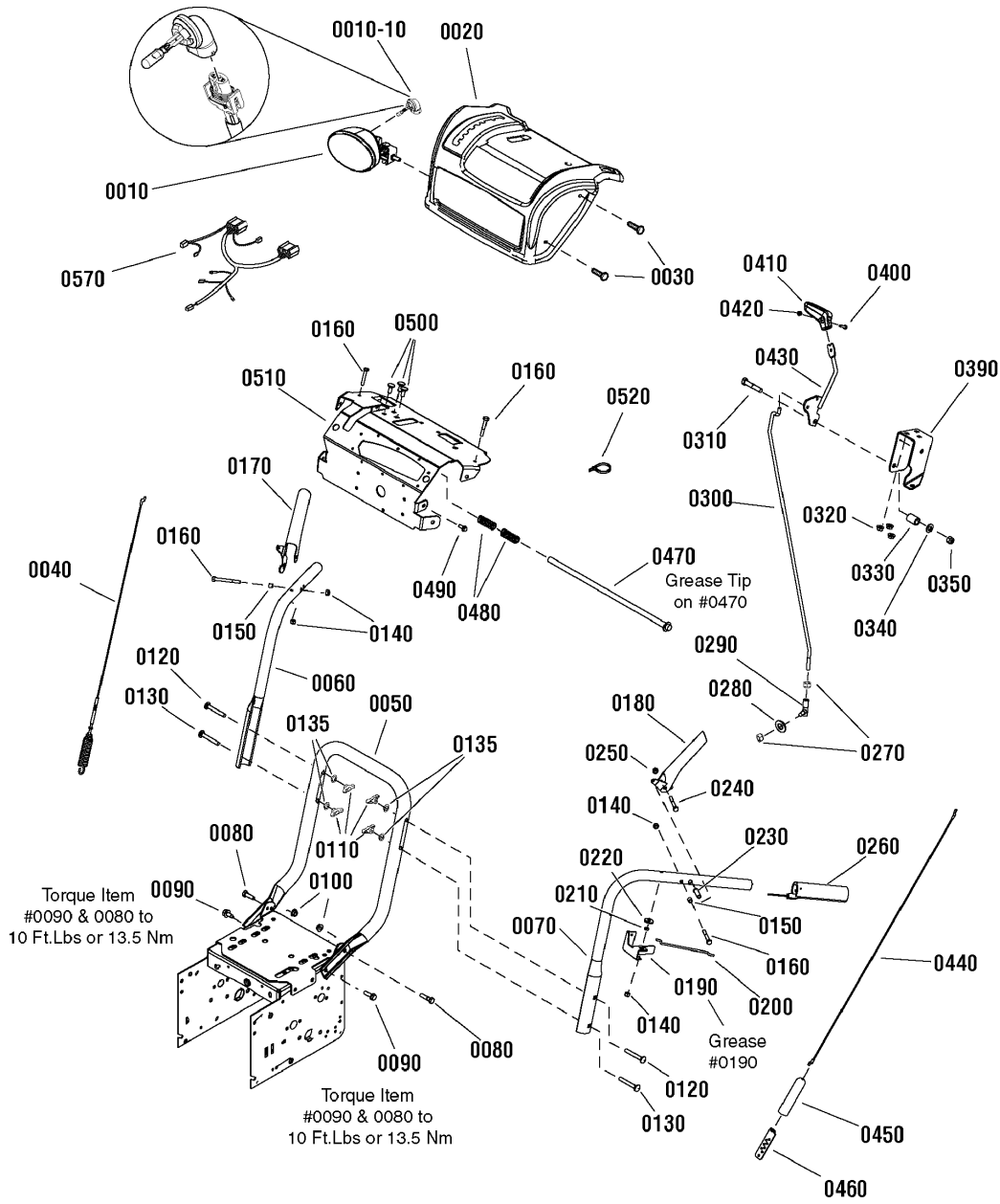
The above parts group applies to the following Mfg. Nos.:

1695839 - (1924E)

Handles & Controls Group - Light

989134

NOTE: Unless noted otherwise,
use the standard hardware torque
specification chart.



The above parts group applies to the following Mfg. Nos.:

1695839 - (1924E)

Handles & Controls Group - Light

REF NO	PART NO.	QTY.	DESCRIPTION
0460	723259	1	BRACKET, Cable Adjusting
0470	1733509	1	ROD & SPRING ASSEMBLY
0480	2108360	2	SPRING, Compression
0490	1927429	4	CAPSCREW, Hex Washer Head, Taptite, 1/4-20 x 5/8
0500	1931333	3	BOLT, Carriage, 5/16-18 x 3/4
0510	1732064A	1	COVER, Dash
0520	1701011	5	TIE, Self Locking
0570	1737446	1	WIRING HARNESS

Not for
Reproduction

Footnotes

Note* See your local hardware store for replacement bulbs.

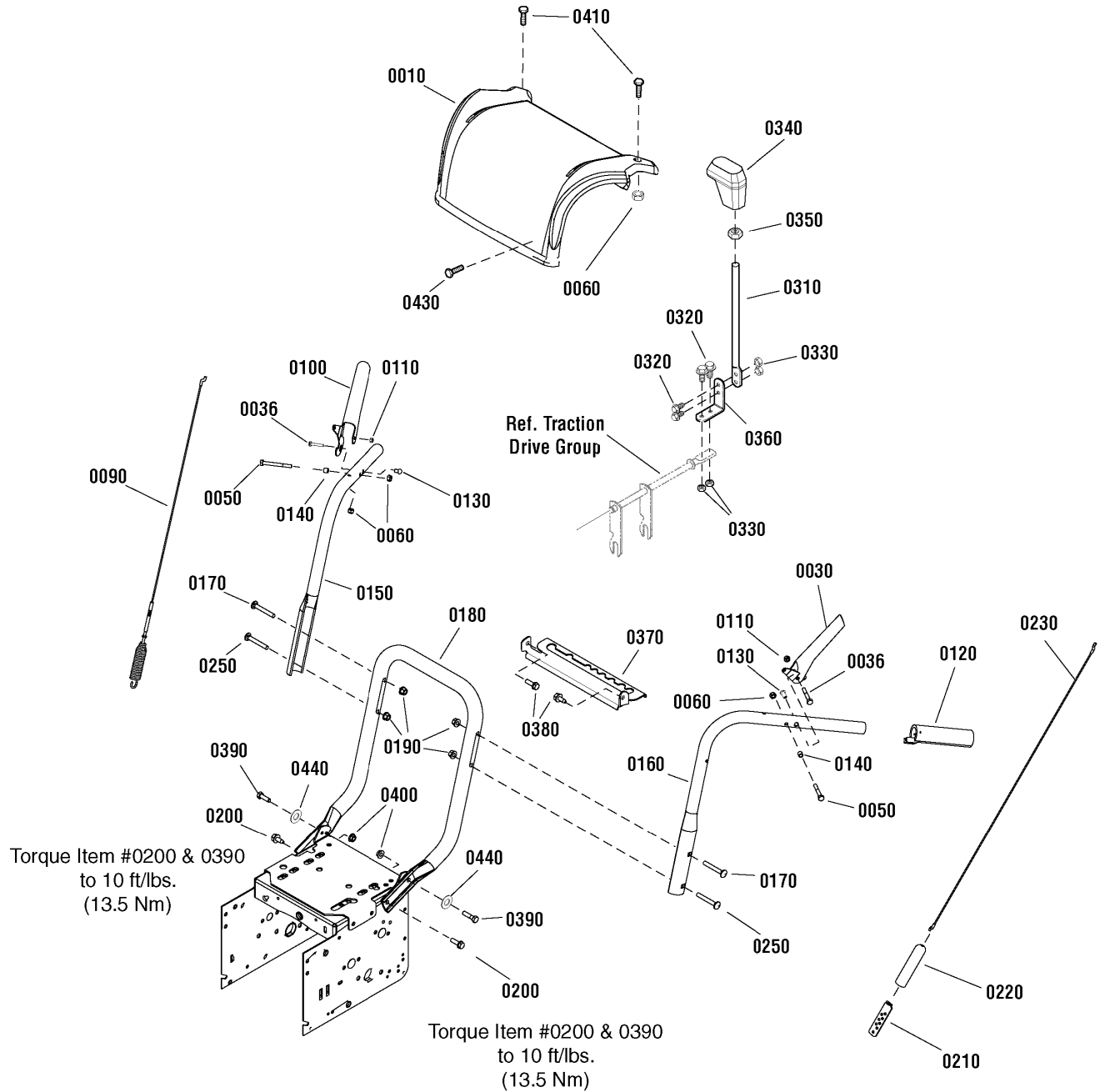
The above parts group applies to the following Mfg. Nos.:

1695839 - (1924E)

Handles & Controls Group - No Light

NOTE: Unless noted otherwise,
use the standard hardware torque
specification chart.

2989339



The above parts group applies to the following Mfg. Nos.:

1695840 - (H924RX)

Handles & Controls Group - No Light

REF NO	PART NO.	QTY.	DESCRIPTION
0010	1738089C	1	PANEL,Dash
0030	1739782A	1	LEVER, Clutch, LH
0036	1750554	2	BOLT, Shoulder, 10-24
0050	1921962	2	CAPSCREW, Hex Head, 1/4-20 x 1-3/4, G5
0060	1920397	4	NUT, Hex Lock, ESNA Light, 1/4-20
0090	1732471	1	CABLE & SPRING ASSEMBLY, RH
0100	1739783A	1	LEVER, Clutch, RH
0110	1933896	2	NUT, Hex Nylon Insert Lock, 10-24
0120	1726317	2	GRIP
0130	1736542	2	SPACER, Stepped
0140	1678392	2	SPACER, 1/4 ID x 3/8 OD
0150	1734587A	1	HANDLE, Upper, RH
0160	1734586A	1	HANDLE, Upper, LH
0170	1960273	2	BOLT, Carriage, Short Neck, 5/16-18 x 2-1/4, G5
0180	1737759A	1	HANDLE, Lower
0190	1739305	4	NUT, Hex Flange, ESNA, 5/16-18
0200	1664847	2	CAPSCREW, Hex Washer Head, Taptite, 5/16-18 x 3/4
0210	723259	1	BRACKET, Cable Adjusting
0220	723154	1	BOOT, Spring End Cover
0230	727331	1	CABLE, Front Drive
0250	1931338	2	BOLT, Carriage, Short Neck, 5/16-18 x 1-3/4, G5
0310	729138A	1	ROD, Shift
0320	723010	4	BOLT, Hex, 1/4-20 x 3/4, G5
0330	725429	4	NUT, Hex Centerlock, 1/4-20
0340	723074	1	GRIP, Lever
0350	723381	1	NUT, Hex Jam, 1/2-13
0360	725568	1	LEVER, Spring Shift
0370	1737760C	1	BRACKET, Gear Select
0380	1927429	2	CAPSCREW, Hex Washer Head, Taptite, 1/4-20 x 5/8
0390	1921333	2	CAPSCREW, Hex Head, 5/16-18 x 1, G5
0400	1935048	2	NUT, Hex Flange, Two Way Lock, 5/16-18
0410	1931320	2	BOLT, Carriage, Short Neck, 1/4-20 x 1-1/4, G5
0430	1960556	2	SCREW, Pan Head Torx, Taptite, 1/4-20 x 3/4
0440	725331	2	WASHER, Flat, 11/32

Footnotes

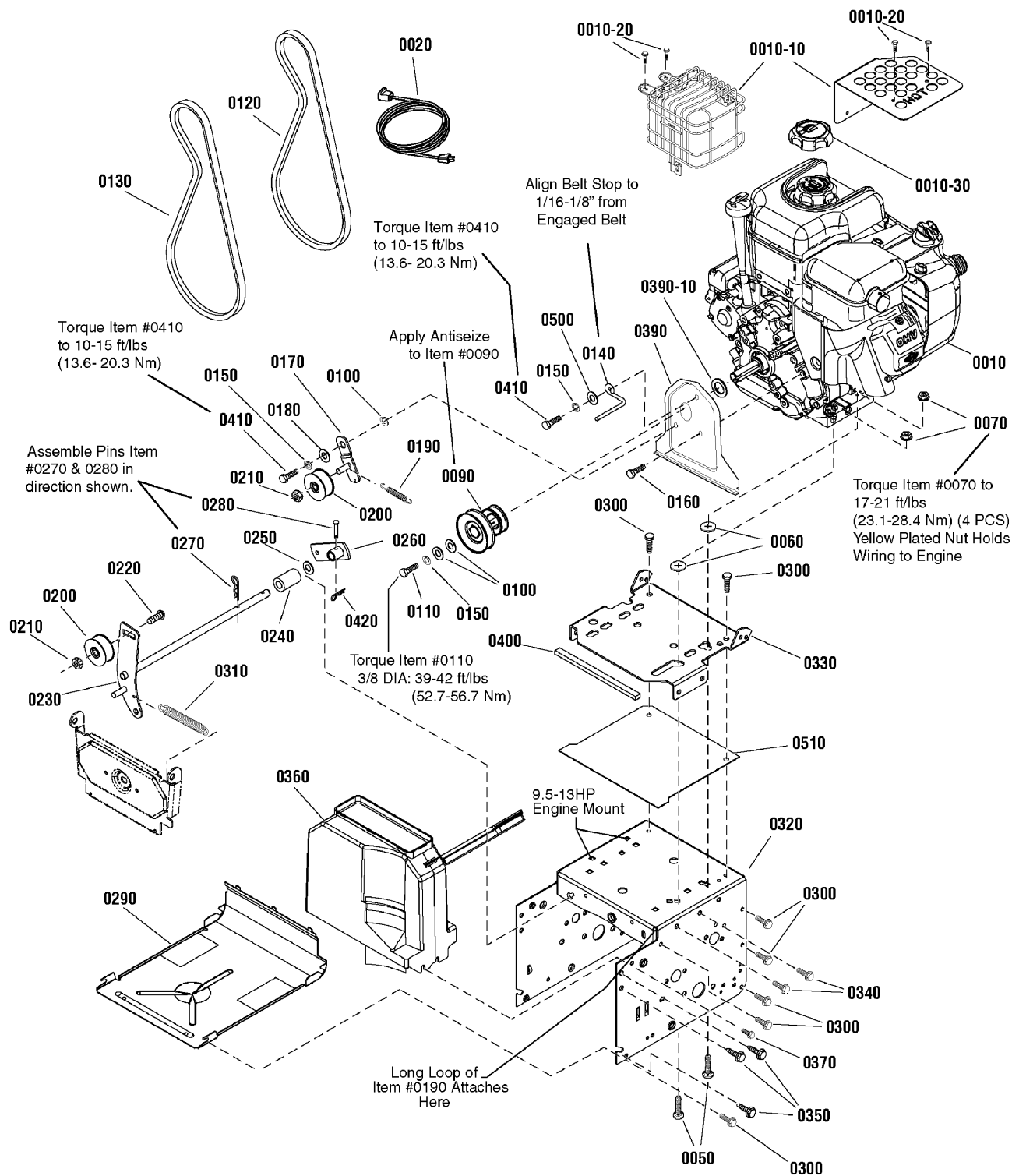
The above parts group applies to the following Mfg. Nos.:

1695840 - (H924RX)

Engine & Frame Group

NOTE: Unless noted otherwise, use the standard hardware torque specification chart.

2989127



The above parts group applies to the following Mfg. Nos.:

- 1695839 - (I924E)
- 1695840 - (H924RX)

Engine & Frame Group

REF NO	PART NO.	QTY.	DESCRIPTION
0010	12D112-0143-E8	1	* ENGINE, 9TP Briggs & Stratton (CE/Export)
0010	12D114-0127-E8	1	* ENGINE, 9TP Briggs & Stratton (Domestic Only)
0010-10	793193	1	GUARD, Muffler, Cage (CE/Export)
0010-10	797003	1	GUARD, Muffler, Plate (Domestic Only)
0010-20	699854	1	SCREW, Muffler Guard
0010-30	792647	1	CAP, Fuel (CE/Export)
0020	724865	1	CORD, Electric (Domestic Only)
0050	720064	4	BOLT, Carriage, 5/16-18 x 1-1/2
0060	720376	4	NUT, Push, 1/4 Stud
0070	1739305	4	NUT, Hex Flange, ESNA, 5/16-18
0090	722085	1	PULLEY, Engine
0100	1919381	3	WASHER, 5/16
0110	1921982	1	CAPSCREW, Hex Head, 5/16-24 x 1-1/4, G5
0120	1733324	1	V-BELT 3L 33.13
0130	724801	1	BELT, AUG V4L 38.10 MF 05-10B
0140	1739070	1	BELT GUIDE
0150	1917356	4	LOCKWASHER, Spring, 5/16
0160	1921515	1	CAPSCREW, Hex Head, 5/16-24 x 3/4, G5
0170	722090	1	IDLER BRACKET
0180	722072	1	BUSHING, Idler Bracket
0190	722457	1	SPRING, Extension, Idler
0200	722378	2	IDLER, Plastic Ball Bearing
0210	1960251	2	NUT, Hex Centerlock Jam, 3/8-16
0220	724823	1	BOLT, Carriage, Short Neck, 3/8-16 x 1-1/4, G5
0230	722132	1	AUGER IDLER
0240	722118	1	SPACER, 1/2 ID x 1 OD x 1-3/4
0250	1960027	1	WASHER, 1/2
0260	1733451	1	ARM, Control
0270	725367	1	PIN, Hair, 3/8
0280	1736381	1	PIN, Clevis
0290	1740906A	1	PANEL, Bottom
0300	1927429	12	CAPSCREW, Hex Washer Head, Taptite, 1/4-20 x 5/8
0310	722455	1	SPRING, Extension, Auger
0320	1740572C	1	FRAME
0330	1733583C	1	PLATE, Engine Mount
0340	722838	4	CAPSCREW, Hex Washer Head, 5/16-18 x 1/2
0350	1664847	6	CAPSCREW, Hex Washer Head, Taptite, 5/16-18 x 3/4
0360	1733923	1	BELT COVER ASSEMBLY
0370	722887	2	SCREW, Hex Washer Head, Tapping, SEMS, 1/4-20 x 3/4
0390	1733868A	1	PLATE, Seal
0390-10	1733898	1	SEAL, Foam
0400	1750172	1	SEAL, Strip
0410	725996	2	BOLT, Hex, 5/16-24 x 1
0420	7023590	1	PIN, Cotter, Self Lock, 1/4

Footnotes

Note* See your local Briggs & Stratton Distributor for Parts & Service.

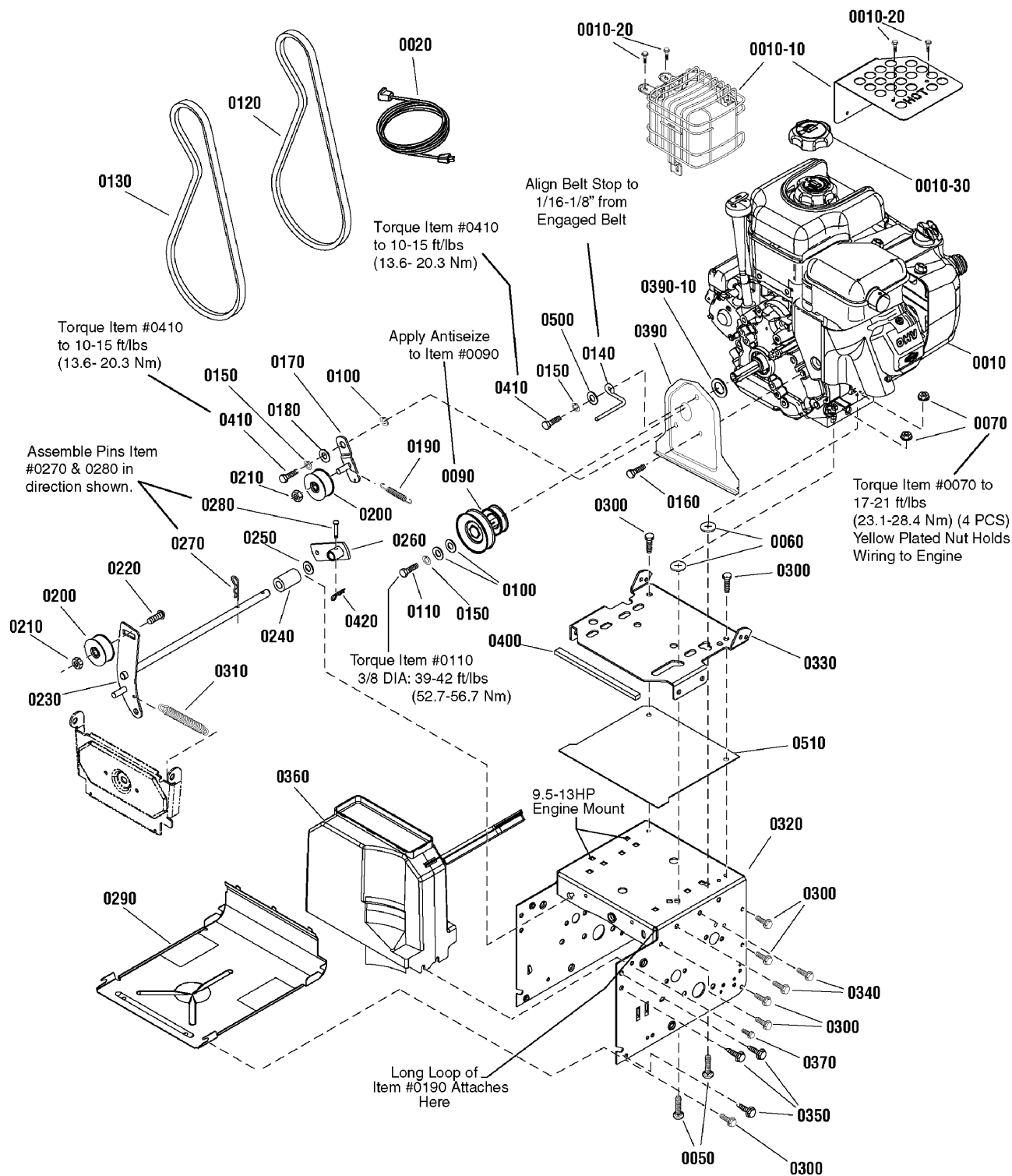
The above parts group applies to the following Mfg. Nos.:

1695839 - (I924E)
1695840 - (H924RX)

Engine & Frame Group

NOTE: Unless noted otherwise, use the standard hardware torque specification chart.

2989127



The above parts group applies to the following Mfg. Nos.:

- 1695839 - (I924E)
- 1695840 - (H924RX)

Engine & Frame Group

REF NO	PART NO.	QTY.	DESCRIPTION
0500	7091528	1	WASHER, Flat, 3/8
0510	1750135	1	SEAL, Engine Plate

Not for
Reproduction

Footnotes

Note* See your local Briggs & Stratton Distributor for Parts & Service.

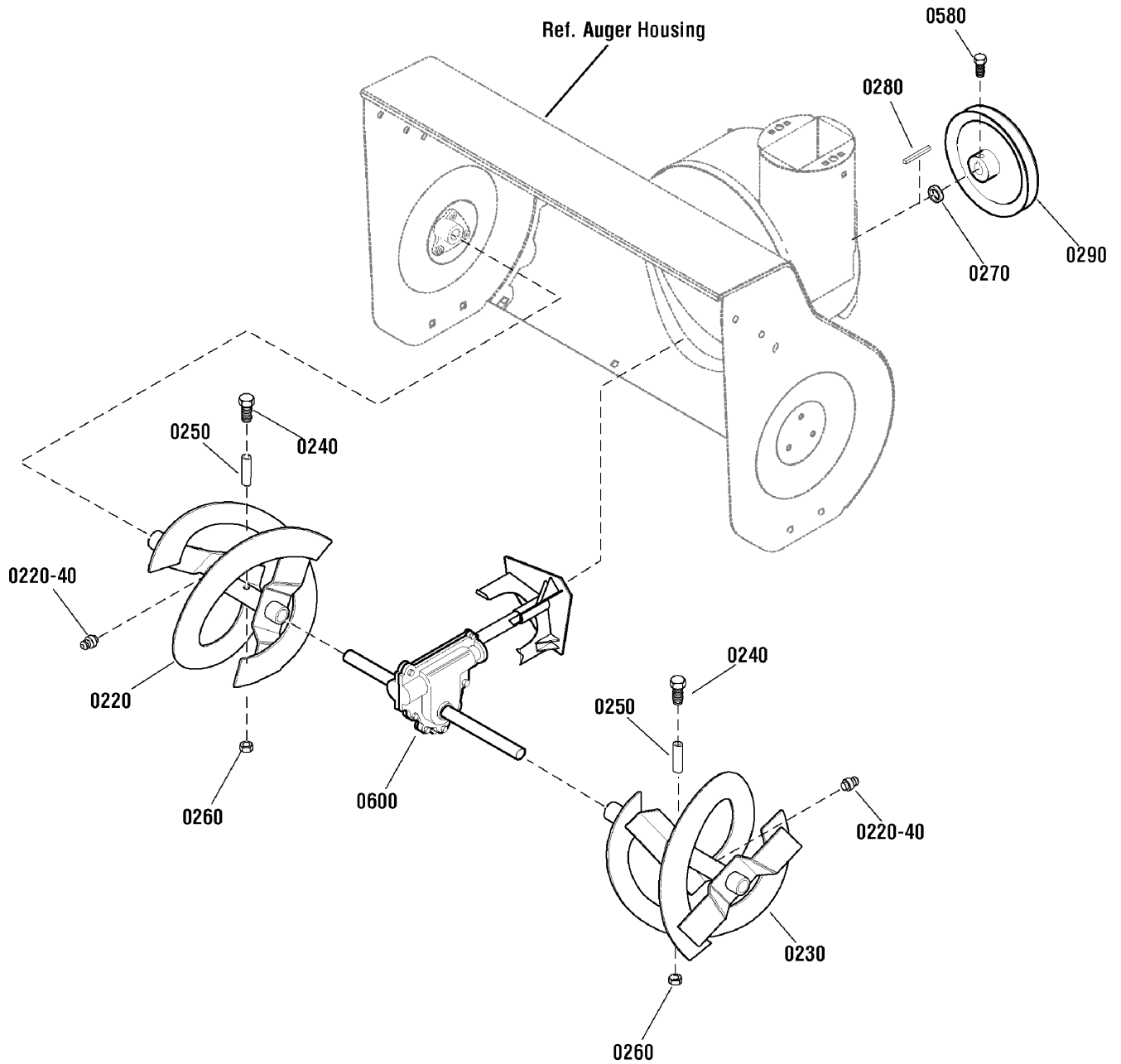
The above parts group applies to the following Mfg. Nos.:

1695839 - (I924E)
1695840 - (H924RX)

Auger Drive Group

989301

NOTE: Unless noted otherwise,
use the standard hardware torque
specification chart.



The above parts group applies to the following Mfg. Nos.:

1695839 - (I924E)

1695840 - (H924RX)

Auger Drive Group

REF NO	PART NO.	QTY.	DESCRIPTION
0220	1739262A	1	AUGER, RH (Includes Ref. No. 0010-20)
0230	1739261A	1	AUGER, LH
0220-40	721620	2	FITTING, Zerk (Includes Ref. No. 0010-20)
0240	726061	2	CAPSCREW, Hex Head, 1/4-20 x 1-1-3/4, G2
0250	723913	2	SPACER, Sleeve, 1/4 x 1/2
0260	725429	2	NUT, Hex Centerlock, 1/4-20
0270	722110	1	SPACER, Friction Pulley
0280	722726	1	KEY, Square 3/16 x 3/4
0290	722128	1	PULLEY, V4L 6.12 x .67
0580	724555	2	CAPSCREW, Hex Head, 5/16-18 x 5/8
0600	1738602	1	GEAR CASE ASSEMBLY, Complete
--	722130	1	SHEAR BOLT KIT

Not for
Reproduction

Footnotes

The above parts group applies to the following Mfg. Nos.:

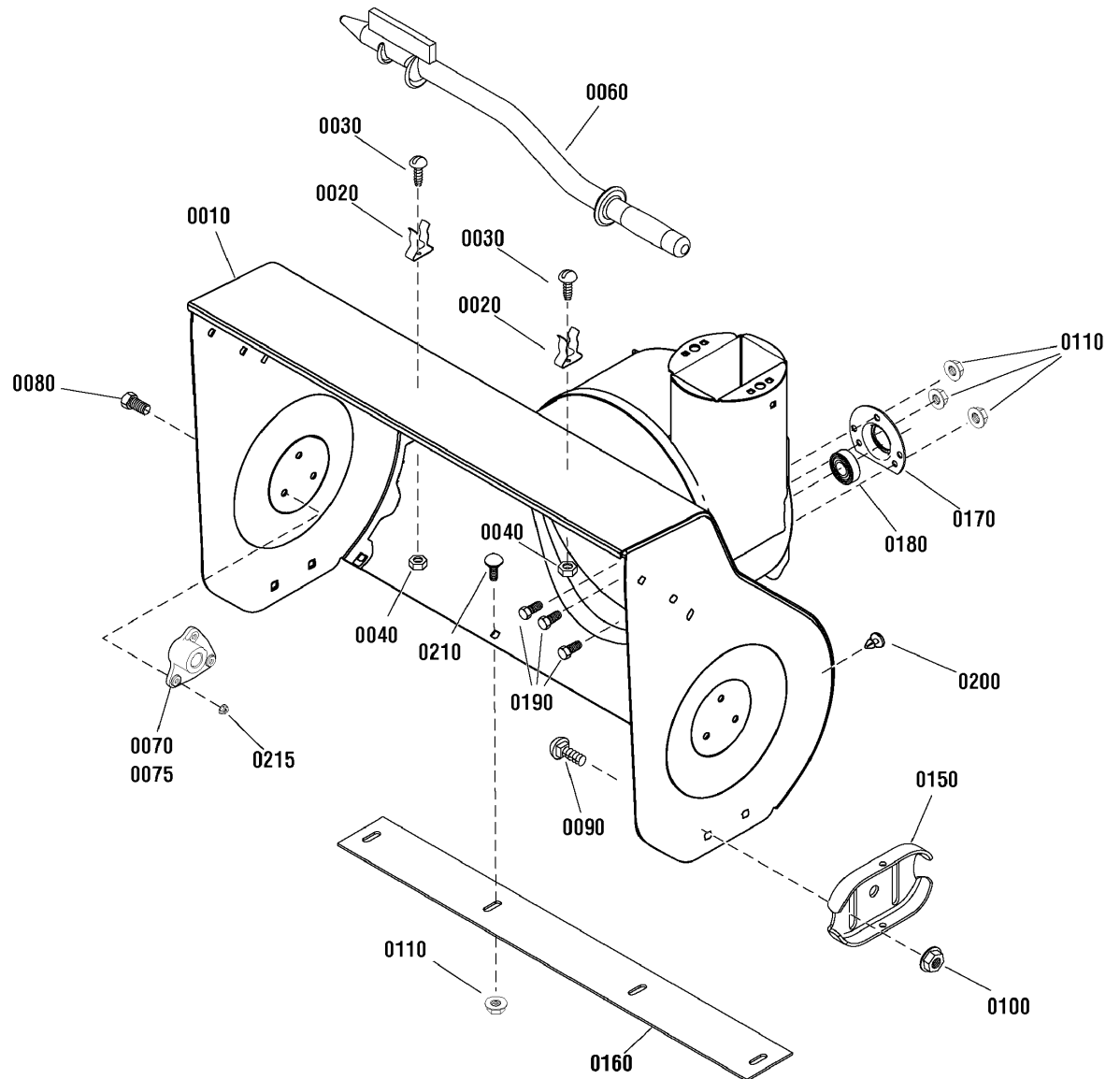
1695839 - (I924E)

1695840 - (H924RX)

Auger Housing Group

2989344

NOTE: Unless noted otherwise,
use the standard hardware torque
specification chart.



The above parts group applies to the following Mfg. Nos.:

1695839 - (I924E)

1695840 - (H924RX)

Auger Housing Group

REF NO	PART NO.	QTY.	DESCRIPTION
0010	1750664C	1	AUGER HOUSING
0020	1736620	2	CLAMP, Spring
0030	1960569	2	SCREW, Truss Head Torx, #10-24 x 3/8
0040	7091290	2	NUT, Hex Lock, Nylon\, #10C
0060	1736094	1	BRUSH, Cleanout
0070	1739732	1	BEARING, Auger, RH
0075	1739761	1	BEARING, Auger, LH
0080	1935450	6	CAPSCREW, Hex Flange, 1/4-20 x 3/4
0090	7091547	4	BOLT, Carriage, Short Neck, 3/8C x 3/4, GR5
0100	7091619	4	NUT, Hex Flange Lock, 3/8C
0110	725273	7	NUT, Hex Flange Serrated Lock, 5/16-18
0150	1727854A	2	SKID SHOE
0160	1738301A	1	BLADE, Scraper, 24
0170	724712	1	RETAINER, Ball Bearing
0180	1705897	1	BEARING, Ball, 11/16 x 1-9/16 x 15/32
0190	7090001	3	BOLT, Carriage, Short Neck, 5/16C x 3/4, GR5
0200	725521	2	PLUG, Panel
0210	7090799	4	BOLT, Carriage, Short Neck, 5/16C x 5/8, GR5
0215	722398	6	NUT, Flange Lock, 1/4-20

Not for
Reproduction

Footnotes

The above parts group applies to the following Mfg. Nos.:

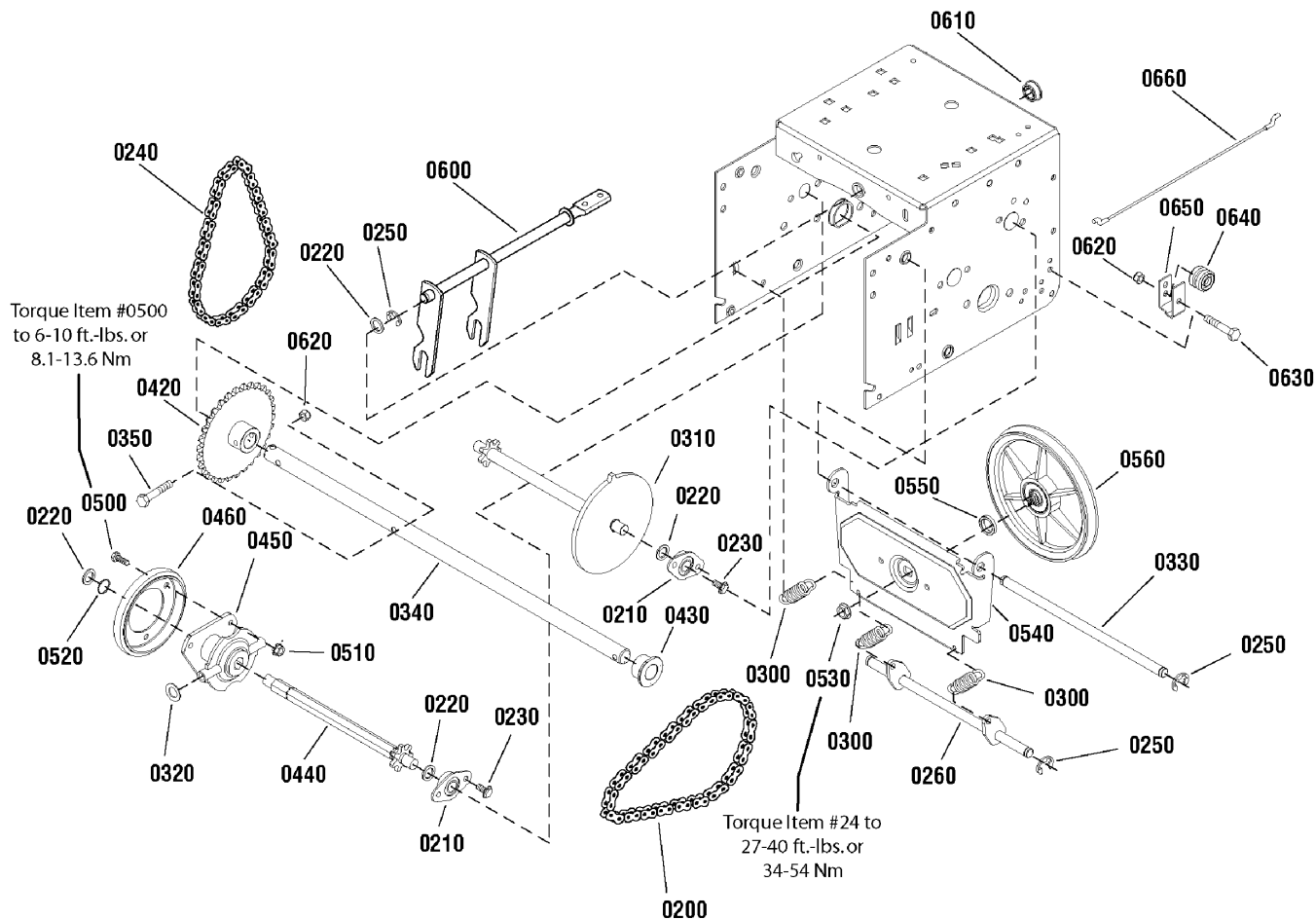
1695839 - (I924E)

1695840 - (H924RX)

Traction Drive Group

NOTE: Unless noted otherwise,
use the standard hardware torque
specification chart.

2988739



The above parts group applies to the following Mfg. Nos.:

1695839 - (I924E)

1695840 - (H924RX)

Traction Drive Group

REF NO	PART NO.	QTY.	DESCRIPTION
0200	724613	1	CHAIN, Roller, #420 x 19.00
0210	723655	4	BEARING AND RETAINER ASSEMBLY
0220	724619	5	WASHER, Flat, 1/2
0230	1924856	8	SCREW, Hex Washer Head Taptite, 5/16-18 x 1/2
0240	724627	1	CHAIN, ROLLER #420 X 18.00 LG
0250	721910	5	RETAINER, Ring
0260	722377	1	SPRING LINK ASSEMBLY
0300	1736469	3	SPRING, Extension
0310	722081	1	SPROCKET, Set
0320	1960027	2	WASHER, 1/2
0330	722082	1	AXLE, Swing Plate
0340	722209	1	AXLE, 3/4 Dia. X 21-5/16
0350	720220	1	SCREW, 1/4 - 20 x 1-3/4
0420	722080	1	SPROCKET, Axle
0430	722091	2	BEARING, AXLE
0440	722083	1	HEX SHAFT & SPROCKET ASSEMBLY
0450	1739282	1	BEARING TRUNNION ASSEMBLY
0460	722185	1	WHEEL, FRICTION DISC
0500	1921959	3	CAPSCREW, Hex Head 1/4-20 x 5/8 G5
0510	1928372	3	NUT, Hex KEPS 1/4-20
0520	1733326	1	RING, Retaining Extension
0530	722391	1	NUT, FLANGE LOCK 3/8-24
0540	722069	1	PLATE, Swinging
0550	722110	1	SPACER, Friction Pulley
0560	722092	1	FRICTION PULLY
0600	722078	1	ASSEMBLY, Speed Selector
0600	722087	1	ASSEMBLY, Speed Selector
0610	724636	1	BEARING, Flange
0620	1920397	2	NUT, Hex Lock ESNA Light 1/4-20
0630	1922837	1	CAPSCREW, Hex Head, 1/4-20 x 1-1/2 G5
0640	724621	1	SPOOL CABLE, Auger Control
0650	722070	1	BRACKET, CABLE SPOOL YZ
0660	722095	1	CABLE, Front Drive Lower All

Footnotes

The above parts group applies to the following Mfg. Nos.:

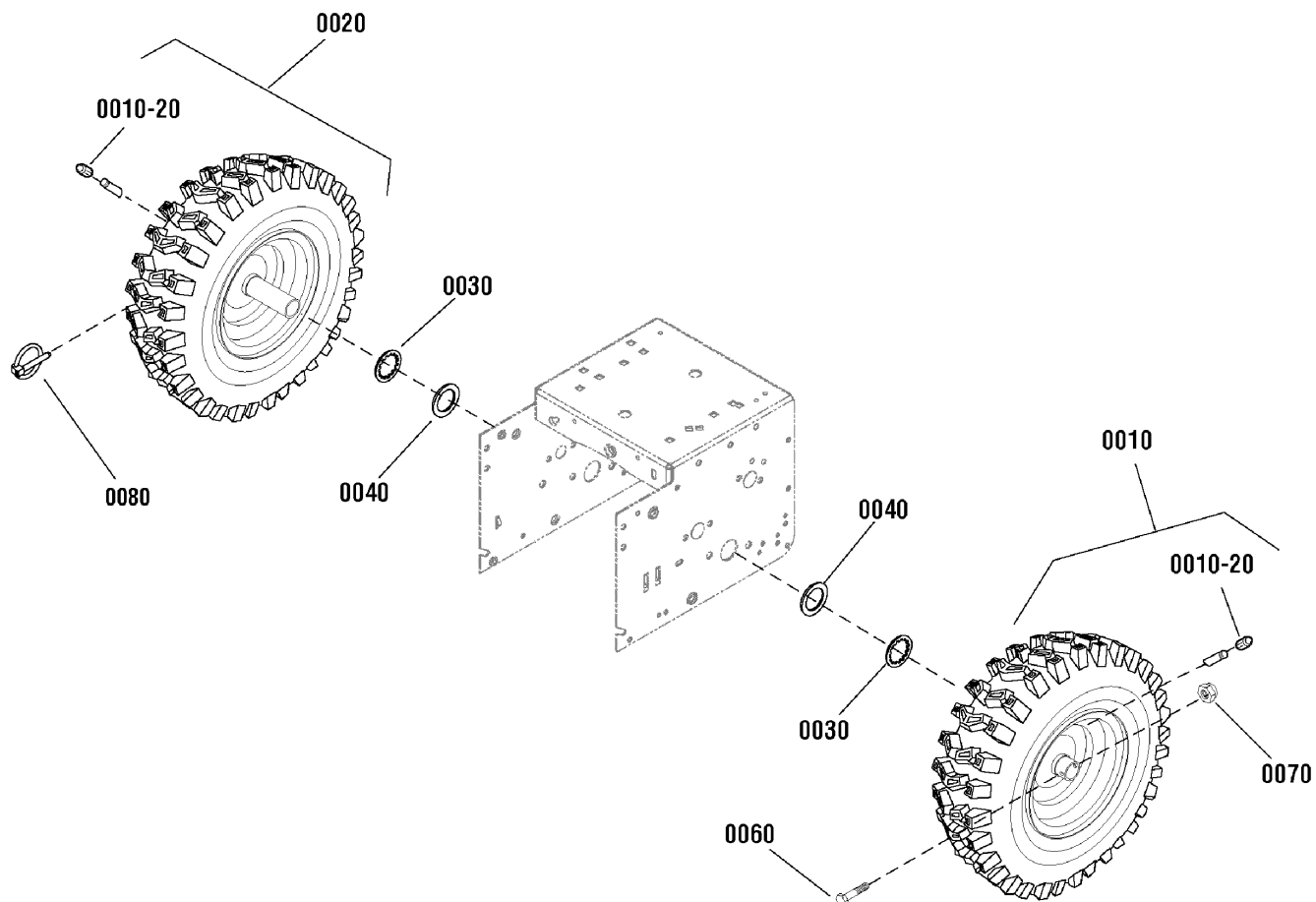
1695839 - (I924E)

1695840 - (H924RX)

Wheels & Tires Group - 1 Pin

989084

NOTE: Unless noted otherwise,
use the standard hardware torque
specification chart.



The above parts group applies to the following Mfg. Nos.:

- 1695839 - (I924E)
- 1695840 - (H924RX)

Wheels & Tires Group - 1 Pin

REF NO	PART NO.	QTY.	DESCRIPTION
0010	1750333	1	WHEEL & TIRE ASSEMBLY, 13 X 5, LH (Includes Ref. No. 0010-20)
0010-20	2172353	2	VALVE STEM & CAP
0020	1750332	1	WHEEL & TIRE ASSEMBLY, 13 X 5, RH (Includes Ref. No. 0010-20)
0030	1657528	2	RING, Retaining
0040	725394	2	WASHER, Flat, 3/4
0060	724545	1	CAPSCREW, Hex, 1/4-20 x 1-3/4, G5
0070	722400	1	NUT, Hex Nylock, 1/4-20
0080	725431	1	PIN, Klik

Not for
Reproduction

Footnotes

The above parts group applies to the following Mfg. Nos.:

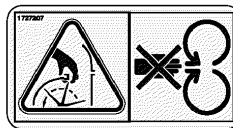
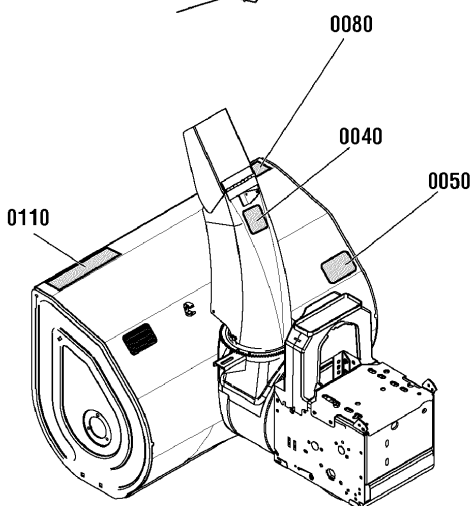
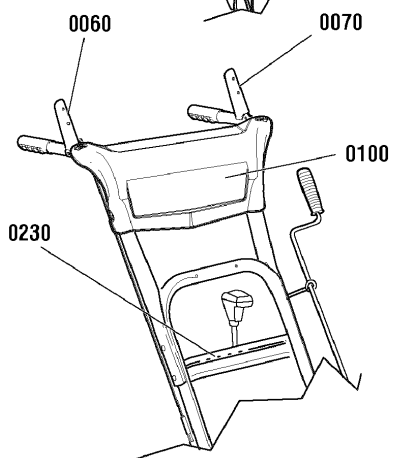
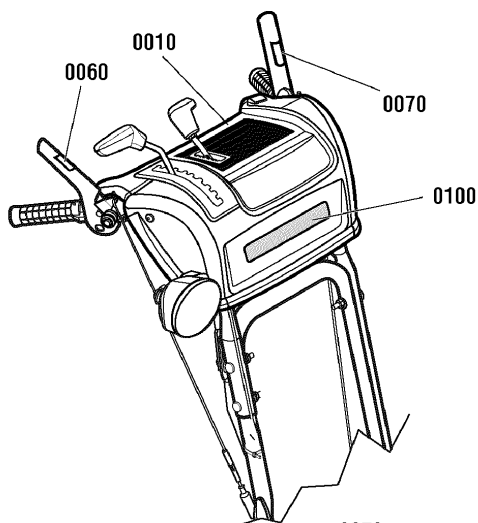
1695839 - (I924E)

1695840 - (H924RX)

Decals Group

NOTE: Unless noted otherwise, use the standard hardware torque specification chart.

2989336



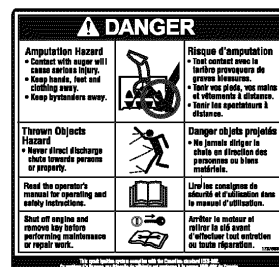
0040



0040



0050



0050



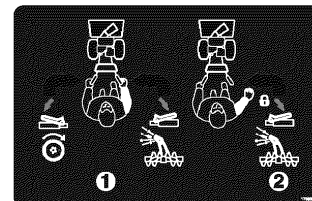
0060



0070



0110



0010



0230



0100



0080



0230

The above parts group applies to the following Mfg. Nos.:

- 1695839 - (I924E)
- 1695840 - (H924RX)

Decals Group

REF NO	PART NO.	QTY.	DESCRIPTION
0010	1738365	1	DECAL, Control Panel (Domestic)
0040	1727207	1	DECAL, Chute Warning (CE/Export)
0040	1737865	1	DECAL, Chute Warning (Domestic)
0050	1737867	1	DECAL, Danger Auger (CE/Export)
0050	1737866	1	DECAL, Danger Auger (Domestic)
0060	1737869	1	DECAL, Auger Control Symbols
0070	1737870	1	DECAL, Traction Control Symbols
0080	1733071	1	DECAL, Simplicity Stripe (CE/Export)
0080	1750423	1	DECAL, Housing, Model (Domestic)
0100	1751374	1	DECAL, Dash (CE/Export)
0100	1733199	1	DECAL, Dash (Domestic)
0110	1742240	1	DECAL, Housing, Model (CE/Export)
0230	1737871	1	DECAL, 1-6 Transmission Speed Control, Horizontal (CE/Export)
0230	1751582	1	DECAL, 1-6 Transmission Speed Control, Vertical (Domestic)

Not for
Reproduction

Footnotes

The above parts group applies to the following Mfg. Nos.:

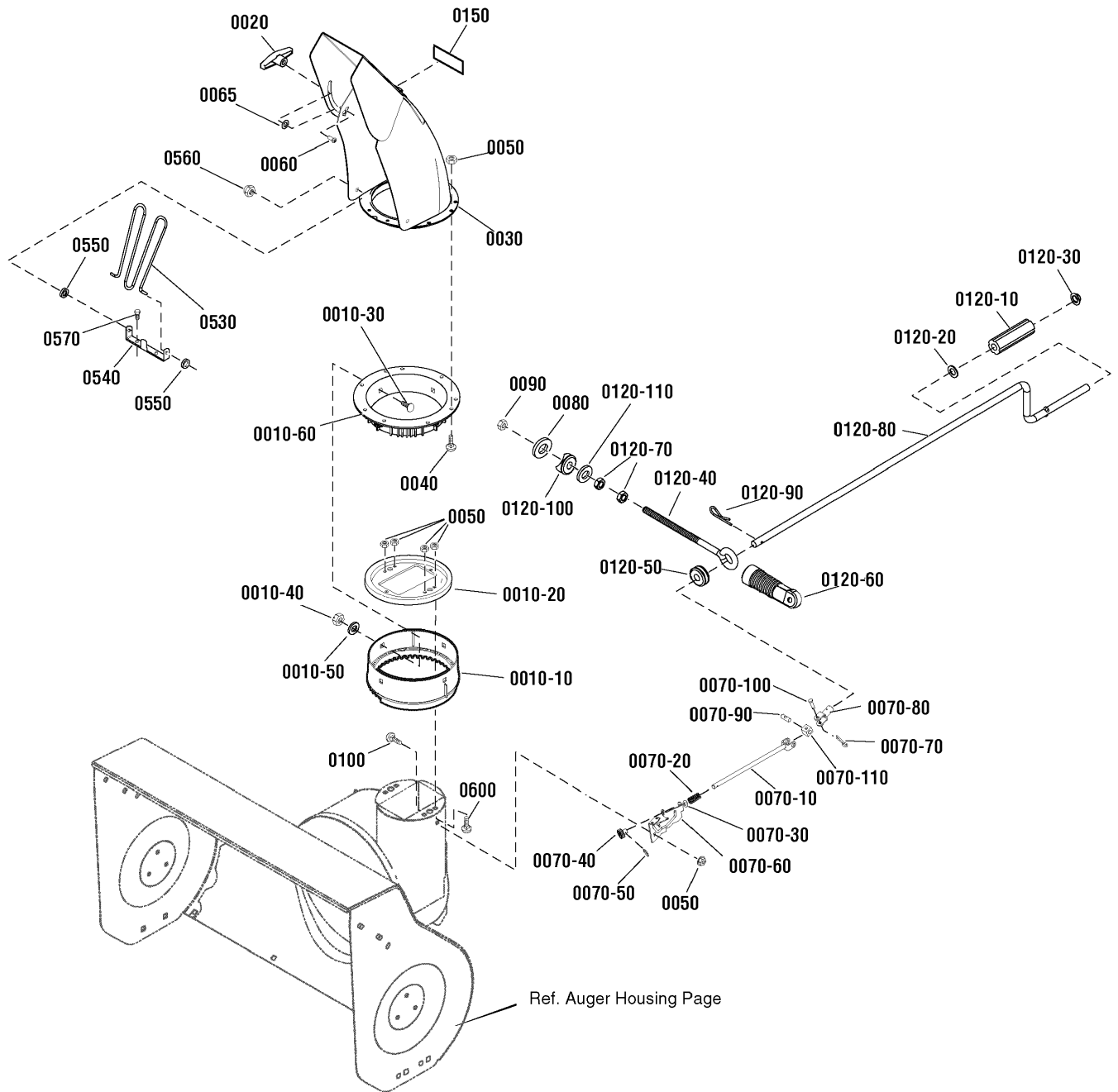
1695839 - (I924E)

1695840 - (H924RX)

Discharge Chute Group

NOTE: Unless noted otherwise,
use the standard hardware torque
specification chart.

2989337



The above parts group applies to the following Mfg. Nos.:

1695839 - (I924E)

1695840 - (H924RX)

Discharge Chute Group

REF NO	PART NO.	QTY.	DESCRIPTION
0010-10	722138	1	RING, Outer Chute
0010-20	722340	1	COLLAR, Chute Rotate
0010-30	722899	4	BOLT, Carriage, 5/16-18 x 1
0010-40	725321	4	NUT, Hex Nylock, 5/16-18
0010-50	725331	4	WASHER, Flat, 11/32
0010-60	1741917	1	RING, Inner Chute
0020	722136	1	KNOB, Wing, 5816-18
0030	1736380C	1	CHUTE
0040	7091530	4	BOLT, Carriage, Short Neck, 1/4-20 x 3/4, G5
0050	5025391	9	NUT, Hex Flange, Nylock, 1/4-20
0060	720064	1	BOLT, Carriage, 5/16-18 x 1-1/2
0065	2860210	1	WASHER, Nylon
0070-10	722202	1	ROD, Yoke Crank
0070-20	722414	1	SPRING, Compression
0070-30	720164	1	WASHER, Flat, 3/8
0070-40	722073	1	GEAR,9 Tooth
0070-50	722139	1	PIN, Hair, Chute Gear
0070-60	1740591A	1	BRACKET, Chute Gear
0070-70	724605	1	PIN, Cotter
0070-80	722076	1	YOKE TUBE ASSEMBLY, Adapter
0070-90	724564	1	PIN, Universal Joint
0070-10	724579	1	PIN, Clevis
0070-11	724565	1	BLOCK, Universal Pivot
0080	725332	1	WASHER, Flat, 1/2
0090	727481	1	NUT, Hex Nylock, 3/8-16
0100	720386	1	BOLT, Carriage, 1/4-20 x 3/4
0120-10	723140	1	GRIP, Chute Crank
0120-20	723184	2	WASHER, Flat, 1/2
0120-30	725415	1	NUT, Push, 3/8
0120-40	722191	1	EYEBOLT, 3/8-16 x 6-1/2
0120-50	722044	1	GROMMET, Eyebolt
0120-60	722192	1	BOOT, Eyebolt
0120-70	725323	2	NUT, Hex Jam, 3/8-16
0120-80	722075	1	CRANK, Chute Turn
0120-90	725367	1	PIN, Hair, 3/8
0120-10	723186	1	ADAPTOR, Boot to Handle
0120-11	725332	1	WASHER, Flat, 1/2
0150	1706085	2	DECAL, Hinge
0530	1733475	1	GUARD, Chute (CE/Export)
0540	1737683	1	BRACKET, Chute Guard (CE/Export)
0550	1738174	2	GROMMET, Chute Guard (CE/Export)
0560	1960140	2	NUT, Push, 3/16 Stud (CE/Export)
0570	1925003	2	CAPSCREW, Hex Washer Head, Taptite, 1/4-20 x 1/2 (CE/Export)
0600	1935450	4	CAPSCREW, Hex Flange Head, 1/4-20 x 3/4, G5 (CE/Export)

Footnotes

The above parts group applies to the following Mfg. Nos.:

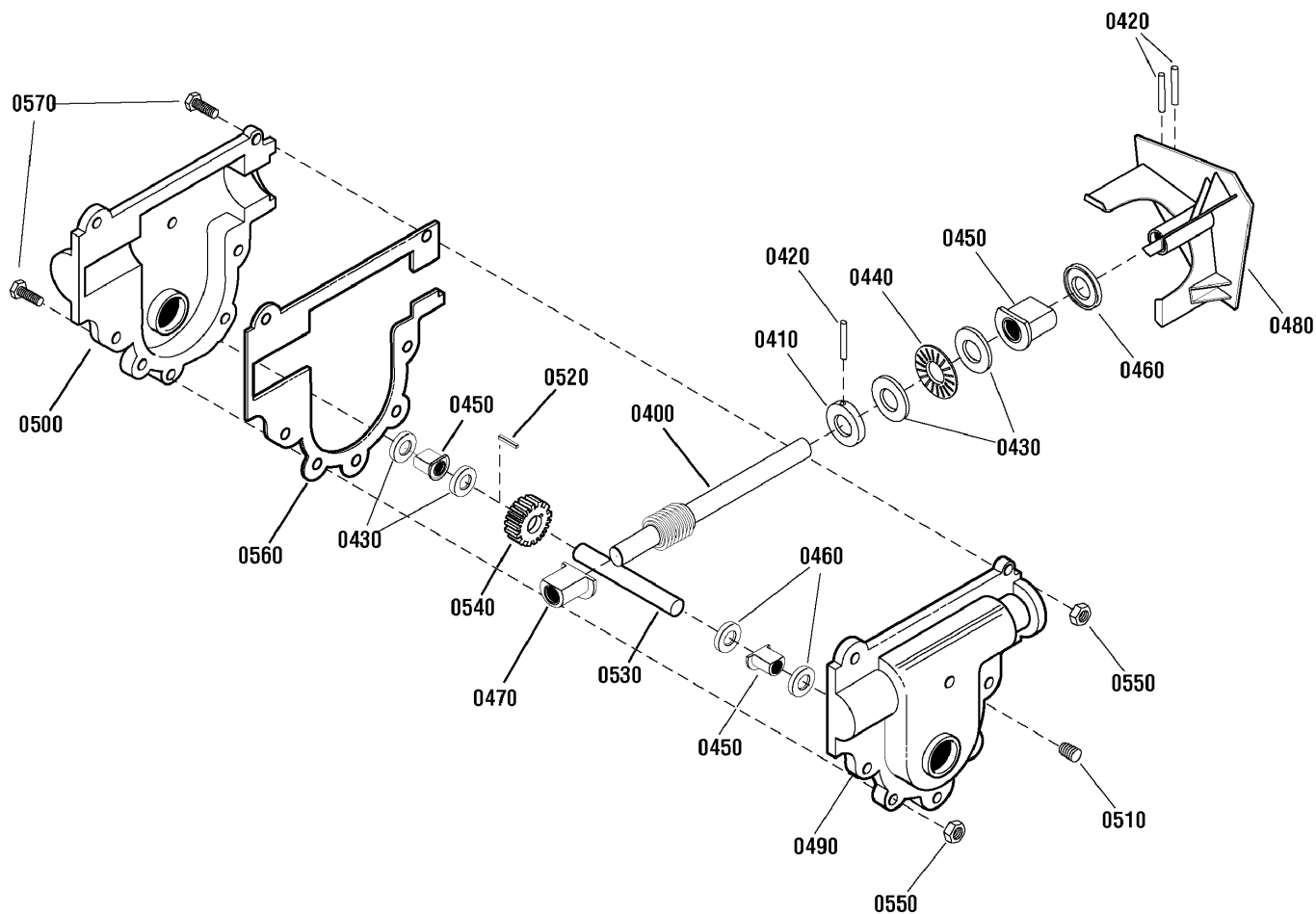
1695839 - (I924E)

1695840 - (H924RX)

Gear Case Assembly

NOTE: Unless noted otherwise,
use the standard hardware torque
specification chart.

1738602



The above parts group applies to the following Mfg. Nos.:

1695839 - (I924E)

1695840 - (H924RX)

Gear Case Assembly

REF NO	PART NO.	QTY.	DESCRIPTION
0400	722115	1	SHAFT, Impeller
0410	724639	1	COLLAR, Thrust, 3/4 x 1-1/4
0420	724042	3	PIN, Spring
0430	724079	4	WASHER, Thrust
0440	724352	1	BEARING, Roll Thrust, 3/4 ID x 1-1/4 OD
0450	724339	3	BEARING, Flange, 3/4 ID x 1 OD
0460	726077	3	SEAL, Oil
0470	724337	1	BEARING, Flange, 1/2 ID x 3/4 ID
0480	1740929A	1	IMPELLER
0490	721647	1	CASE, Gear, LH
0500	721649	1	CASE, Gear, RH
0510	726003	1	CAPSCREW, Hex Washer Head, Tapping, 3/8-16 x 1/2
0520	723995	1	KEY, Woodruff
0530	727601	1	SHAFT, Output
0540	724379	1	GEAR, Worm
0550	722398	7	NUT, Flange Lock, 1/4-20
0560	724373	1	GASKET
0570	727590	7	CAPSCREW, 1/4-20 x 3/4, GR5

Not for
Reproduction

Footnotes

The above parts group applies to the following Mfg. Nos.:

1695839 - (I924E)

1695840 - (H924RX)

Not for
Reproduction

Not for
Reproduction

Not for
Reproduction

Hardware Identification & Torque Specifications

Torque Specification Chart								
FOR STANDARD METRIC MACHINE HARDWARE (Tolerance ± 20%)								
Property Class	5.6		8.8		10.9		12.9	
	Class 5.6		Class 8.8		Class 10.9		Class 12.9	
Size Of Hardware	in/lbs	Nm.	in/lbs	Nm.	in/lbs	Nm.	in/lbs	Nm.
	ft/lbs		ft/lbs		ft/lbs		ft/lbs	
M3	5.88	.56	13.44	1.28	19.2	1.80	22.92	2.15
M4	13.44	1.28	30.72	2.90	43.44	4.10	52.56	4.95
M5	26.4	2.50	60.96	5.75	5.97	8.10	7.15	9.7
M6	44.64	4.3	7.3	9.9	10.3	14	12.1	16.5
M7	5.2	7.1	12.1	16.5	16.9	23	19.9	27
M8	7.7	10.5	17.7	24	25	34	29	40
M10	15	21	35	48	50	67	59	81
M12	26	36	61	83	86.2	117	103	140
M14	42	58	101	132	136	185	162	220
M16	64	88	147	200	210	285	250	340
M18	89	121	202	275	287	390	346	470
M20	126	171	290	390	405	550	486	660
M22	169	230	390	530	559	745	656	890
M24	217	295	497	375	708	960	840	1140
M27	320	435	733	995	1032	1400	1239	1680
M30	435	590	995	1350	1401	1900	1681	2280
M33	590	800	1349	1830	1902	2580	2278	3090
M36	759	1030	1740	2360	2441	3310	2935	3980
M39	988	1340	2249	3050	3163	4290	3798	5150

Torque Specification Chart						
FOR STANDARD MACHINE HARDWARE (Tolerance ± 20%)						
Hardware Grade	No Marks		SAE Grade 5		SAE Grade 8	
	SAE Grade 2		SAE Grade 5		SAE Grade 8	
Size Of Hardware	in/lbs	Nm.	in/lbs	Nm.	in/lbs	Nm.
	ft/lbs		ft/lbs		ft/lbs	
8-32	19	2.1	30	3.4	41	4.6
8-36	20	2.3	31	3.5	43	4.9
10-24	27	3.1	43	4.9	60	6.8
10-32	31	3.5	49	5.5	68	7.7
1/4-20	66	7.6	8	10.9	12	16.3
1/4-28	76	8.6	10	13.6	14	19.0
5/16-18	11	15.0	17	23.1	25	34.0
5/16-24	12	16.3	19	25.8	29	34.0
3/8-16	20	27.2	30	40.8	45	61.2
3/8-24	23	31.3	35	47.6	50	68.0
7/16-14	30	40.8	50	68.0	70	95.2
7/16-20	35	47.6	55	74.8	80	108.8
1/2-13	50	68.0	75	102.0	110	149.6
1/2-20	55	74.8	90	122.4	120	163.2
9/16-12	65	88.4	110	149.6	150	204.0
9/16-18	75	102.0	120	163.2	170	231.2
5/8-11	90	122.4	150	204.0	220	299.2
5/8-18	100	136	180	244.8	240	326.4
3/4-10	160	217.6	260	353.6	386	525.0
3/4-16	180	244.8	300	408.0	420	571.2
7/8-9	140	190.4	400	544.0	600	816.0
7/8-14	155	210.8	440	598.4	660	897.6
1-8	220	299.2	580	788.8	900	1,244.0
1-12	240	326.4	640	870.4	1,000	1,360.0

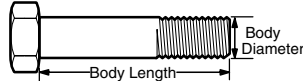
The guides and ruler furnished below are designed to help you select the appropriate hardware.



Nut, M8

Thread Diameter (mm)
Inside Diameter (in)
Threads per inch

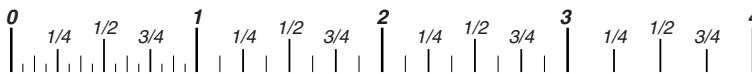
Nut, 1/2-16



Screw, M8- 1.25 x 25

Thread Diameter (mm)
Body Diameter
Distance between threads (mm)
Threads per inch
Body Length (mm)
Body Length (in)

Screw, 1/2- 16 x 2



Standard Hardware Sizing

When a washer or nut is identified as **1/2"** (M8), this is the *Nominal size*, meaning the *inside diameter* is 1/2 inch (8mm metric thread diameter); if a second number is present it represents the *threads per inch* (distance between threads).

When bolt or capscrew is identified as **1/2 - 16 x 2"** (M8 - 1.25 x 50), this means the *Nominal size*, or body diameter is 1/2 inch (8mm metric thread diameter), the second number, 16, represents the *threads per inch*, (1.25 thread diameter). The final number is the body length of the bolt or screw, 2 inches (50mm).

NOTES

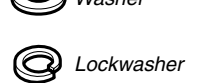
- These torque values are to be used for all hardware excluding: locknuts, self-tapping screws, thread forming screws, sheet metal screws and socket head setscrews.
- Recommended seating torque values for locknuts:
 - for prevailing torque locknuts - use 65% of grade 5 torques.
 - for flange whizlock nuts and screws - use 135% of grade 5 torques.
- Unless otherwise noted on assembly drawings, all torque values must meet this specification.

Common Hardware Types

Hex Head Capscrew



Washer



Carriage Bolt



Hex Nut

Wrench & Fastener Size Guide

1/4" Bolt or Nut Wrench—7/16"	5/16" Bolt or Nut Wrench—1/2"	3/8" Bolt or Nut Wrench—9/16"	7/16" Bolt or Nut Wrench (Bolt)—5/8" Wrench (Nut)—11/16"	1/2" Bolt or Nut Wrench—3/4"
M6 Bolt or Nut Wrench—10mm	M8 Bolt or Nut Wrench—13mm	M10 Bolt or Nut Wrench—17mm	M12 Bolt or Nut Wrench—19mm	M14 Bolt or Nut Wrench—22mm

Not for
Reproduction

**IT IS THE POLICY OF BRIGGS & STRATTON CORP. TO IMPROVE ITS PRODUCTS
WHENEVER IT IS POSSIBLE AND PRACTICAL TO DO SO. WE RESERVE THE RIGHT TO
MAKE CHANGES OR ADD IMPROVEMENTS AT ANY TIME WITHOUT INCURRING ANY
OBLIGATION TO MAKE SUCH CHANGES ON PRODUCTS.**

Briggs & Stratton Yard Power Products Group

3515 N. 124 Street / PO Box 702
Wauwatosa, WI 53222 USA

www.simplicitymfg.com

© Copyright 2010 by Briggs & Stratton Corporation
Milwaukee, WI, USA. All rights reserved