

Light Duty

24" Dual Stage Snowthrowers

Attachment

| Mfg. No. | Description |
|----------|-------------|
|----------|-------------|

| | |
|------------|---|
| 1696206-00 | (SIL824R), 7.5TP 24" Dual Stage Snowthrower (CE/Export) |
|------------|---|

| | |
|------------|--|
| 1696207-00 | (SIL924R) 9TP 24" Dual Stage Snowthrower (CE/Export) |
|------------|--|

Not for
Reproduction

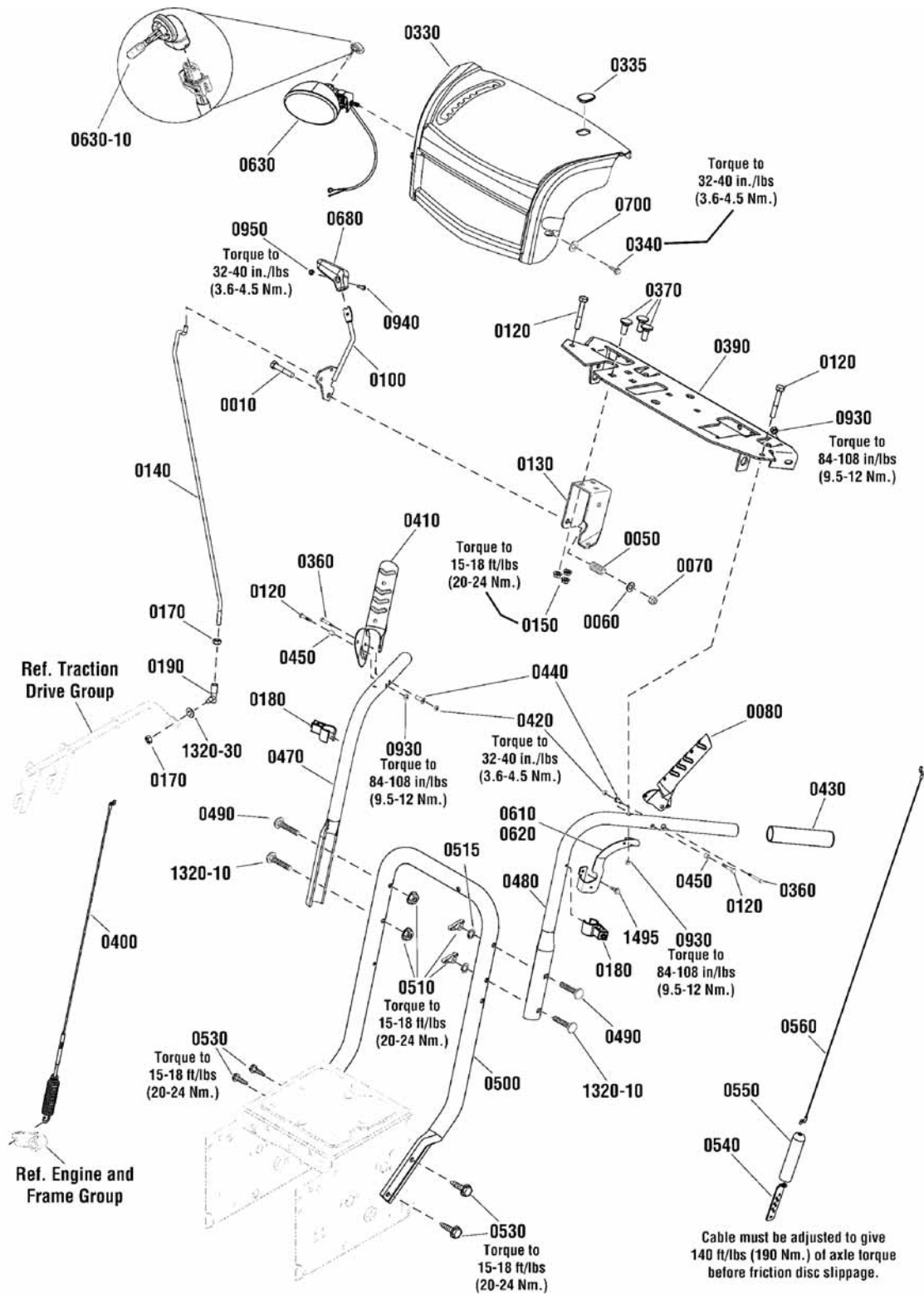
| PRODUCT COMPONENTS | PAGES |
|--|--------------------------|
| Handles & Controls Group | 4 |
| Engine & Frame Group | 8 |
| Auger Drive Group | 12 |
| Auger Housing Group | 14 |
| Traction Drive Group | 16 |
| Wheels & Tires Group | 18 |
| Decals Group | 20 |
| Chute & Rotation Group - Left Side Crank | 22 |
| Chute & Rotation Group - Manual | 24 |
| Gear Case Assembly | 26 |
| Torque Specification Chart | Inside Back Cover |

Not for
Reproduction

Handles & Controls Group

2990410

NOTE: Unless noted otherwise,
use the standard hardware torque
specification chart.



The above parts group applies to the following Mfg. Nos.:

1696206-00 - (SIL824R)

1696207-00 - (SIL924R)

Handles & Controls Group

| REF NO | PART NO. | QTY. | DESCRIPTION |
|---------|-----------|------|---|
| 0010 | 1923701 | 1 | CAPSCREW, Hex Head, 3/8-16 x 2, G5 |
| 0050 | 724361 | 1 | SPRING, 3/4 |
| 0060 | 1918266 | 1 | WASHER, 3/8 |
| 0070 | 1919439 | 1 | NUT, Hex Lock, ESNA Light, 3/8-16 |
| 0080 | 1739782A | 1 | LEVER, Clutch, LH |
| 0100 | 1736836 | 1 | SPEED LEVER |
| 0120 | 1921962 | 4 | CAPSCREW, Hex Head, 1/4-20 x 1-3/4, G5 |
| 0130 | 1737684 | 1 | BRACKET, Controls |
| 0140 | 1751543 | 1 | ROD, Speed Control |
| 0150 | 1931277 | 3 | NUT, Hex Flange, Whiz Lock, 5/16-18 |
| 0170 | 2820263 | 2 | NUT, Hex, 5/16-24 |
| 0180 | 1739510 | 2 | BRACKET, Handle, Lower Mounting (Use on Model 1696206) |
| 0190 | 1739290 | 1 | BALL JOINT |
| 0330 | 1754325 | 1 | DASH ASSEMBLY, No Light (Use on Model 1696206) |
| 0330 | 1750682C | 1 | DASH ASSEMBLY, Light (Use on Model 1696207) |
| 0335 | 1755216 | 1 | PLUG, Orange (Use on Model 1696206) |
| 0340 | 1960001 | 2 | SCREW, Hex Washer Head, Plastiite, 10-14 x 5/8 (Use on Model 1696206) |
| 0360 | 1750554 | 2 | BOLT, Shoulder |
| 0370 | 1931333 | 3 | BOLT, Carriage, Short Neck, 5/16-18 x 3/4, G5 |
| 0390 | 1739500A | 1 | SUPPORT, Dash |
| 0400 | 1737544 | 1 | CABLE, Auger Drive |
| 0410 | 1739783A | 1 | LEVER, Clutch, RH |
| 0420 | 1933896 | 2 | NUT, Hex Lock, Nylon Insert, 10-24 |
| 0430 | 1726317 | 2 | GRIP |
| 0440 | 1736542 | 2 | SPACER, Stepped |
| 0450 | 1678392 | 2 | SPACER, 1/4 ID x 3/8 OD x 5/16" |
| 0470 | 1734587A | 1 | HANDLE, Upper, RH |
| 0480 | 1734586A | 1 | HANDLE, Upper, LH |
| 0490 | 1960273 | 2 | BOLT, Carriage, Short Neck, 5/16-18 x 2-1/4, G5 |
| 0500 | 1737274A | 1 | HANDLE, Lower |
| 0510 | 80003917 | 4 | KNOB, Wing, 5/16-18 (Use on Model 1696207) |
| 0510 | 1739305 | 2 | NUT, Hex Flange, ESNA, 5/16-18 |
| 0515 | 80003683 | 4 | WASHER, Internal Lock, 5/16-18 (Use on Model 1696207) |
| 0530 | 1930601 | 4 | SCREW, Hex Washer Head, Taptite, 5/16-18 x 5/8 |
| 0540 | 80003544 | 1 | BRACKET, Cable Adjusting |
| 0550 | 723154 | 1 | BOOT, Spring End Cover |
| 0560 | 722097 | 1 | CABLE, Forward Drive |
| 0610 | 1750522BM | 1 | BRACKET, Mounting, RH (Use on Model 1696207) |
| 0340 | 1960556 | 3 | SCREW, Pan Head Torx, 1/4-20 x 3/4 (Use on Model 1696207) |
| 0620 | 1750521BM | 1 | BRACKET, Mounting, LH (Use on Model 1696207) |
| 0630 | 1737965 | 1 | HEADLIGHT, Oval (Use on Model 1696207) |
| 0630-10 | ---- | 1 | * BULB, Headlight, Halogen, 881-12V 27W (Included with Ref. No. 0630) |
| 0680 | 1733192 | 1 | KNOB, Slot Speed |

Footnotes

The above parts group applies to the following Mfg. Nos.:

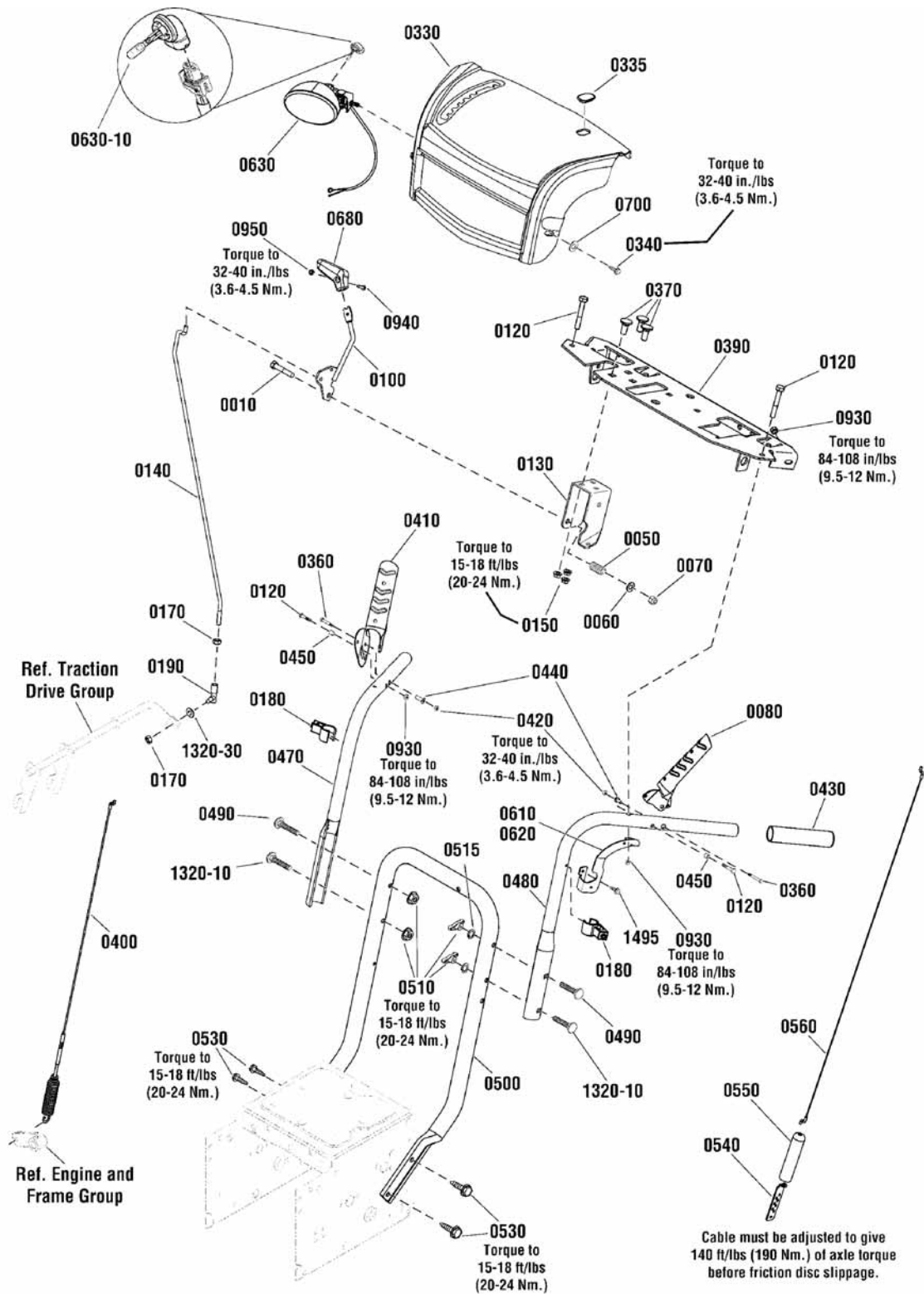
1696206-00 - (SIL824R)

1696207-00 - (SIL924R)

Handles & Controls Group

2990410

NOTE: Unless noted otherwise,
use the standard hardware torque
specification chart.



The above parts group applies to the following Mfg. Nos.:

1696206-00 - (SIL824R)

1696207-00 - (SIL924R)

Handles & Controls Group

| REF NO | PART NO. | QTY. | DESCRIPTION |
|---------------|-----------------|-------------|---|
| 0700 | 1921319 | 2 | WASHER, 1/4 |
| 0930 | 1920397 | 4 | NUT, Hex Lock, ESNA Light, 1/4-20 |
| 0940 | 1960589 | 1 | SCREW, Phillips Head, #10-24 x 3/4 |
| 0950 | 1933896 | 1 | NUT, Hex Lock, Nylon Insert, 10-24 |
| 1320-10 | 1931338 | 2 | BOLT, Carriage, Short Neck, 5/16-18 x 1-3/4 |
| 1320-30 | 1917356 | 1 | LOCKWASHER, Spring, 5/16 |
| 1490 | 80004190 | 2 | SCREW, Hex Washer Head, Taptite, 1/4-20 x 5/8 |

Not for
Reproduction

Footnotes

The above parts group applies to the following Mfg. Nos.:

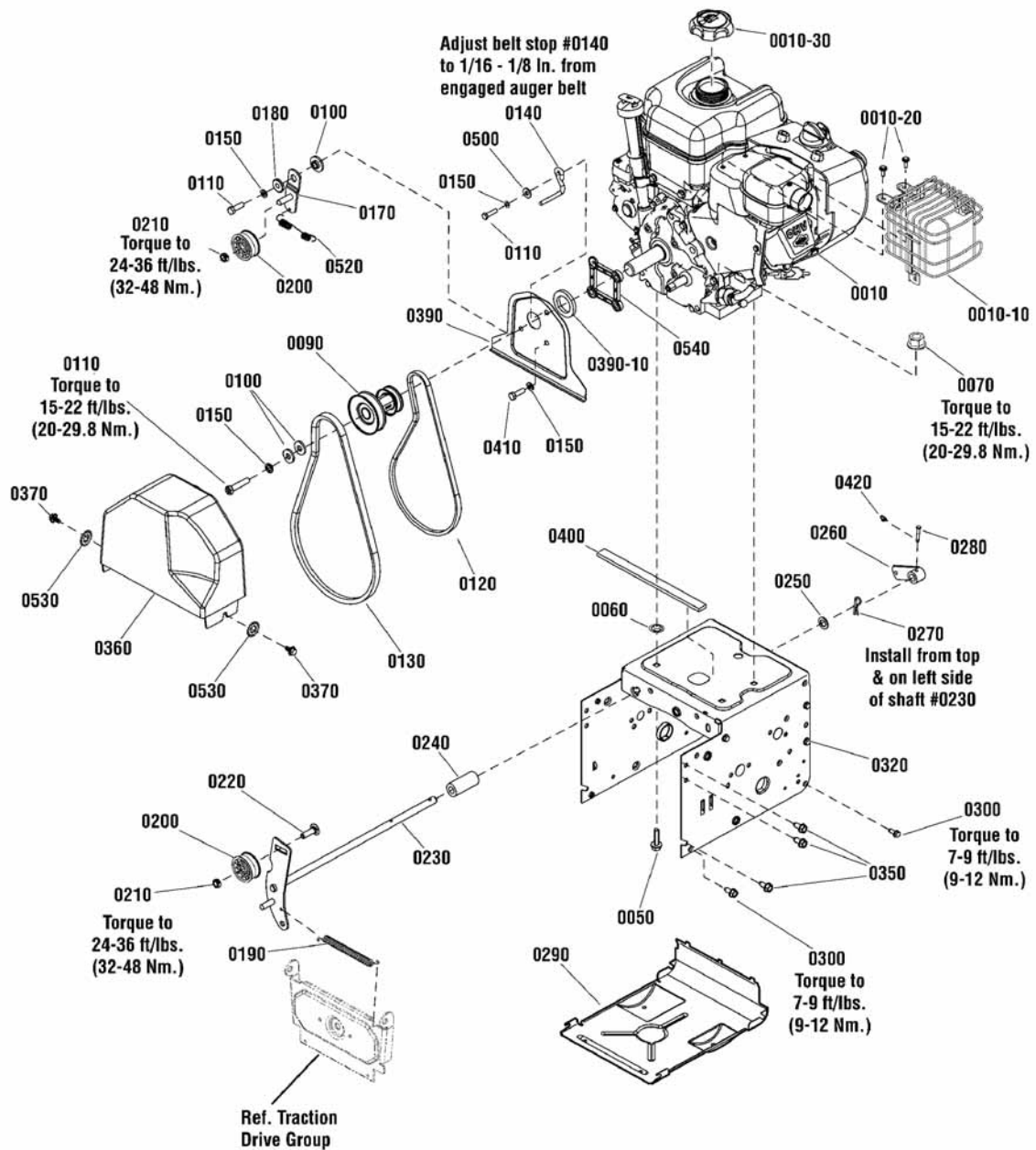
1696206-00 - (SIL824R)

1696207-00 - (SIL924R)

Engine & Frame Group

NOTE: Unless noted otherwise,
use the standard hardware torque
specification chart.

2990409



The above parts group applies to the following Mfg. Nos.:

1696206-00 - (SIL824R)

1696207-00 - (SIL924R)

Engine & Frame Group

| REF NO | PART NO. | QTY. | DESCRIPTION |
|---------|-----------------|------|--|
| 0010 | 10D132-0110-F81 | | * ENGINE, Briggs & Stratton 163CC Snow Series, 10D132-0110-F8 (Engine Model: 10D132-0110-F8) |
| 0010 | 12D106-0168-F81 | | * ENGINE, 900 Series Briggs & Stratton, 12D106-0168-F8 (Engine Model: 12D106-0168-F8) |
| 0010-10 | 591619 | 1 | GUARD, Muffler (Use on 163CC Engine) |
| 0010-10 | 793193 | 1 | GUARD, Muffler (Use on 900 Series Engine) |
| 0010-20 | 798796 | 4 | SCREW, Muffler Guard (Use on 163CC Engine) |
| 0010-20 | 699854 | 4 | SCREW, Muffler Guard (Use on 900 Series Engine) |
| 0010-30 | 794641 | 1 | FUEL CAP (Use on 163CC Engine) |
| 0010-30 | 795027 | 1 | FUEL CAP (Use on 900 Series Engine) |
| 0050 | 80003669 | 4 | BOLT, Carriage, 5/16-18 x 1-1/2 |
| 0060 | 80002734 | 4 | RETAINER, 5/16, GR5 |
| 0070 | 80002732 | 4 | NUT, Flange Nylock, 5/16-18 |
| 0090 | 722085 | 1 | PULLEY, Engine |
| 0100 | 1919381 | 2 | WASHER, Flat, 5/16, G5 |
| 0110 | 1921982 | 3 | CAPSCREW, Hex Head, 5/16-24 x 1-1/4, GR5 |
| 0120 | 1733324 | 1 | V-BELT, 3L 33.03 |
| 0130 | 1751417 | 1 | BELT, Auger |
| 0140 | 1739070 | 1 | BELT GUIDE |
| 0150 | 720174 | 4 | LOCKWASHER, Split, 5/16 |
| 0170 | 722090 | 1 | IDLER BRKT |
| 0180 | 722072 | 1 | BUSHING, Idler Bracket |
| 0190 | 722455 | 1 | SPRING, Extension, Auger |
| 0200 | 722378 | 2 | IDLER |
| 0210 | 1960251 | 2 | NUT, Center Lock, 3/8-16 |
| 0220 | 724823 | 1 | BOLT, Carriage, 3/8-16 x 1-1/4 |
| 0230 | 1752397 | 1 | IDLER, Auger |
| 0240 | 722118 | 1 | SPACER, Plastic, 1/2 ID x 1 OD x 1-3/4 |
| 0250 | 1960027 | 1 | WASHER, 1/2 |
| 0260 | 1733451 | 1 | CONTROL ARM (Use on 900 Series Engine) |
| 0270 | 725367 | 1 | PIN, Hair |
| 0280 | 1736381 | 1 | CLEVIS PIN (Use on 900 Series Engine) |
| 0290 | 1753969BM | 1 | COVER, Bottom |
| 0300 | 1927429 | 4 | SCREW, Hex Washer Head, Taptite, 1/4-20 x 5/8 |
| 0320 | 1754891C | 1 | FRAME |
| 0350 | 722839 | 6 | SCREW, Thread Roll, 5/16-18 x 3/4 |
| 0360 | 1753893 | 1 | COVER, Belt |
| 0370 | 1751355 | 2 | SCREW, Hex Washer Head, Tap, SEMS 1/4-20 x 3/4 |
| 0390 | 1733868BM | 1 | PLATE, Seal |
| 0390-10 | 1754847 | 1 | SEAL, Foam, 3/8" Thick (Use on 163cc Engine) |
| 0390-10 | 1733898 | 1 | SEAL, Foam, 1/8" Thick (Use on 900 Series Engine) |
| 0400 | 1750172 | 1 | STRIP, Seal |
| 0410 | 725996 | 2 | BOLT, Hex, 5/16-24 x 1 |
| 0420 | 7023590 | 1 | COTTER PIN, 1/4 (Use on 900 Series Engine) |
| 0500 | 7091528 | 1 | WASHER, Flat, 3/8 |

Footnotes

Note* To verify your specific engine model, please reference the ID Tag located on your engine. See your local Briggs & Stratton distributor for parts and service.

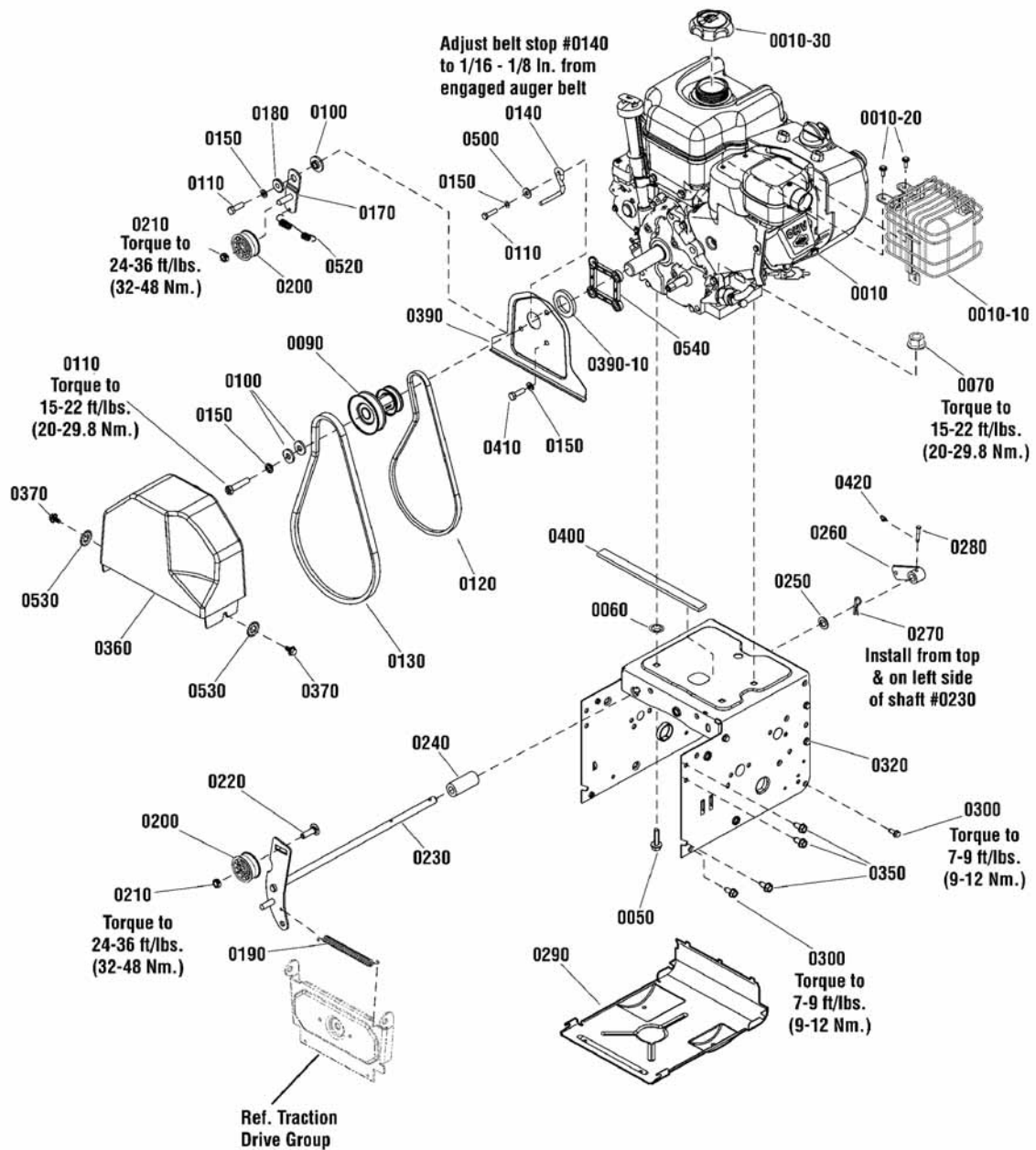
The above parts group applies to the following Mfg. Nos.:

1696206-00 - (SIL824R)
1696207-00 - (SIL924R)

Engine & Frame Group

NOTE: Unless noted otherwise, use the standard hardware torque specification chart.

2990409



The above parts group applies to the following Mfg. Nos.:

1696206-00 - (SIL824R)

1696207-00 - (SIL924R)

Engine & Frame Group

| REF NO | PART NO. | QTY. | DESCRIPTION |
|--------|----------|------|------------------------------------|
| 0530 | 7091890 | 2 | WASHER, Internal Lock, 1/4 |
| 0540 | 1754362 | 1 | SPACER BLOCK (Use on 163CC Engine) |

Not for
Reproduction

Footnotes

Note* To verify your specific engine model, please reference the ID Tag located on your engine. See your local Briggs & Stratton distributor for parts and service.

The above parts group applies to the following Mfg. Nos.:

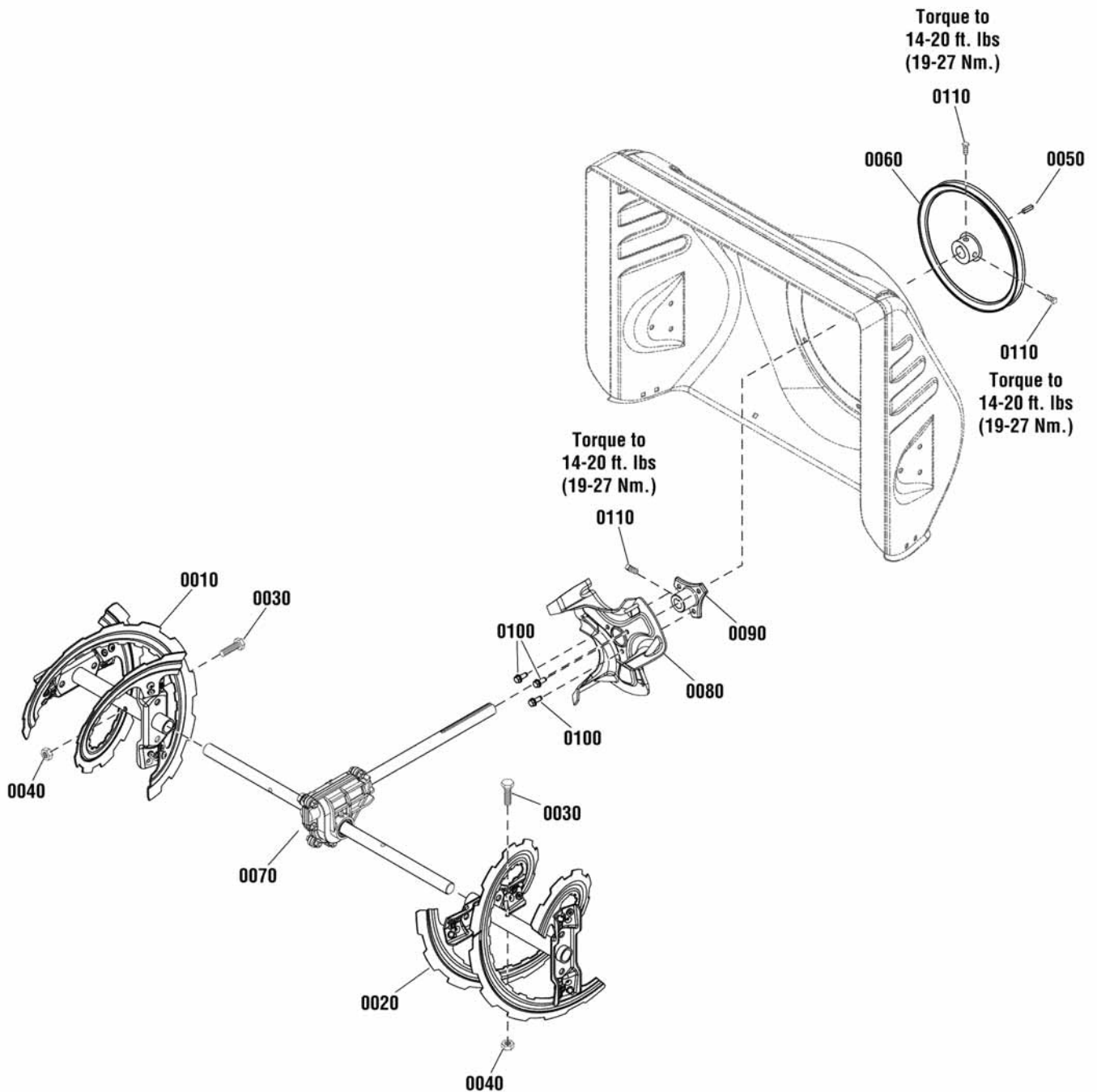
1696206-00 - (SIL824R)

1696207-00 - (SIL924R)

Auger Drive Group

2990036

NOTE: Unless noted otherwise,
use the standard hardware torque
specification chart.



The above parts group applies to the following Mfg. Nos.:

1696206-00 - (SIL824R)

1696207-00 - (SIL924R)

Auger Drive Group

| REF NO | PART NO. | QTY. | DESCRIPTION |
|--------|-----------|------|---|
| 0010 | 1752081BM | 1 | AUGER ASSEMBLY, RH |
| 0020 | 1752067BM | 1 | AUGER ASSEMBLY, LH |
| 0030 | 80003915 | 2 | CAPSCREW, Hex Head, 1/4-20 x 1-3/4 |
| 0040 | 80003534 | 2 | NUT, Hex Centerlock, 1/4-20 |
| 0050 | 722726 | 1 | KEY, Square, 3/16 x 3/4 |
| 0060 | 1752220 | 1 | AUGER PULLEY |
| 0070 | 1753221 | 1 | GEAR CASE ASSEMBLY |
| 0080 | 1751348BM | 1 | IMPELLER, 10" |
| 0090 | 1739073 | 1 | HUB, Impeller |
| 0100 | 1924856 | 3 | SCREW, Hex Washer Head Taptite, 5/16-18 x 1/2 |
| 0110 | 1930540 | 3 | SET SCREW, Square Head, 5/16-18 x 5/8, G8 |

Not for
Reproduction

Footnotes

The above parts group applies to the following Mfg. Nos.:

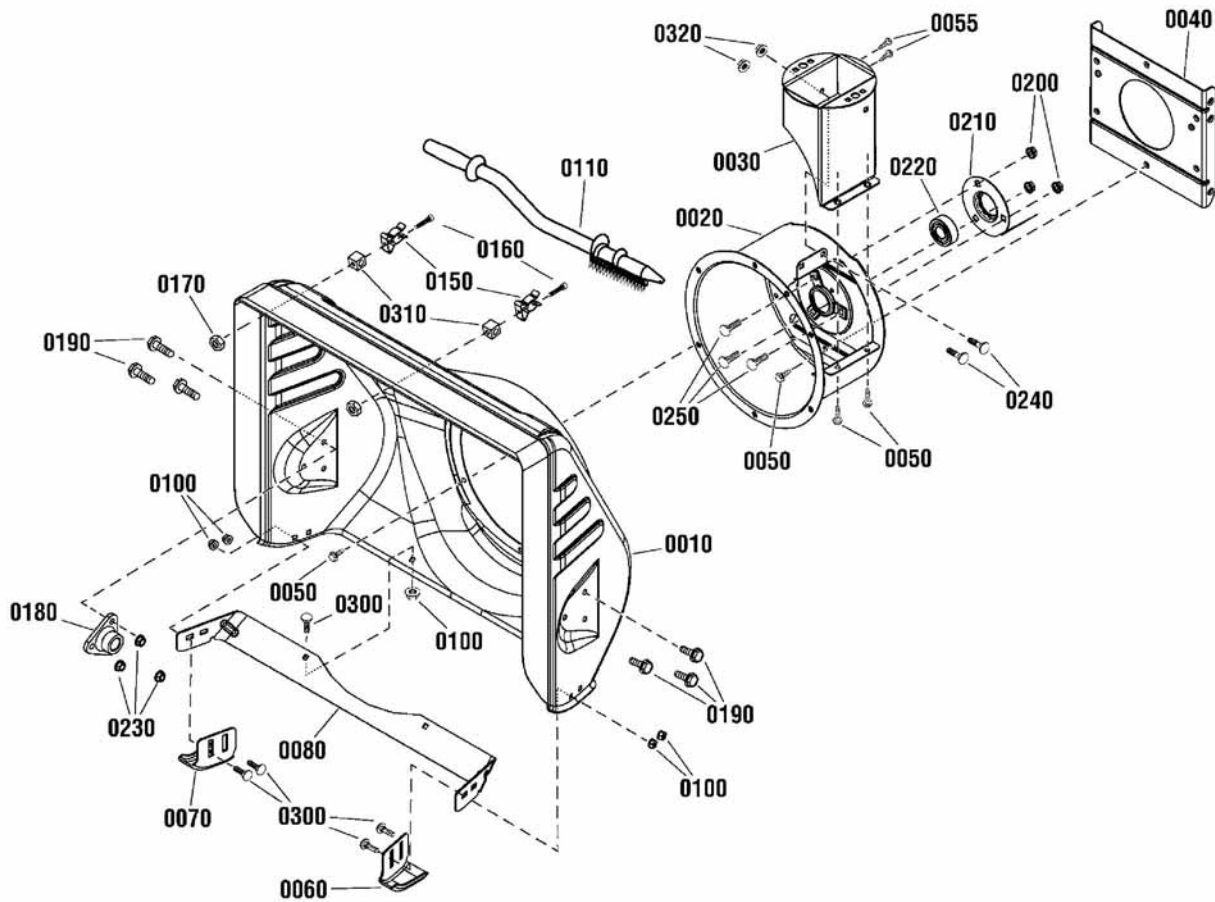
1696206-00 - (SIL824R)

1696207-00 - (SIL924R)

Auger Housing Group

2990401

NOTE: Unless noted otherwise,
use the standard hardware torque
specification chart.



The above parts group applies to the following Mfg. Nos.:

1696206-00 - (SIL824R)

1696207-00 - (SIL924R)

Auger Housing Group

| REF NO | PART NO. | QTY. | DESCRIPTION |
|--------|-----------|------|---|
| 0010 | 1687702 | 1 | AUGER HOUSING KIT, Orange |
| 0020 | 1751278C | 1 | HOUSING, IMPELLER, 10" |
| 0030 | 1751938C | 1 | CHIMNEY, Steel |
| 0040 | 1751303C | 1 | BRACKET, Rear Mounting |
| 0050 | 1927428 | 14 | SCREW, Hex Washer Head, Taptite, 1/4-20 x 3/8 |
| 0055 | 1750447 | 2 | SCREW, Hex Washer Head, Taptite, 1/4-20 x 1/2 |
| 0060 | 1751407BM | 1 | SKID SHOE, LH |
| 0070 | 1751406BM | 1 | SKID SHOE, RH |
| 0080 | 1751418BM | 1 | SCRAPER BAR |
| 0100 | 80003520 | 6 | NUT, Hex Nylock Flange, 1/4-20 |
| 0110 | 1736094 | 1 | STICK, Cleanout Brush, 22-1/2 |
| 0150 | 1736620 | 2 | CLAMP, Spring, Snow Brush |
| 0160 | 80003559 | 2 | BOLT, Truss Head, 10-24 x 1-1/4 |
| 0170 | 80002733 | 2 | NUT, Nylock, 10 x 24 |
| 0180 | 726059 | 2 | BEARING, Auger |
| 0190 | 80003531 | 6 | CAPSCREW, Tapping, 5/16-18 x 3/4 |
| 0200 | 80003538 | 3 | NUT, Hex Flange, Serrated Lock, 5/16-18 |
| 0210 | 1665982 | 1 | RETAINER, Bearing |
| 0220 | 2108202 | 1 | BEARING, Ball, 3/4 ID x 1-3/4 OD x 5/8" |
| 0230 | 80003535 | 6 | NUT, Hex Flange, Top Lock, 5/16-18 |
| 0240 | 1931315 | 2 | BOLT, Carriage, 1/4-20 x 1/2, G5 |
| 0250 | 7090001 | 3 | BOLT, Carriage, Short Neck, 5/16-18 x 3/4 |
| 0300 | 1931317 | 6 | BOLT, Carriage, 1/4-20 x 3/4 G5 |
| 0310 | 724565 | 2 | BLOCK, Universal Pivot |
| 0320 | 80003534 | 2 | NUT, Hex Center Lock, 1/4-20 |

Footnotes

The above parts group applies to the following Mfg. Nos.:

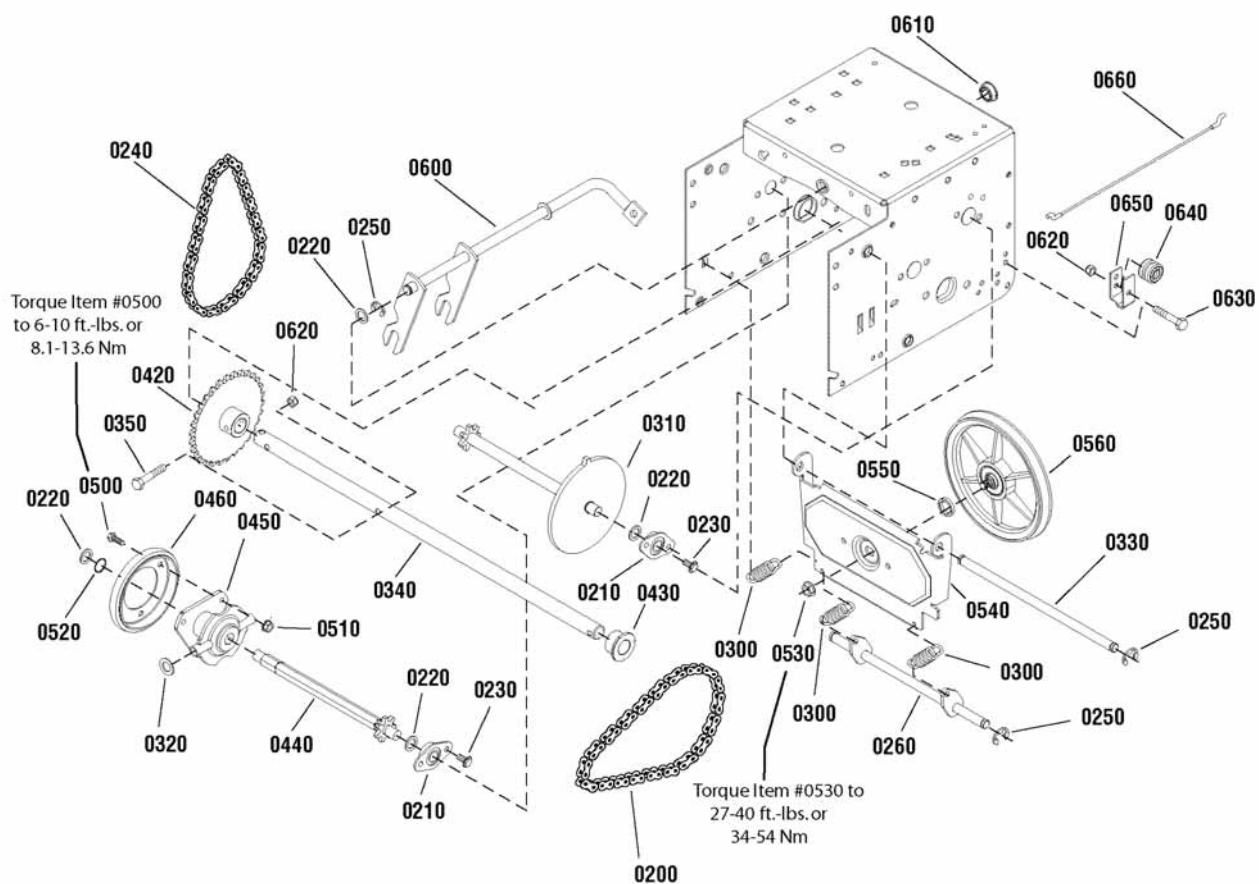
1696206-00 - (SIL824R)

1696207-00 - (SIL924R)

Traction Drive Group

2990003

NOTE: Unless noted otherwise,
use the standard hardware torque
specification chart.



The above parts group applies to the following Mfg. Nos.:

1696206-00 - (SIL824R)

1696207-00 - (SIL924R)

Traction Drive Group

| REF NO | PART NO. | QTY. | DESCRIPTION |
|--------|----------|------|--|
| 0200 | 724613 | 1 | CHAIN, Roller, 420 x 19" |
| 0210 | 723655 | 4 | RETAINER & BUSHING ASSEMBLY |
| 0220 | 724619 | 5 | WASHER, Flat, 1/2 |
| 0230 | 1924856 | 8 | SCREW, Hex Washer Head, Taptite, 5/16-18 x 1/2 |
| 0240 | 724627 | 1 | CHAIN, Roller, 420 x 18" |
| 0250 | 721910 | 5 | RETAINER, Ring, 7/16 |
| 0260 | 722377 | 1 | SPRING LINK |
| 0300 | 1736469 | 3 | SPRING, Extension |
| 0310 | 722081 | 1 | SPROCKET, Set |
| 0320 | 1960027 | 2 | WASHER, 1/2 |
| 0330 | 722082 | 1 | AXLE, Swing Plate, 10-1/2" |
| 0340 | 722209 | 1 | AXLE, 21-3/8" |
| 0350 | 720220 | 1 | BOLT, Hex Head, 1/4-20 x 1-3/4, G8 |
| 0420 | 722080 | 1 | AXLE SPROCKET, 30T |
| 0430 | 722091 | 2 | BEARING, Axle, D-Hole |
| 0440 | 722134 | 1 | SHAFT, Hex |
| 0450 | 1739282 | 1 | BEARING TRUNNION ASSEMBLY |
| 0460 | 722185 | 1 | WHEEL, Friction |
| 0500 | 1921959 | 3 | CAPSCREW, Hex Head, 1/4-20 x 5/8, G5 |
| 0510 | 1928372 | 3 | NUT, Hex KEPS, 1/4-20 |
| 0520 | 1733326 | 1 | RING, Retaining, External Tooth, # 63 |
| 0530 | 722391 | 1 | NUT, Flange Lock, 3/8-24 |
| 0540 | 722069 | 1 | PLATE, Swinging |
| 0550 | 722110 | 1 | SPACER, Friction Pulley |
| 0560 | 722092 | 1 | FRICTION PULLEY ASSEMBLY |
| 0600 | 722087 | 1 | SPEED SELECTOR |
| 0610 | 724636 | 1 | BEARING, Flange, 1/2 ID x 7/8OD |
| 0620 | 1920397 | 2 | NUT, Hex Lock, ESNA Light, 1/4-20 |
| 0630 | 1922837 | 1 | CAPSCREW, Hex Head, 1/4-20 x 1-1/2, G5 |
| 0640 | 724621 | 1 | SPOOL CABLE, Auger Control |
| 0650 | 722070 | 1 | BRACKET, Cable Spool |
| 0660 | 722095 | 1 | CABLE, Forward Drive, Lower |

Footnotes

The above parts group applies to the following Mfg. Nos.:

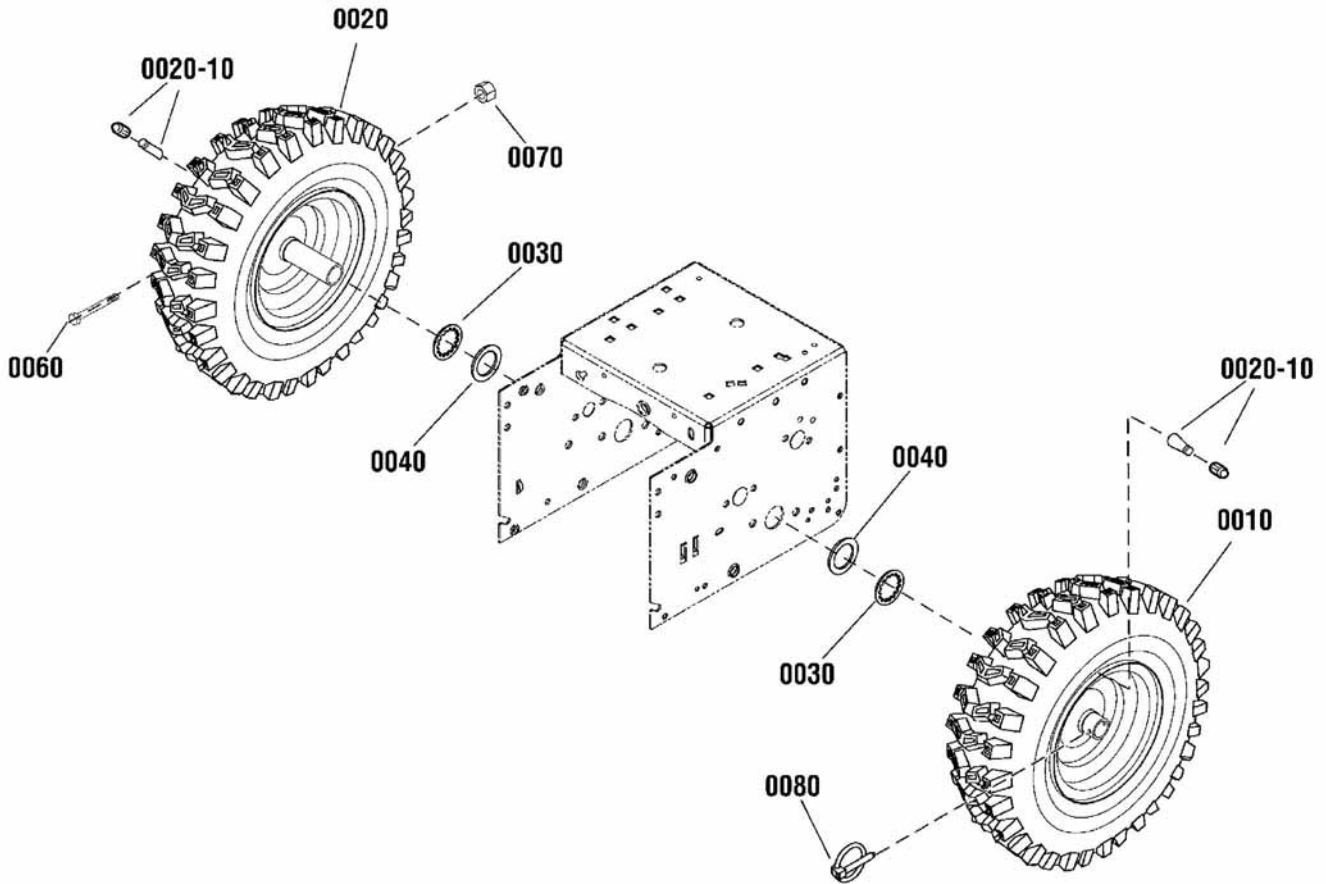
1696206-00 - (SIL824R)

1696207-00 - (SIL924R)

Wheels & Tires Group

NOTE: Unless noted otherwise,
use the standard hardware torque
specification chart.

2990466



The above parts group applies to the following Mfg. Nos.:

1696206-00 - (SIL824R)

1696207-00 - (SIL924R)

Wheels & Tires Group

| REF NO | PART NO. | QTY. | DESCRIPTION |
|---------------|-----------------|-------------|---|
| 0010 | 1754328 | 1 | WHEEL & TIRE ASSEMBLY, 13 x 5.0, LH (Includes Ref. 0020-10) |
| 0020 | 1754329 | 1 | WHEEL & TIRE ASSEMBLY, 13 x 5.0, RH (Includes Ref. 0020-10) |
| 0020-10 | 2172353 | 2 | VALVE STEM & CAP |
| 0030 | 1657528 | 2 | RING, Retaining, Self Lock |
| 0040 | 7031965 | 2 | WASHER, Thrust, 3/4 (Use on 163cc Models) |
| 0060 | 724545 | 2 | BOLT, Hex, 1/4-20 x 1-3/4, G5 (Qty 1 Used on 9TP Models) |
| 0070 | 722400 | 2 | NUT, Hex Nylock, 1/4-20 (Qty 1 Used on 9TP Models) |
| 0080 | 80003533 | 1 | PIN, Klik, 1/4 (Used on 9TP Model Models) |

Not for
Reproduction

Footnotes

The above parts group applies to the following Mfg. Nos.:

1696206-00 - (SIL824R)

1696207-00 - (SIL924R)

Decals Group

| REF NO | PART NO. | QTY. | DESCRIPTION |
|---------------|-----------------|-------------|-----------------------------------|
| 0010 | 1727207 | 1 | DECAL, Chute Warning |
| 0020 | 1752919 | 1 | DECAL, Warning, Safety |
| 0025 | 1752422 | 1 | DECAL, Danger, Safety |
| 0030 | 1753133 | 1 | DECAL, Auger Control |
| 0040 | 1753134 | 1 | DECAL, Traction Control |
| 0060 | 1736616 | 1 | DECAL, Shift (Use on 7.5TP Model) |
| 0060 | 1751582 | 1 | DECAL, Shift (Use on 9TP Model) |
| 0070 | 1754671 | 1 | DECAL, Logo, 8.5" |
| 0080 | 1722551 | 1 | DECAL, Logo, 11" |
| 0120 | 1754335 | 1 | DECAL, SIL824R |
| 0120 | 1754339 | 1 | DECAL, SIL924R |

Not for
Reproduction

Footnotes

The above parts group applies to the following Mfg. Nos.:

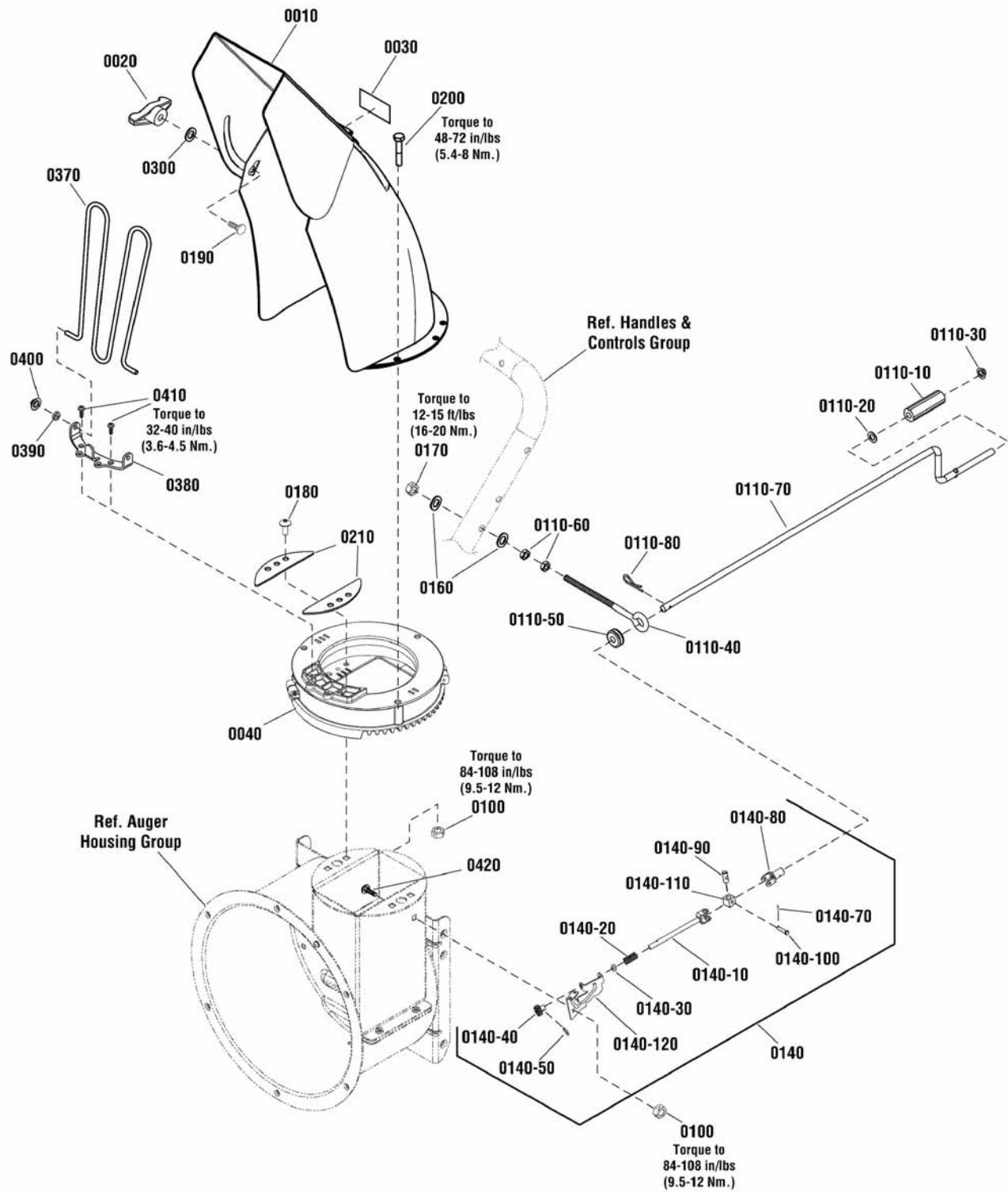
1696206-00 - (SIL824R)

1696207-00 - (SIL924R)

Chute & Rotation Group - Left Side Crank

2990408

NOTE: Unless noted otherwise,
use the standard hardware torque
specification chart.



The above parts group applies to the following Mfg. Nos.:

1696207-00 - (SIL924R)

Chute & Rotation Group - Left Side Crank

| REF NO | PART NO. | QTY. | DESCRIPTION |
|----------|-----------|------|--|
| 0010 | 1752977C | 1 | CHUTE |
| 0020 | 7035744 | 1 | KNOB, Wing, 5/16-18 |
| 0030 | 1706085 | 2 | DECAL, Hinge |
| 0040 | 1752395 | 1 | CHUTE ROTATION ASSEMBLY, LH Crank |
| 0100 | 1923358 | 5 | NUT, Hex Centerlock, 1/4-20 |
| 0110-10 | 724382 | 1 | KNOB, Sleeve |
| 0110-20 | 80003545 | 1 | WASHER. Flat, 3/8 |
| 0110-30 | 725415 | 1 | NUT, Push, 3/8 |
| 0110-40 | 80003551 | 1 | EYEBOLT, 3/8-16 x 6-1/2" |
| 0110-50 | 722044 | 1 | GROMMET, Eye Bolt |
| 0110-60 | 80003537 | 2 | NUT, Hex Jam, 3/8-16 |
| 0110-70 | 80003556 | 1 | CRANK, Chute Turn |
| 0110-80 | 80002737 | 1 | PIN, Hair |
| 0140 | 1752560 | 1 | BRACKET ASSEMBLY, Chute Rotation (Includes Ref. Nos. 0140-10, 0140-20, 0140-30, 0140-40, 0140-50, 0140-60, 0140-70, 0140-80, 0140-90, 0140-100, 0140-110 & 0140-120) |
| 0140-10 | 80003550 | 1 | ROD, Yoke Crank |
| 0140-20 | 722414 | 1 | SPRING, Compression |
| 0140-30 | 80004041 | 1 | WASHER, Flat, 3/8 |
| 0140-40 | 80004042 | 1 | GEAR, 9 Tooth |
| 0140-50 | 80003552 | 1 | PIN, Hair |
| 0140-70 | 80003540 | 1 | PIN, Cotter |
| 0140-80 | 722076 | 1 | YOKE TUBE ASSEMBLY, Adapter |
| 0140-90 | 80003542 | 1 | PIN, Universal Joint |
| 0140-100 | 80003541 | 1 | PIN, Clevis, 1/4 |
| 0140-110 | 724565 | 1 | BLOCK, Universal Pivot |
| 0140-120 | ---- | 1 | BRACKET, Mounting, Chute Rotation Gear (Not a serviceable part. Order Ref. No. 0140) |
| 0160 | 725332 | 2 | WASHER. Flat, 3/8 |
| 0170 | 727481 | 1 | NUT, Hex, Nylock, 3/8-16 |
| 0180 | 880456 | 4 | SCREW, Torx Truss Head, 1/4-20 x 7/8 |
| 0190 | 1931337 | 1 | BOLT, Carriage, Short Neck, 5/16-18 x 1-1/2 |
| 0200 | 880804 | 3 | SCREW, Hi-Lo, 1/4 x 3/4 |
| 0210 | 1753477 | 2 | STIFFENER, Chute Rotation |
| 0300 | 2860210 | 1 | WASHER, Nylon, 3/8 |
| 0370 | 1733475 | 1 | GUARD, Chute |
| 0380 | 1752883BM | 1 | BRACKET, Chute Guard |
| 0390 | 1738174 | 2 | GROMMET, Chute Guard Bracket |
| 0400 | 1960140 | 2 | NUT, Push, 3/16 |
| 0410 | 880070 | 4 | SCREW, 310, Hi-Lo x 1/2 |
| 0420 | 1931315 | 1 | BOLT, Carriage, Short Neck, 1/4-20 x 1/2, G5 |

Footnotes

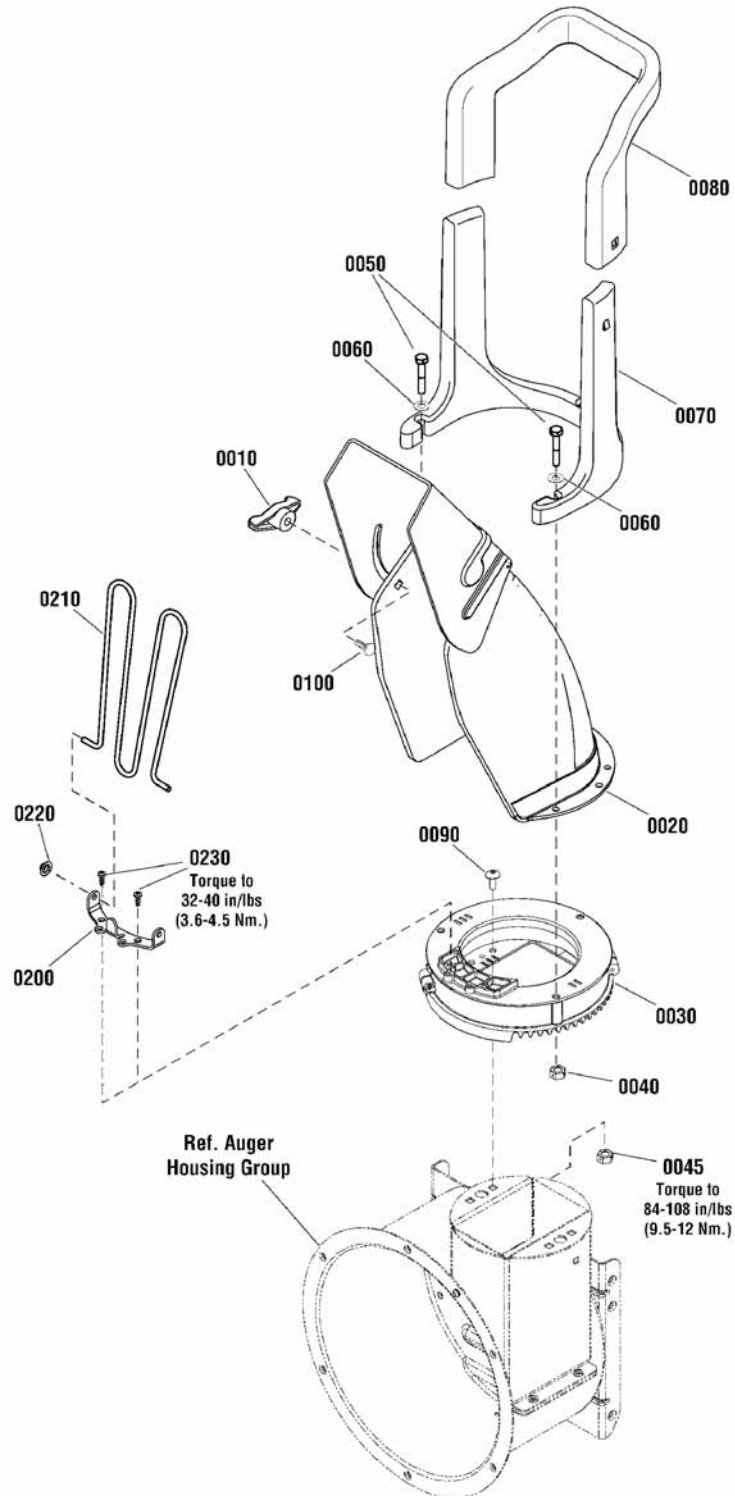
The above parts group applies to the following Mfg. Nos.:

1696207-00 - (SIL924R)

Chute & Rotation Group - Manual

2990644

NOTE: Unless noted otherwise,
use the standard hardware torque
specification chart.



The above parts group applies to the following Mfg. Nos.:

1696206-00 - (SIL824R)

Chute & Rotation Group - Manual

| REF NO | PART NO. | QTY. | DESCRIPTION |
|---------------|-----------------|-------------|--|
| 0010 | 7035744 | 1 | KNOB, Wing, 5/16-18 |
| 0020 | 1736313 | 1 | CHUTE ASSEMBLY |
| 0030 | 1751886 | 1 | CHUTE ROTATION ASSEMBLY |
| 0040 | 722400 | 3 | NUT, Hex Nylock, 1/4-20 |
| 0045 | 1923358 | 4 | NUT, Hex Centerlock, 1/4-20 |
| 0050 | 51374 | 3 | CAPSCREW, Hex Head, 1/4-20 x 1-1/2, G5 |
| 0060 | 720158 | 3 | WASHER, 1/4 |
| 0070 | 1752117 | 1 | HANDLE, Lower |
| 0080 | 1752243 | 1 | HANDLE, Upper |
| 0090 | 880845 | 4 | SCREW, Torx, 1/4-20 x 5/8 |
| 0100 | 720064 | 1 | BOLT, Carriage, 5/16-18 x 1-1/2 |
| 0200 | 1752883 | 1 | BRACKET, Chute Guard |
| 0210 | 1733475 | 1 | CHUTE GUARD |
| 0220 | 1960140 | 2 | NUT, Push, 3/16 |
| 0230 | 880070 | 2 | SCREW, Hi-Lo, 1/2 |

Not for
Reproduction

Footnotes

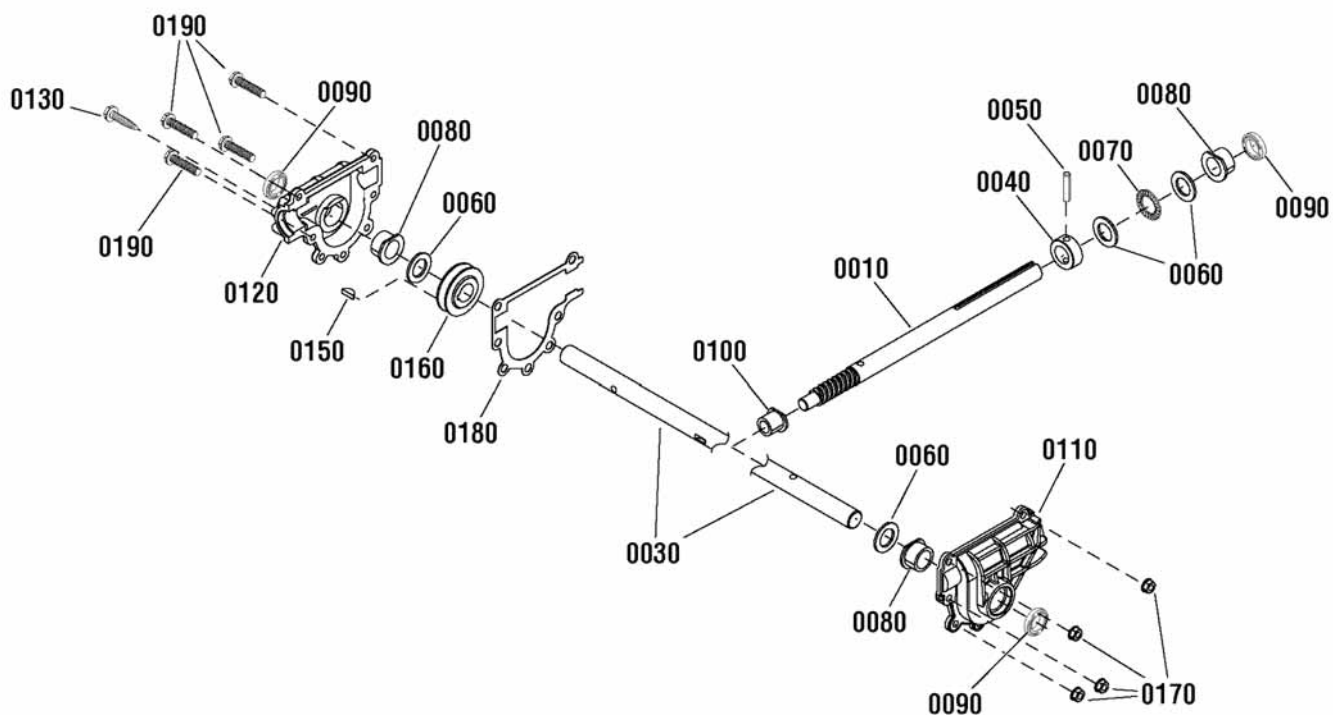
The above parts group applies to the following Mfg. Nos.:

1696206-00 - (SIL824R)

Gear Case Assembly

NOTE: Unless noted otherwise,
use the standard hardware torque
specification chart.

1753221



The above parts group applies to the following Mfg. Nos.:

1696206-00 - (SIL824R)

1696207-00 - (SIL924R)

Gear Case Assembly

| REF NO | PART NO. | QTY. | DESCRIPTION |
|---------------|-----------------|-------------|---|
| 0010 | 1751402 | 1 | SHAFT, Impeller |
| 0030 | 1751419 | 1 | SHAFT, Auger |
| 0040 | 724639 | 1 | COLLAR, Thrust, 3/4 x 1-1/4 |
| 0050 | 724042 | 1 | PIN, Spring, 1/4 x 1-1/4 |
| 0060 | 724079 | 4 | WASHER, Thrust |
| 0070 | 724352 | 1 | BEARING, Roll Thrust, 3/4 ID x 1-1/4 OD |
| 0080 | 724339 | 3 | BEARING, Flange, 3/4 ID x 1 OD |
| 0090 | 726077 | 3 | SEAL, Oil |
| 0100 | 724337 | 1 | BEARING, Flange, 1/2 ID x 3/4 OD |
| 0110 | 721647 | 1 | CASE, Gear, LH |
| 0120 | 721649 | 1 | CASE, Gear, RH |
| 0130 | 726003 | 1 | SCREW, Hex Washer Head, Tap, 3/8-16 x 1/2 |
| 0150 | 723995 | 1 | KEY, Woodruff |
| 0160 | 1752499 | 1 | GEAR, Worm |
| 0170 | 722398 | 7 | NUT, Flange Lock, 1/4-20 |
| 0180 | 724373 | 1 | GASKET |
| 0190 | 727590 | 7 | CAPSCREW, 1/4-20 x 3/4, GR5 |

Not for
Reproduction

Footnotes

The above parts group applies to the following Mfg. Nos.:

1696206-00 - (SIL824R)

1696207-00 - (SIL924R)

Not for
Reproduction

Not for
Reproduction

Not for
Reproduction

Hardware Identification & Torque Specifications

| Torque Specification Chart | | | | | | | | |
|--|-----------|------|-----------|------|------------|------|------------|------|
| FOR STANDARD METRIC MACHINE HARDWARE (Tolerance ± 20%) | | | | | | | | |
| Property Class | 5.6 | | 8.8 | | 10.9 | | 12.9 | |
| | Class 5.6 | | Class 8.8 | | Class 10.9 | | Class 12.9 | |
| Size Of Hardware | in/lbs | Nm. | in/lbs | Nm. | in/lbs | Nm. | in/lbs | Nm. |
| | ft/lbs | | ft/lbs | | ft/lbs | | ft/lbs | |
| M3 | 5.88 | .56 | 13.44 | 1.28 | 19.2 | 1.80 | 22.92 | 2.15 |
| M4 | 13.44 | 1.28 | 30.72 | 2.90 | 43.44 | 4.10 | 52.56 | 4.95 |
| M5 | 26.4 | 2.50 | 60.96 | 5.75 | 5.97 | 8.10 | 7.15 | 9.7 |
| M6 | 44.64 | 4.3 | 7.3 | 9.9 | 10.3 | 14 | 12.1 | 16.5 |
| M7 | 5.2 | 7.1 | 12.1 | 16.5 | 16.9 | 23 | 19.9 | 27 |
| M8 | 7.7 | 10.5 | 17.7 | 24 | 25 | 34 | 29 | 40 |
| M10 | 15 | 21 | 35 | 48 | 50 | 67 | 59 | 81 |
| M12 | 26 | 36 | 61 | 83 | 86.2 | 117 | 103 | 140 |
| M14 | 42 | 58 | 101 | 132 | 136 | 185 | 162 | 220 |
| M16 | 64 | 88 | 147 | 200 | 210 | 285 | 250 | 340 |
| M18 | 89 | 121 | 202 | 275 | 287 | 390 | 346 | 470 |
| M20 | 126 | 171 | 290 | 390 | 405 | 550 | 486 | 660 |
| M22 | 169 | 230 | 390 | 530 | 559 | 745 | 656 | 890 |
| M24 | 217 | 295 | 497 | 375 | 708 | 960 | 840 | 1140 |
| M27 | 320 | 435 | 733 | 995 | 1032 | 1400 | 1239 | 1680 |
| M30 | 435 | 590 | 995 | 1350 | 1401 | 1900 | 1681 | 2280 |
| M33 | 590 | 800 | 1349 | 1830 | 1902 | 2580 | 2278 | 3090 |
| M36 | 759 | 1030 | 1740 | 2360 | 2441 | 3310 | 2935 | 3980 |
| M39 | 988 | 1340 | 2249 | 3050 | 3163 | 4290 | 3798 | 5150 |

| Torque Specification Chart | | | | | | |
|---|-------------|-------|-------------|-------|-------------|---------|
| FOR STANDARD MACHINE HARDWARE (Tolerance ± 20%) | | | | | | |
| Hardware Grade | No Marks | | SAE Grade 5 | | SAE Grade 8 | |
| | SAE Grade 2 | | SAE Grade 5 | | SAE Grade 8 | |
| Size Of Hardware | in/lbs | Nm. | in/lbs | Nm. | in/lbs | Nm. |
| | ft/lbs | | ft/lbs | | ft/lbs | |
| 8-32 | 19 | 2.1 | 30 | 3.4 | 41 | 4.6 |
| 8-36 | 20 | 2.3 | 31 | 3.5 | 43 | 4.9 |
| 10-24 | 27 | 3.1 | 43 | 4.9 | 60 | 6.8 |
| 10-32 | 31 | 3.5 | 49 | 5.5 | 68 | 7.7 |
| 1/4-20 | 66 | 7.6 | 8 | 10.9 | 12 | 16.3 |
| 1/4-28 | 76 | 8.6 | 10 | 13.6 | 14 | 19.0 |
| 5/16-18 | 11 | 15.0 | 17 | 23.1 | 25 | 34.0 |
| 5/16-24 | 12 | 16.3 | 19 | 25.8 | 29 | 34.0 |
| 3/8-16 | 20 | 27.2 | 30 | 40.8 | 45 | 61.2 |
| 3/8-24 | 23 | 31.3 | 35 | 47.6 | 50 | 68.0 |
| 7/16-14 | 30 | 40.8 | 50 | 68.0 | 70 | 95.2 |
| 7/16-20 | 35 | 47.6 | 55 | 74.8 | 80 | 108.8 |
| 1/2-13 | 50 | 68.0 | 75 | 102.0 | 110 | 149.6 |
| 1/2-20 | 55 | 74.8 | 90 | 122.4 | 120 | 163.2 |
| 9/16-12 | 65 | 88.4 | 110 | 149.6 | 150 | 204.0 |
| 9/16-18 | 75 | 102.0 | 120 | 163.2 | 170 | 231.2 |
| 5/8-11 | 90 | 122.4 | 150 | 204.0 | 220 | 299.2 |
| 5/8-18 | 100 | 136 | 180 | 244.8 | 240 | 326.4 |
| 3/4-10 | 160 | 217.6 | 260 | 353.6 | 386 | 525.0 |
| 3/4-16 | 180 | 244.8 | 300 | 408.0 | 420 | 571.2 |
| 7/8-9 | 140 | 190.4 | 400 | 544.0 | 600 | 816.0 |
| 7/8-14 | 155 | 210.8 | 440 | 598.4 | 660 | 897.6 |
| 1-8 | 220 | 299.2 | 580 | 788.8 | 900 | 1,244.0 |
| 1-12 | 240 | 326.4 | 640 | 870.4 | 1,000 | 1,360.0 |

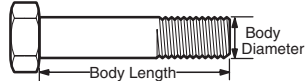
The guides and ruler furnished below are designed to help you select the appropriate hardware.



Nut, M8

Thread Diameter (mm)
Inside Diameter (in)
Threads per inch

Nut, 1/2-16



Screw, M8- 1.25 x 25

Thread Diameter (mm)
Body Diameter
Distance between threads (mm)
Threads per inch
Body Length (mm)
Body Length (in)

Screw, 1/2- 16 x 2



Standard Hardware Sizing

When a washer or nut is identified as **1/2"** (M8), this is the *Nominal size*, meaning the *inside diameter* is 1/2 inch (8mm metric thread diameter); if a second number is present it represents the *threads per inch* (distance between threads).

When bolt or capscrew is identified as **1/2 - 16 x 2"** (M8 - 1.25 x 50), this means the *Nominal size*, or body diameter is 1/2 inch (8mm metric thread diameter), the second number, 16, represents the *threads per inch*, (1.25 thread diameter). The final number is the body length of the bolt or screw, 2 inches (50mm).

NOTES

- These torque values are to be used for all hardware excluding: locknuts, self-tapping screws, thread forming screws, sheet metal screws and socket head setscrews.
- Recommended seating torque values for locknuts:
 - for prevailing torque locknuts - use 65% of grade 5 torques.
 - for flange whizlock nuts and screws - use 135% of grade 5 torques.
- Unless otherwise noted on assembly drawings, all torque values must meet this specification.

Common Hardware Types

Hex Head Capscrew

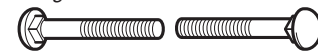


Washer



Lockwasher

Carriage Bolt



Hex Nut

Wrench & Fastener Size Guide

| | | | | |
|----------------------------------|----------------------------------|----------------------------------|--|---------------------------------|
| | | | | |
| 1/4" Bolt or Nut Wrench—7/16" | 5/16" Bolt or Nut Wrench—1/2" | 3/8" Bolt or Nut Wrench—9/16" | 7/16" Bolt or Nut Wrench (Bolt)—5/8" Wrench (Nut)—11/16" | 1/2" Bolt or Nut Wrench—3/4" |
| M6 Bolt or Nut Wrench—10mm | M8 Bolt or Nut Wrench—13mm | M10 Bolt or Nut Wrench—17mm | M12 Bolt or Nut Wrench—19mm | M14 Bolt or Nut Wrench—22mm |

Not for
Reproduction

**IT IS THE POLICY OF BRIGGS & STRATTON CORP. TO IMPROVE ITS PRODUCTS
WHENEVER IT IS POSSIBLE AND PRACTICAL TO DO SO. WE RESERVE THE RIGHT TO
MAKE CHANGES OR ADD IMPROVEMENTS AT ANY TIME WITHOUT INCURRING ANY
OBLIGATION TO MAKE SUCH CHANGES ON PRODUCTS.**

Briggs & Stratton Yard Power Products Group

3515 N. 124 Street / PO Box 702
Wauwatosa, WI 53222 USA

www.simplicitymfg.com

© Copyright 2012 by Briggs & Stratton Corporation
Milwaukee, WI, USA. All rights reserved