

240F

240R

Spare parts

Ersatzteile

Pièces détachées

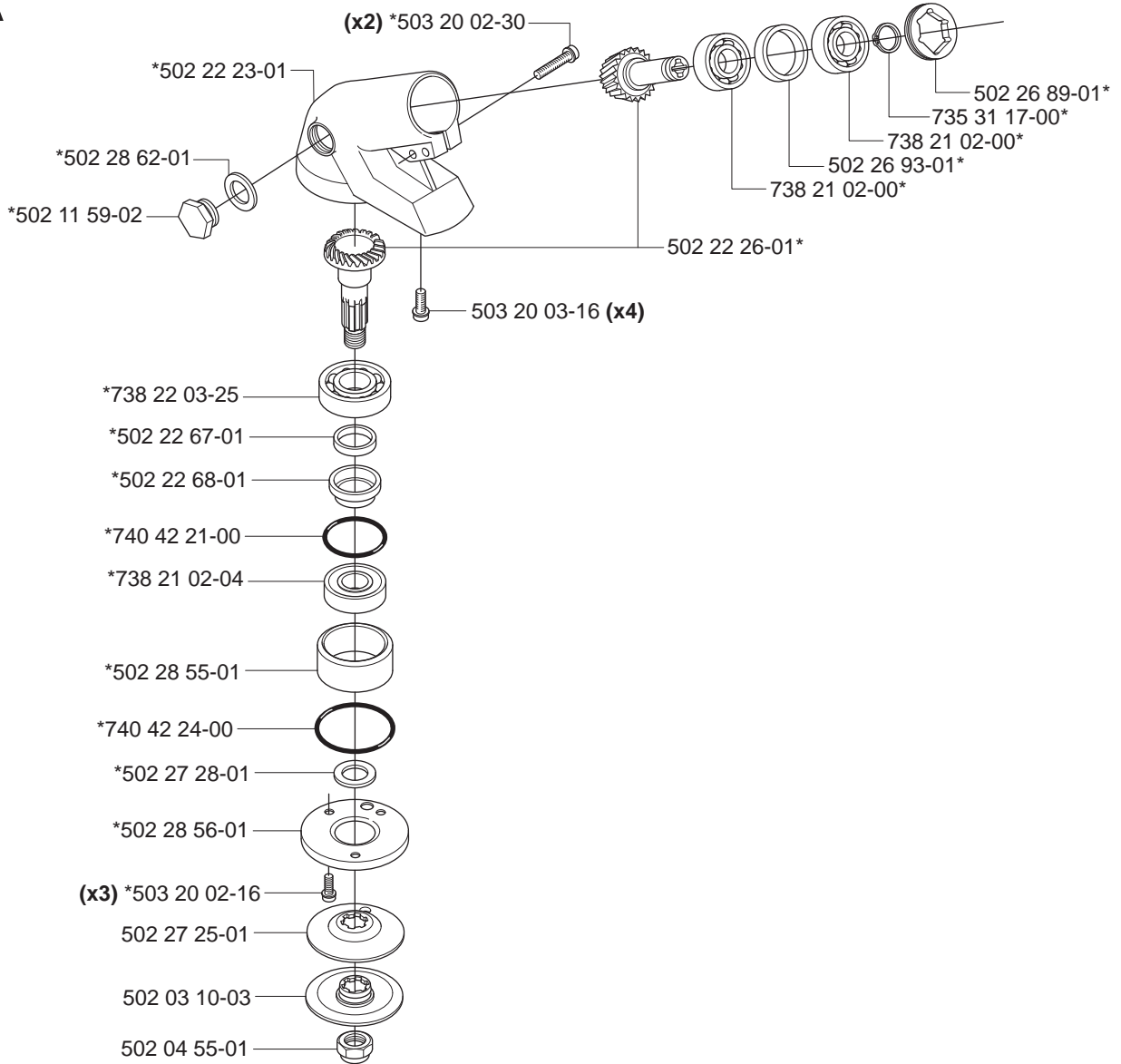
Reserve onderdelen

Repuestos

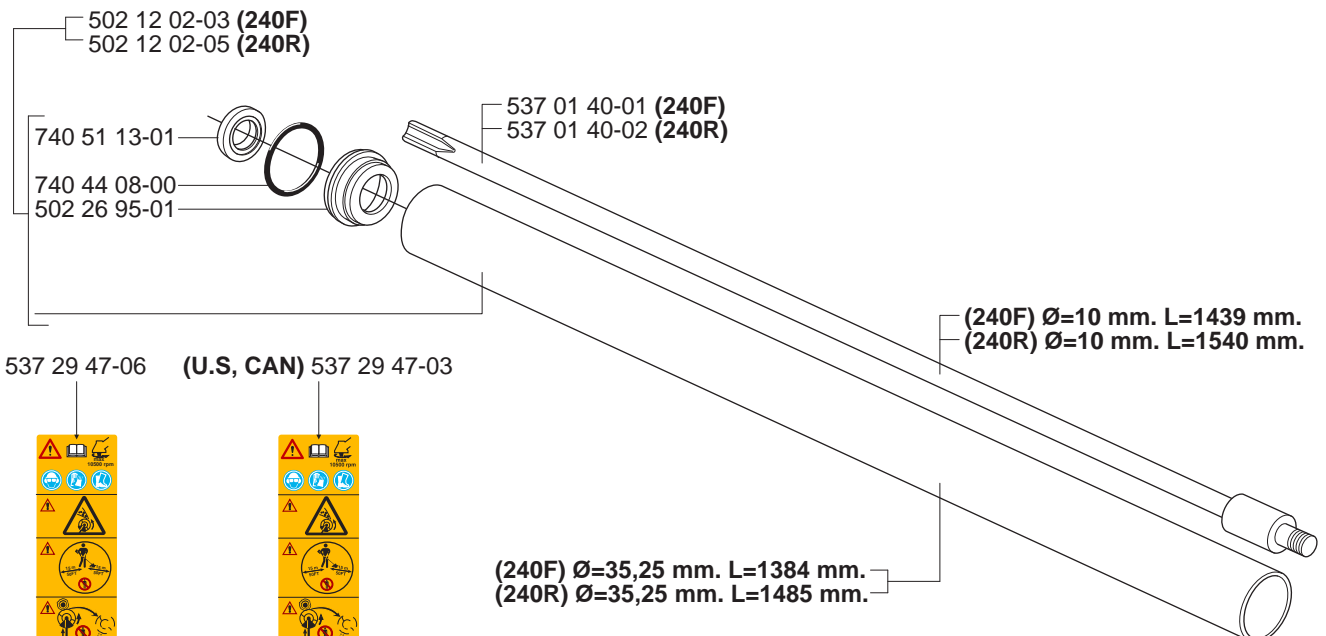
Reservdelar

A

*compl 502 28 57-02

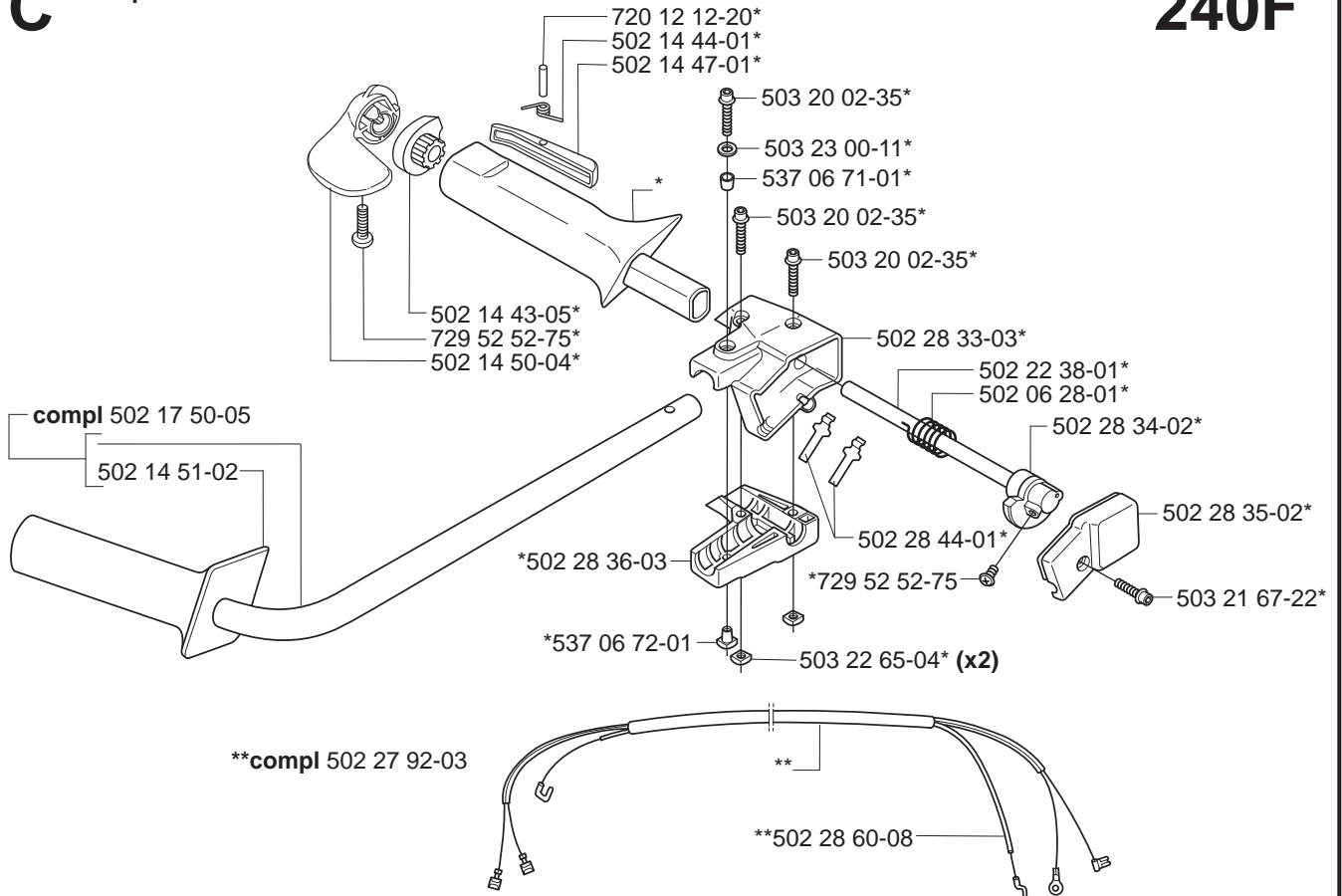


B



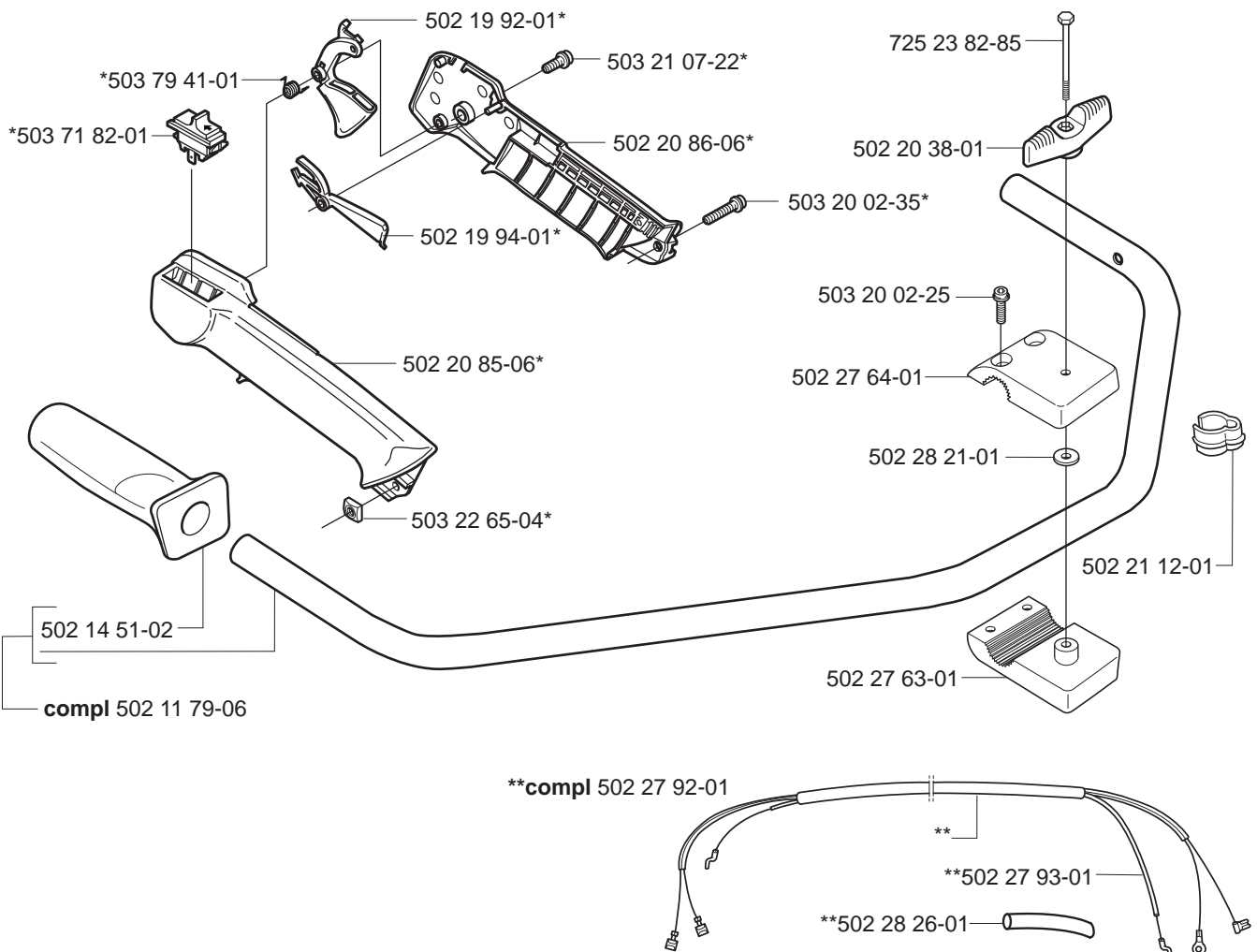
240F

C *compl 502 28 37-05

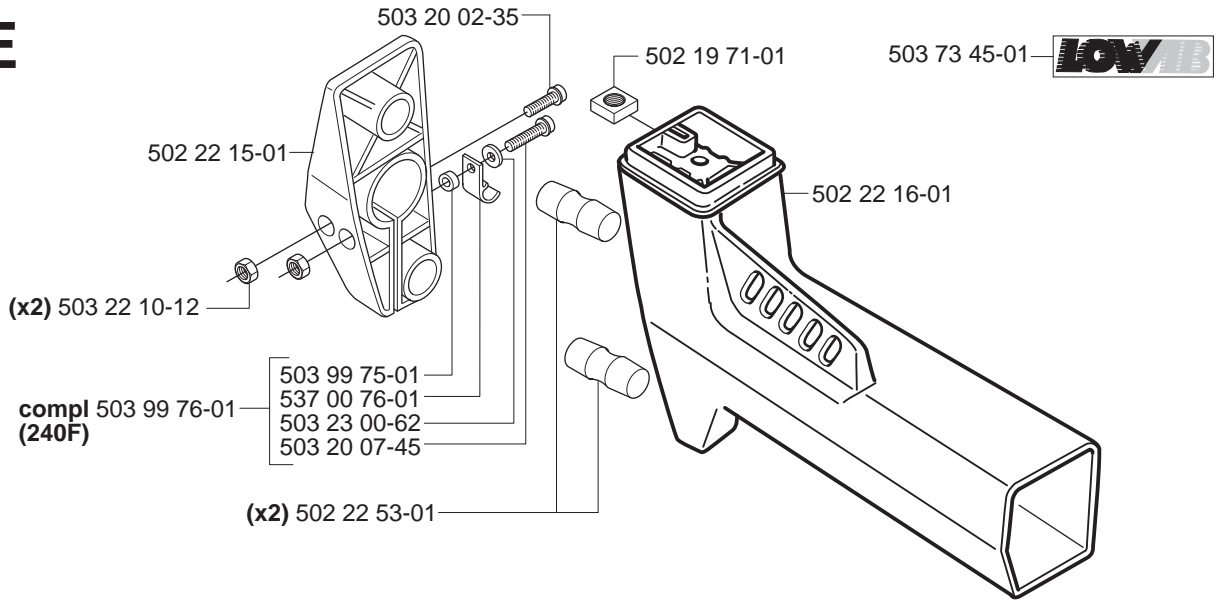


240R

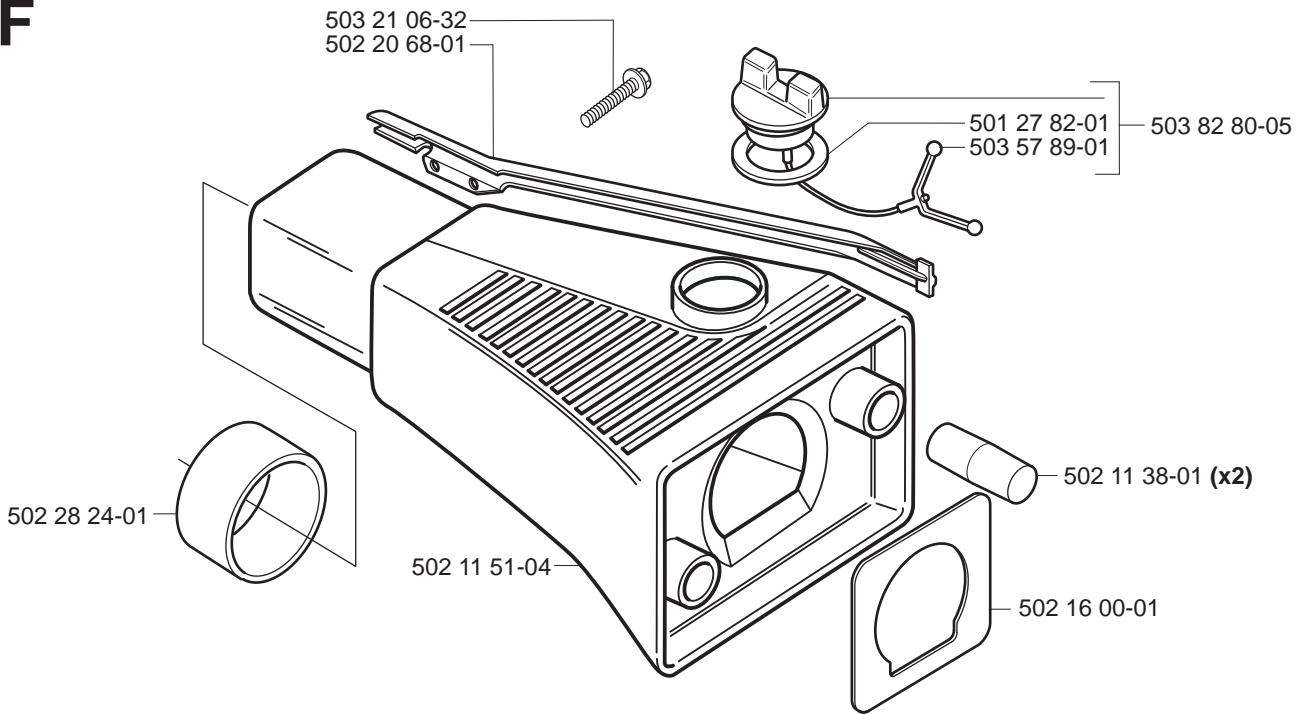
D *compl 502 28 06-11



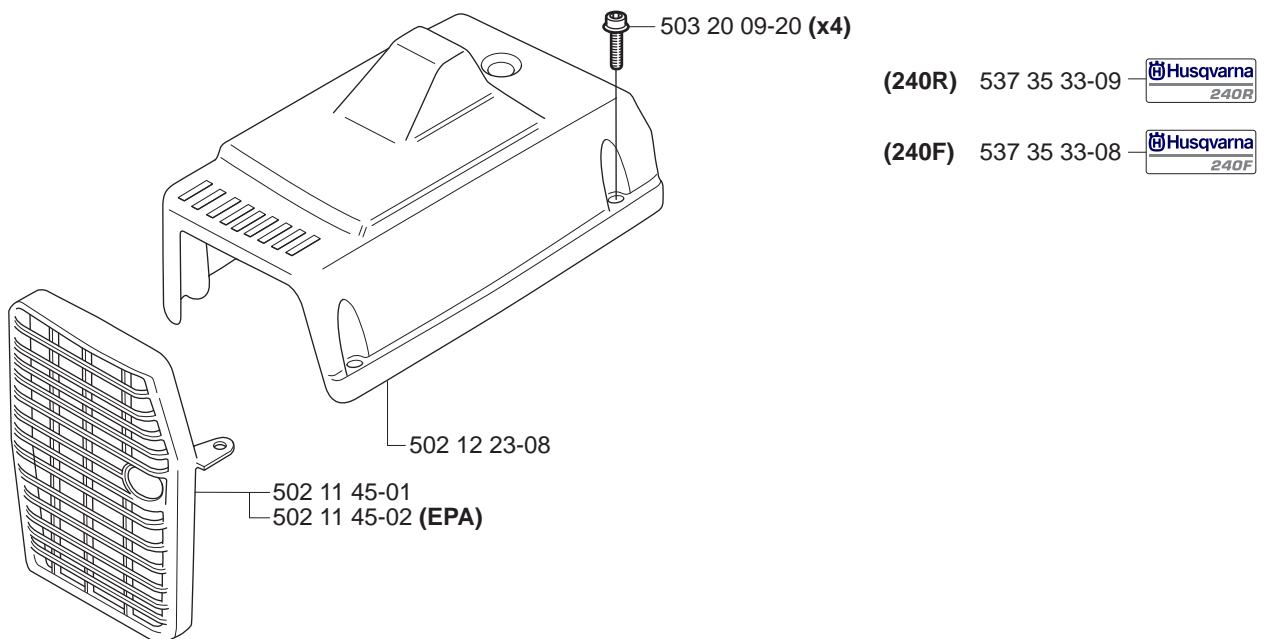
E

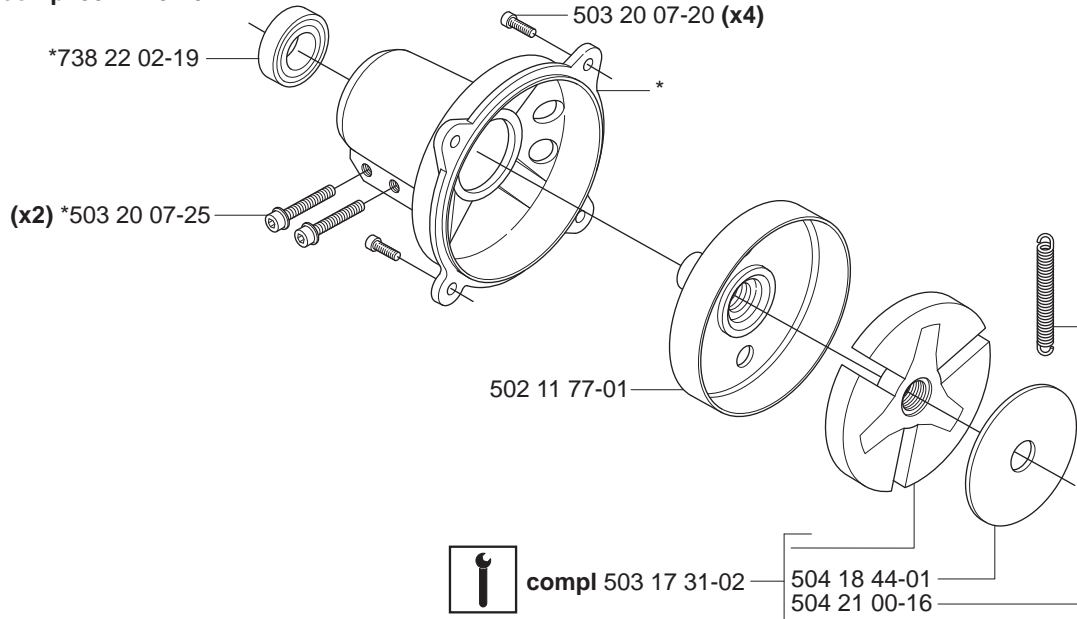
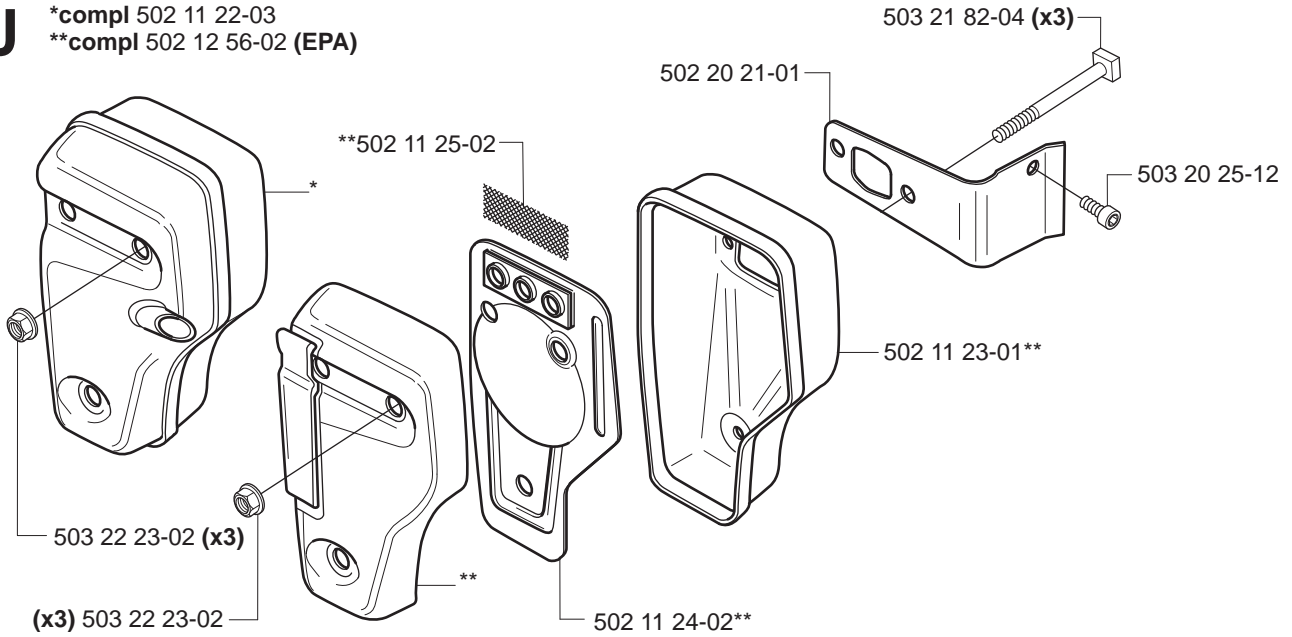
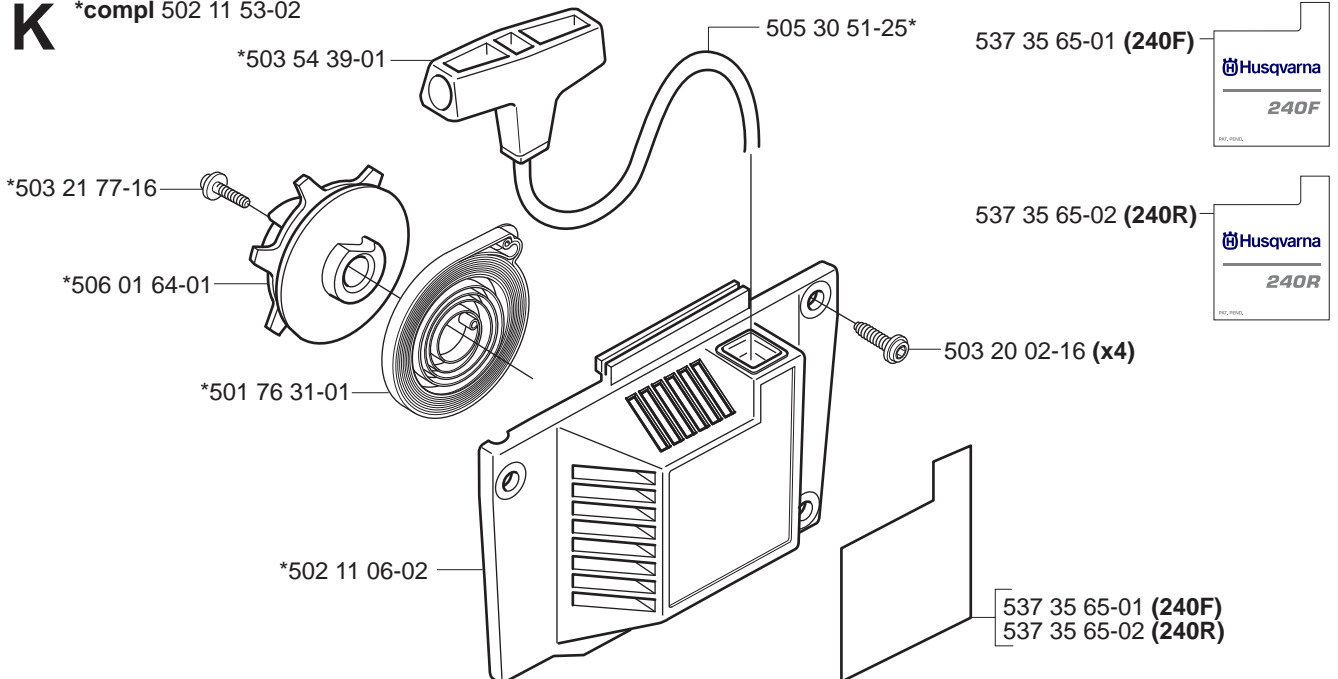


F

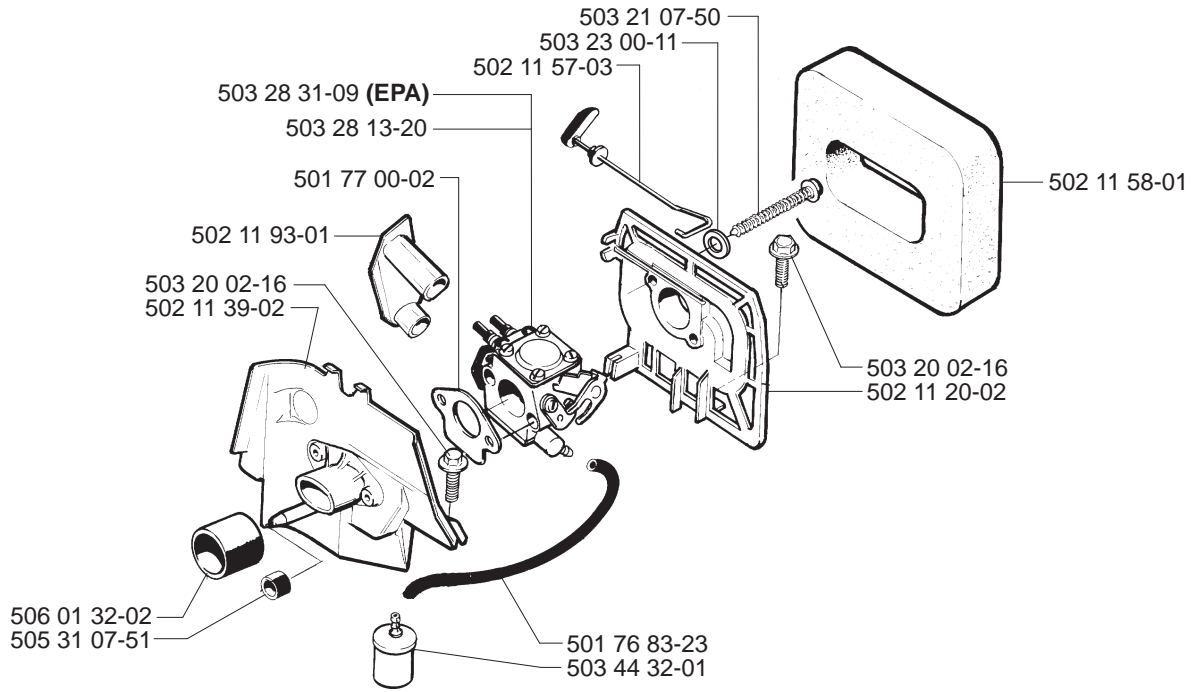


G



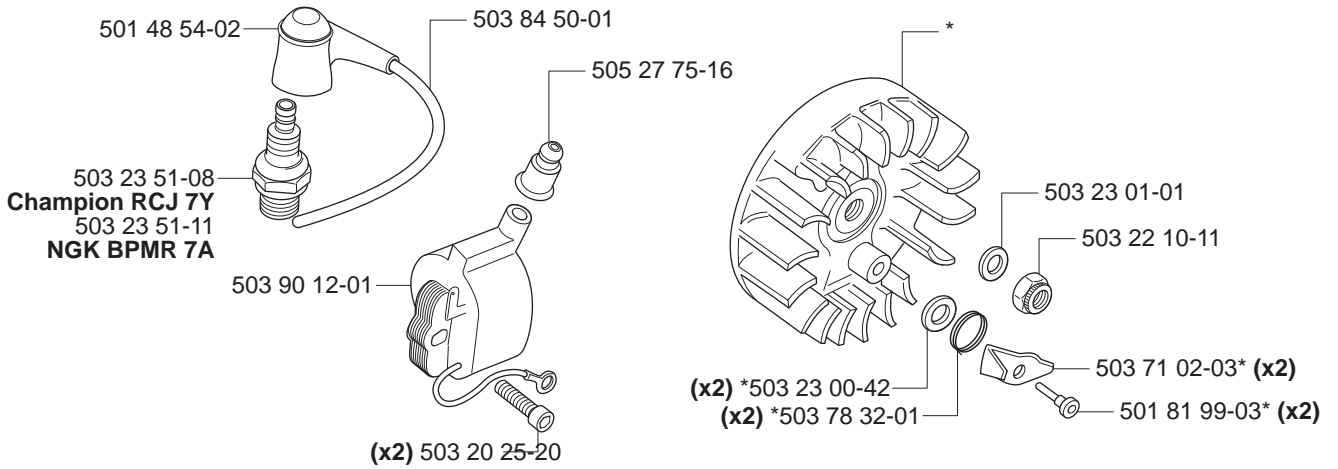
H***compl 502 11 52-01****J*****compl 502 11 22-03******compl 502 12 56-02 (EPA)****K*****compl 502 11 53-02**

L



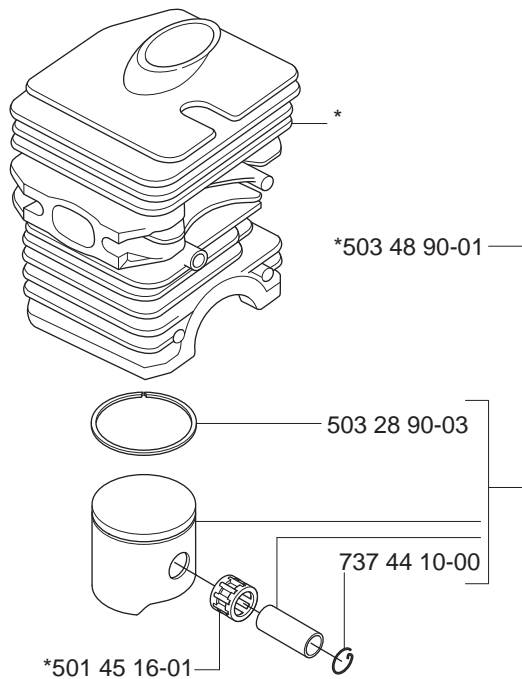
M

*compl 503 79 00-02

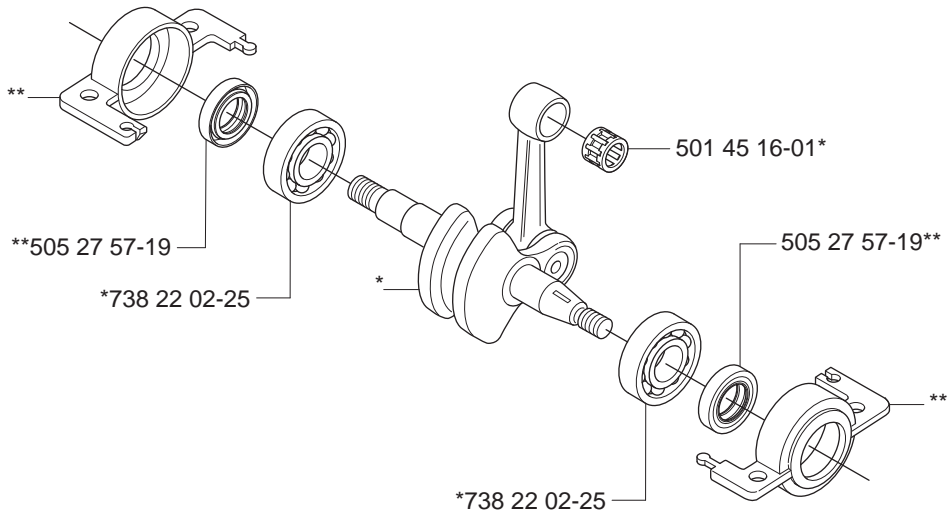


N

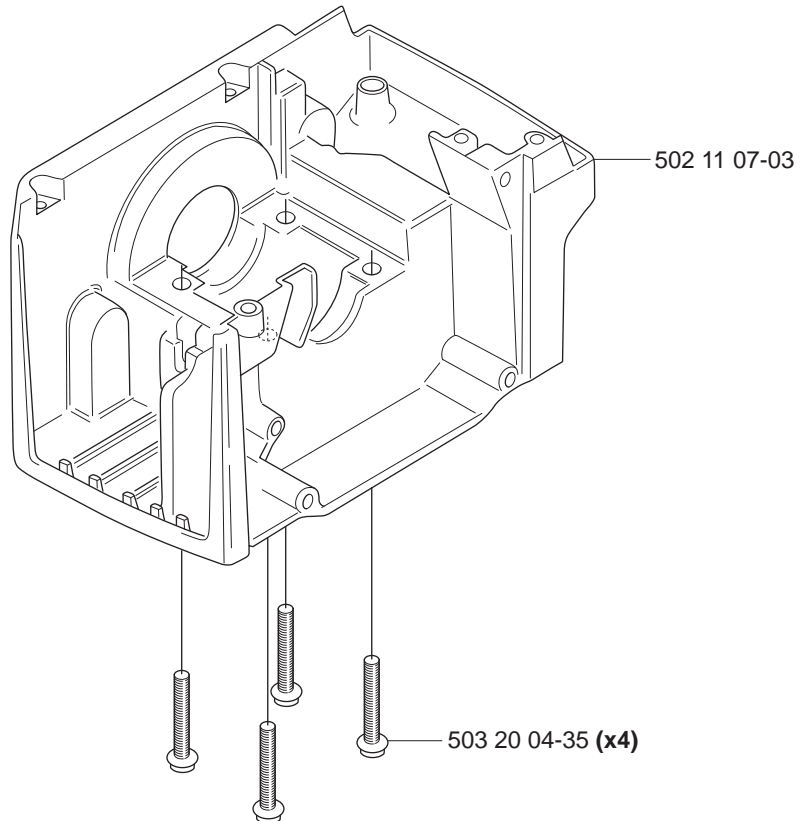
*compl 506 01 06-07 (Ø 40mm.)

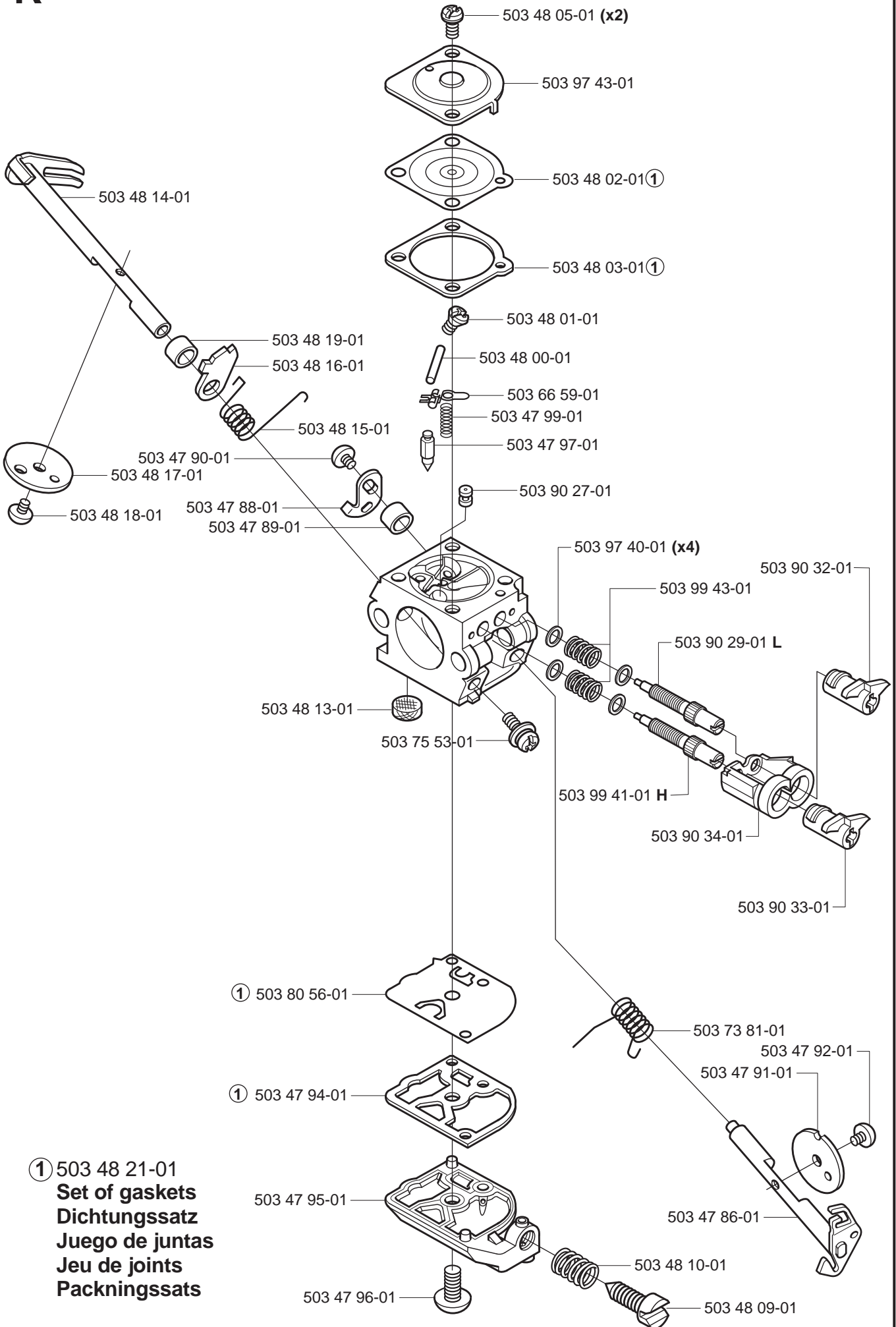


P *compl 503 57 38-06
**compl 502 23 02-01



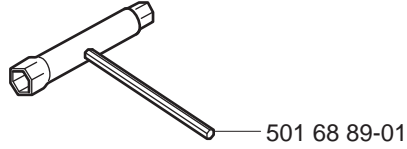
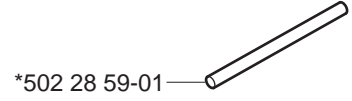
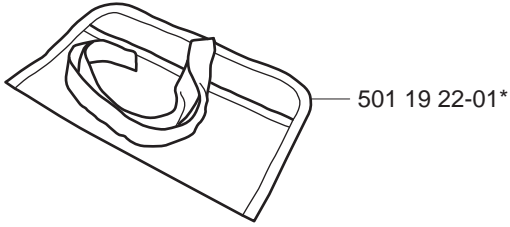
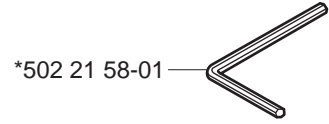
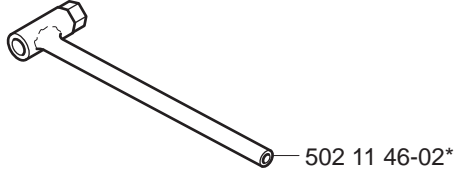
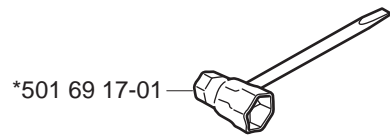
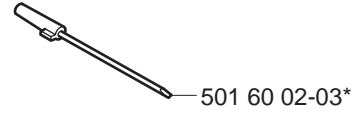
Q



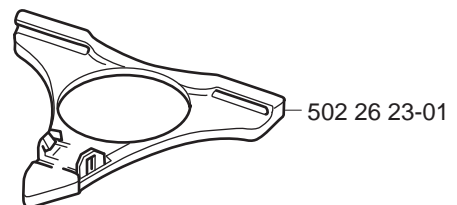
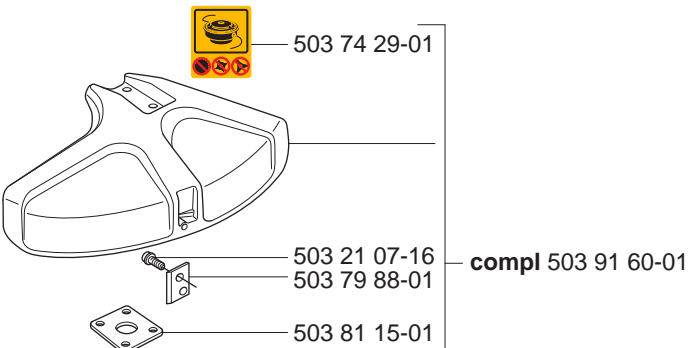
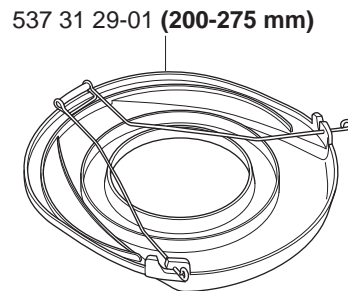
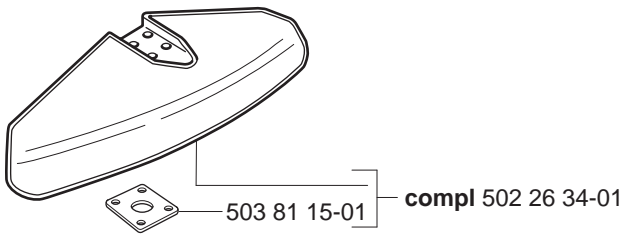
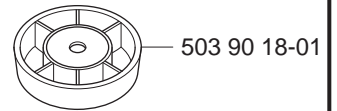
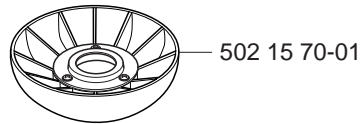
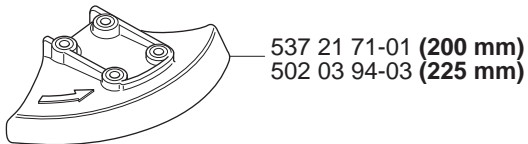
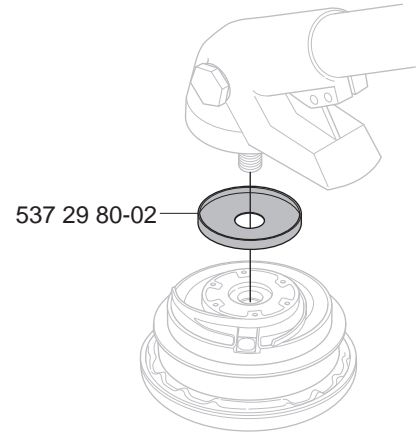
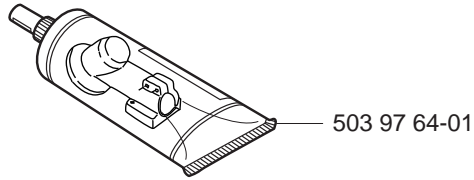
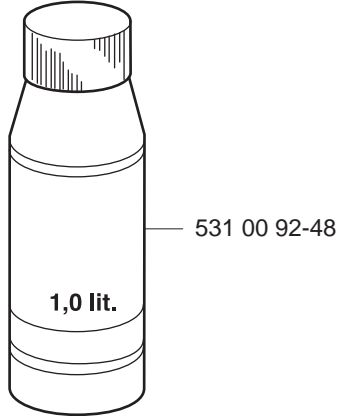


S Accessories
Zubehöre
Accessoires
Accesorios
Tillbehör

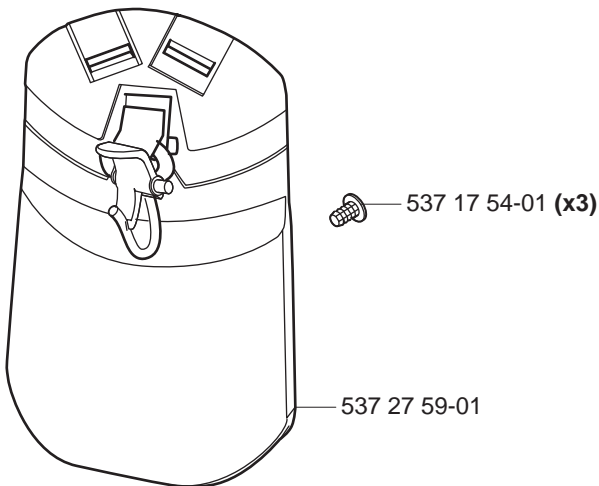
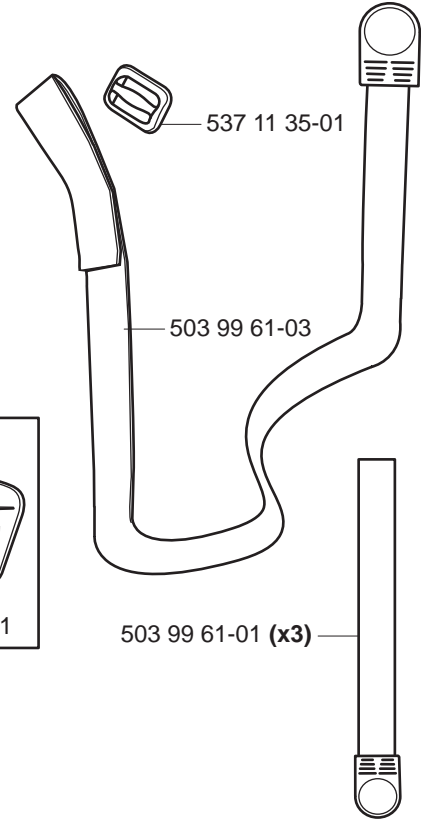
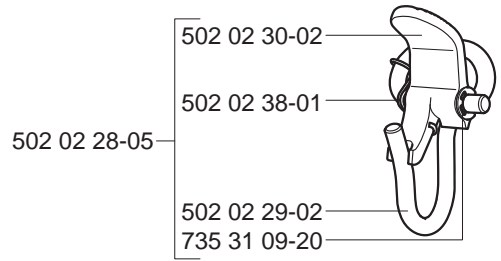
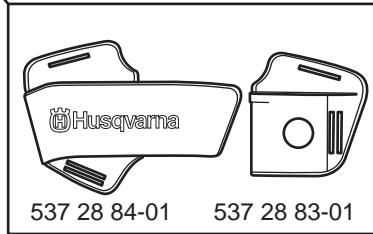
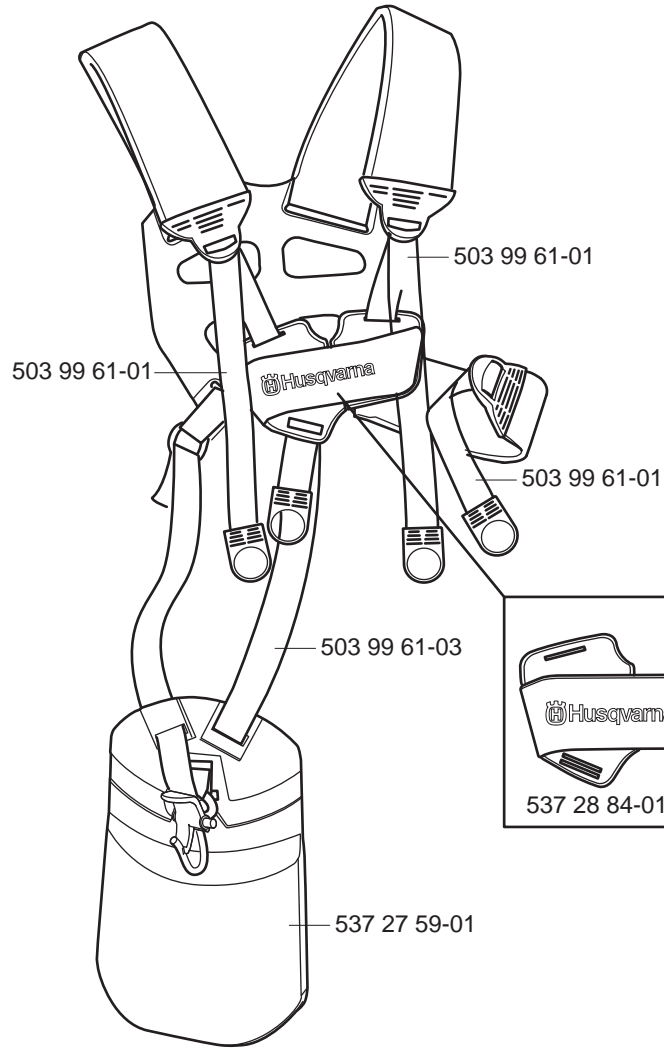
*compl 502 27 33-03



Olja Luftfilter
Oil Airfilter
Öl Luftfilter
Aceite Filtro Air
Huile Filtera aire



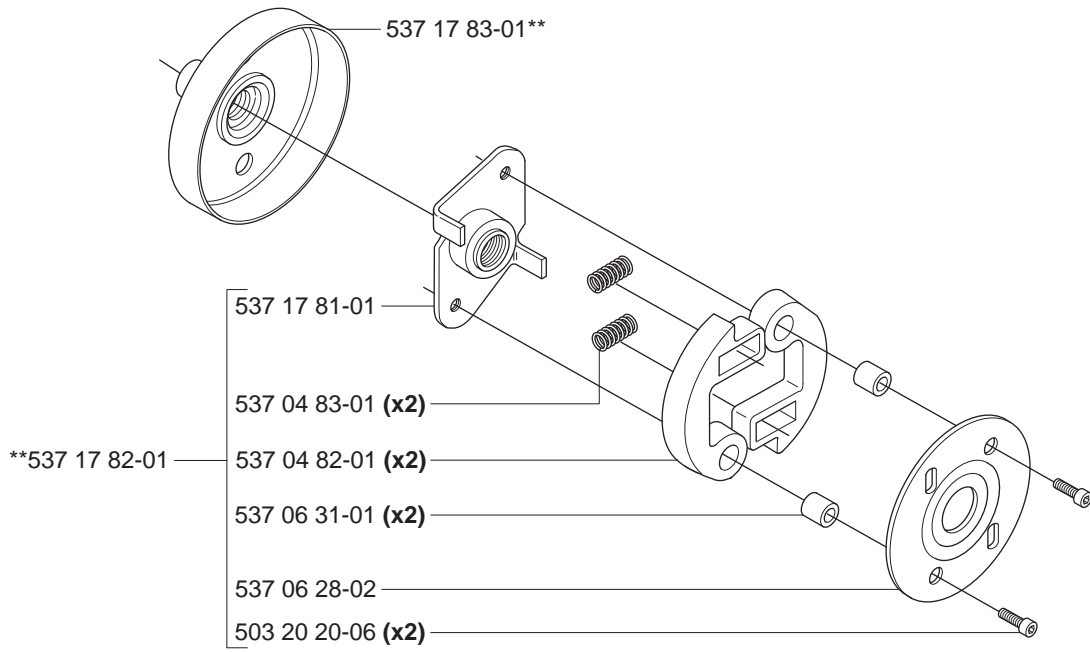
T Duo Balance
compl 537 27 57-01
compl 537 27 57-03 US



U



****compl 537 23 94-01**



PART NUMBER	SQUARE NOTE	PART NUMBER	SQUARE NOTE	PART NUMBER	SQUARE NOTE	PART NUMBER	SQUARE NOTE
501 19 22-01	S	502 23 02-01	P	503 47 92-01	R	537 04 82-01	U
501 27 82-01	F	502 26 23-01	S	503 47 94-01	R	537 04 83-01	U N
501 45 16-01	NP	502 26 34-01	S	503 47 95-01	R	537 06 28-02	U N
501 48 54-02	M	502 26 89-01	A	503 47 96-01	R	537 06 31-01	U N
501 60 02-03	S	502 26 93-01	A	503 47 97-01	R	537 06 71-01	C
501 68 89-01	S	502 26 95-01	B	503 47 99-01	R	537 06 72-01	C
501 69 17-01	S	502 27 25-01	A	503 48 00-01	R	537 11 35-01	T
501 76 31-01	K	502 27 28-01	A	503 48 01-01	R	537 17 54-01	T
501 76 83-23	L	502 27 33-03	S	503 48 02-01	R	537 17 81-01	U N
501 77 00-02	L	502 27 63-01	D	503 48 03-01	R	537 17 82-01	U N
501 81 99-03	M	502 27 64-01	D	503 48 05-01	R	537 17 83-01	U N
502 02 28-05	T	502 27 92-01	D	503 48 09-01	R	537 21 71-01	S N
502 02 29-02	T	502 27 92-03	C	503 48 10-01	R	537 23 94-01	U N
502 02 30-02	T	502 27 93-01	D	503 48 13-01	R	537 27 57-01	T
502 02 38-01	T	502 28 06-11	D	503 48 14-01	R	537 27 57-03	T
502 03 10-03	A	502 28 21-01	D	503 48 15-01	R	537 27 59-01	T
502 03 94-03	S	502 28 24-01	F	503 48 16-01	R	537 28 83-01	T
502 04 55-01	A	502 28 26-01	D	503 48 17-01	R	537 28 84-01	T
502 06 28-01	C	502 28 33-03	C	503 48 18-01	R	537 29 47-03	B N
502 11 06-02	K	502 28 34-02	C	503 48 19-01	R	537 29 47-06	B N
502 11 07-03	Q	502 28 35-02	C	503 48 21-01	R	537 29 80-02	S N
502 11 20-02	L	502 28 36-03	C	503 48 90-01	N	537 31 29-01	S N
502 11 22-03	J	502 28 37-05	C	503 54 39-01	K	537 35 33-08	G N
502 11 23-01	J	502 28 44-01	C	503 57 38-06	P	537 35 33-09	G N
502 11 24-02	J	502 28 55-01	A	503 57 89-01	F	537 35 65-01	K
502 11 25-02	J	502 28 56-01	A	503 66 59-01	R	537 35 65-02	K
502 11 38-01	F	502 28 57-02	A	503 71 02-03	M	720 12 12-20	C
502 11 39-02	L	502 28 59-01	S	503 71 82-01	D	725 23 82-85	D
502 11 45-01	G	502 28 60-08	C	503 73 45-01	E	729 52 52-75	C
502 11 45-02	G	502 28 62-01	A	503 73 81-01	R	735 31 09-20	T
502 11 46-02	S	503 17 31-02	H	503 74 29-01	S	735 31 17-00	A
502 11 51-04	F	503 20 02-16	AKL	503 75 53-01	R	737 44 10-00	N
502 11 52-01	H	503 20 02-25	D	503 78 32-01	M	738 21 02-00	A
502 11 53-02	K	503 20 02-30	A	503 79 00-02	M	738 21 02-04	A
502 11 57-03	L	503 20 02-35	CDE	503 79 41-01	D	738 22 02-19	H N
502 11 58-01	L	503 20 03-16	A	503 79 88-01	S	738 22 02-25	P
502 11 59-02	A	503 20 04-35	Q	503 80 56-01	R	738 22 03-25	A
502 11 77-01	H	503 20 07-20	H	503 81 15-01	S	740 42 21-00	A
502 11 79-06	D	503 20 07-25	H	503 82 80-05	F	740 42 24-00	A
502 11 93-01	L	503 20 07-45	E	503 84 50-01	M	740 44 08-00	B
502 12 02-03	B	503 20 09-20	G	503 90 12-01	M	740 51 13-01	B
502 12 02-05	B	503 20 20-06	U N	503 90 18-01	S		
502 12 23-08	G	503 20 25-12	J	503 90 27-01	R		
502 12 56-02	J	503 20 25-20	M	503 90 29-01	R		
502 14 43-05	C	503 21 06-32	F	503 90 32-01	R		
502 14 44-01	C	503 21 07-16	S	503 90 33-01	R		
502 14 47-01	C	503 21 07-22	D	503 90 34-01	R		
502 14 50-04	C	503 21 07-50	L	503 91 60-01	S		
502 14 51-02	CD	503 21 67-22	C	503 97 40-01	R		
502 15 70-01	S	503 21 77-16	K	503 97 43-01	R		
502 16 00-01	F	503 21 82-04	J	503 97 64-01	S		
502 17 50-05	C	503 22 10-11	M	503 99 41-01	R		
502 19 71-01	E	503 22 10-12	E	503 99 43-01	R		
502 19 92-01	D	503 22 23-02	J	503 99 61-01	T		
502 19 94-01	D	503 22 65-04	CD	503 99 61-03	T		
502 20 21-01	J	503 23 00-11	CL	503 99 75-01	E		
502 20 38-01	D	503 23 00-42	M	503 99 76-01	E		
502 20 68-01	F	503 23 00-62	E	504 18 44-01	H		
502 20 85-06	D	503 23 01-01	M	504 21 00-16	H		
502 20 86-06	D	503 23 51-08	M	505 27 57-19	P		
502 21 12-01	D	503 23 51-11	M	505 27 75-16	M		
502 21 58-01	S	503 28 13-20	L	505 30 51-25	K		
502 22 15-01	E	503 28 31-09	LR	505 31 07-51	L		
502 22 16-01	E	503 28 90-03	N	506 01 06-07	N		
502 22 23-01	A	503 44 32-01	L	506 01 32-02	L		
502 22 26-01	A	503 47 86-01	R	506 01 64-01	K		
502 22 38-01	C	503 47 88-01	R	531 00 92-48	S		
502 22 53-01	E	503 47 89-01	R	537 00 76-01	E		
502 22 67-01	A	503 47 90-01	R	537 01 40-01	B		
502 22 68-01	A	503 47 91-01	R	537 01 40-02	B		

Set of gaskets, Dichtungssatz,
Jeu de joints, Juego de juntas,
Packningsatts

N = New part, Neues teil,
Nouvelle piece, Nueva pieza
Ny detalj