

250 R/RX 252 RX



1.1997

Spare parts

Ersatzteile

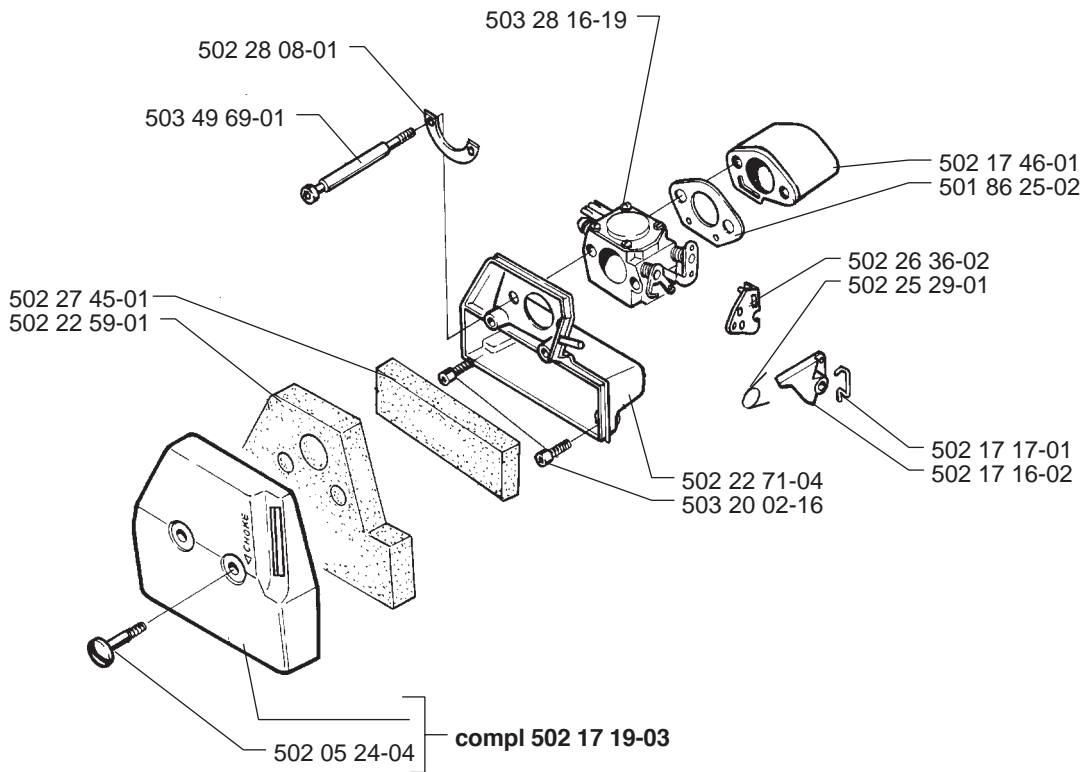
Pièces détachées

Reserve onderdelen

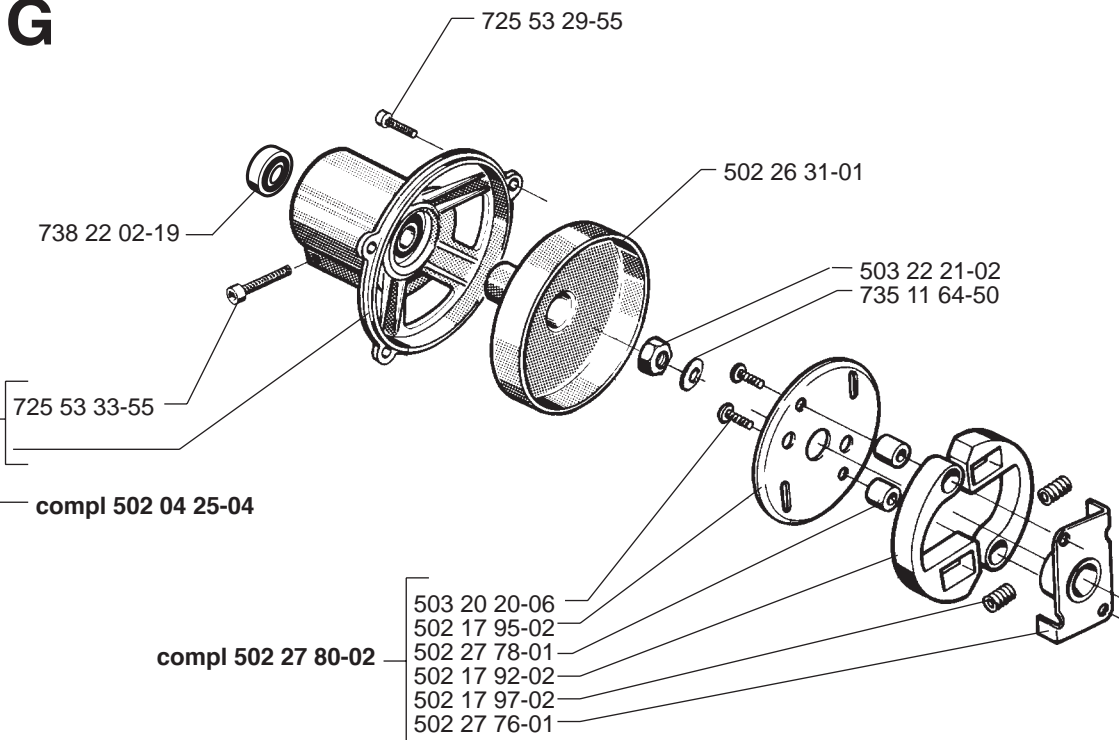
Repuestos

Reservdelar

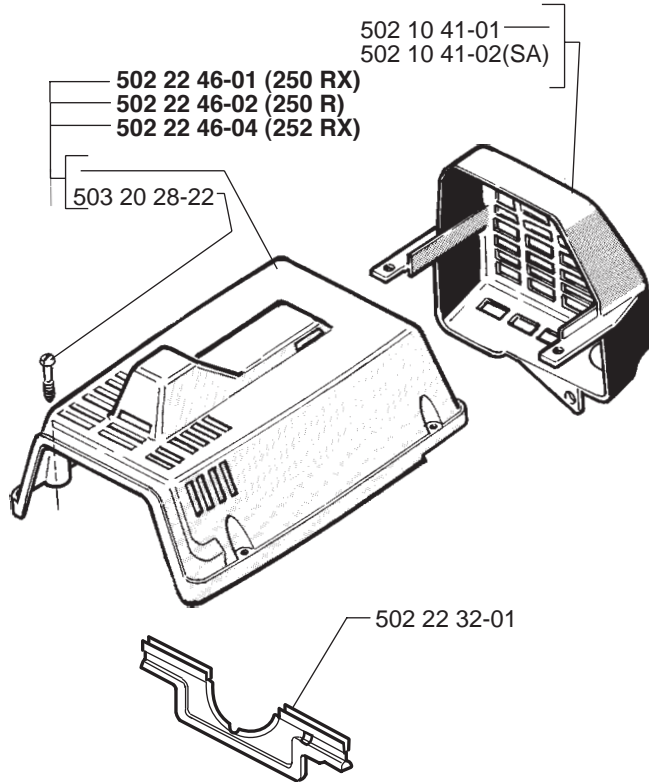
A



G

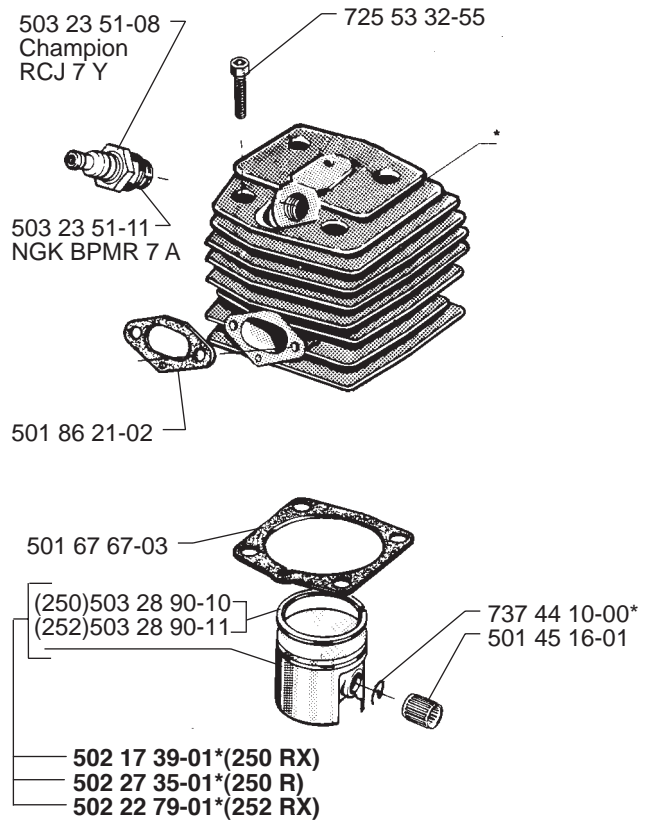


B



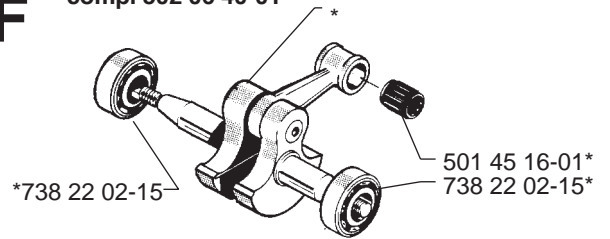
C

- *compl 502 17 37-01 (250 RX)
- *compl 502 27 34-01 (250 R)
- *compl 502 22 77-01 (252 RX)



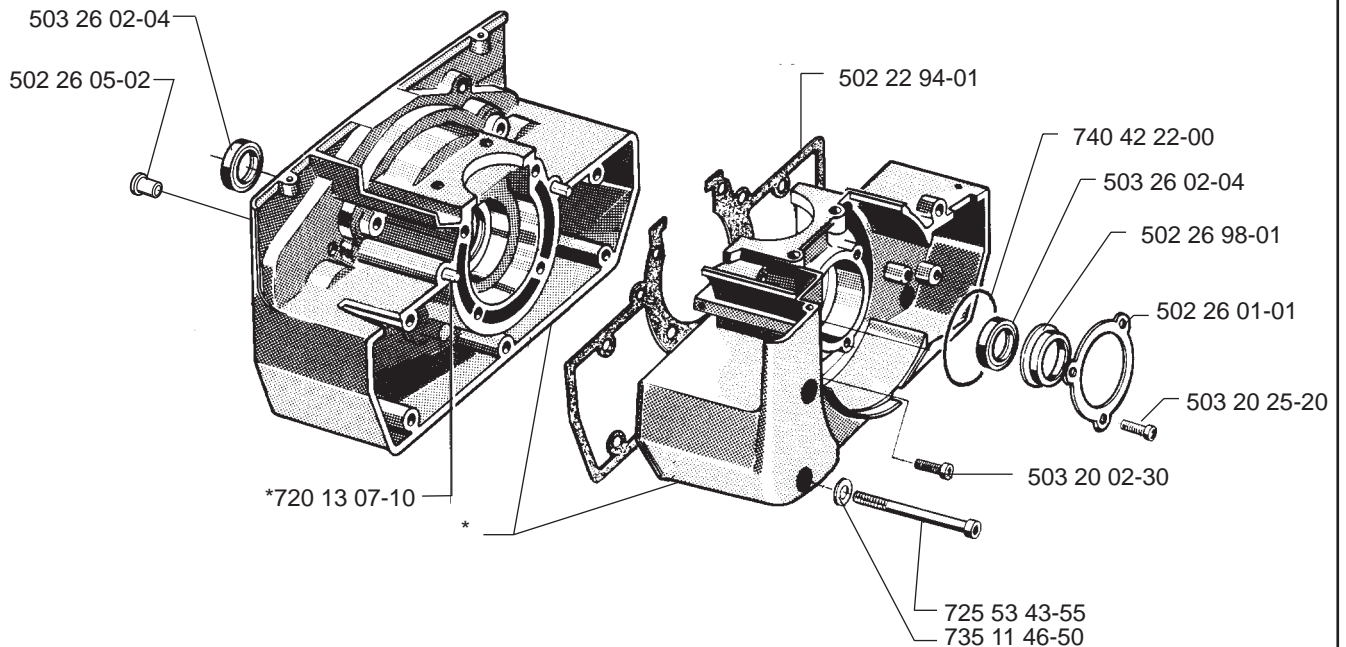
F

- *compl 502 06 40-01



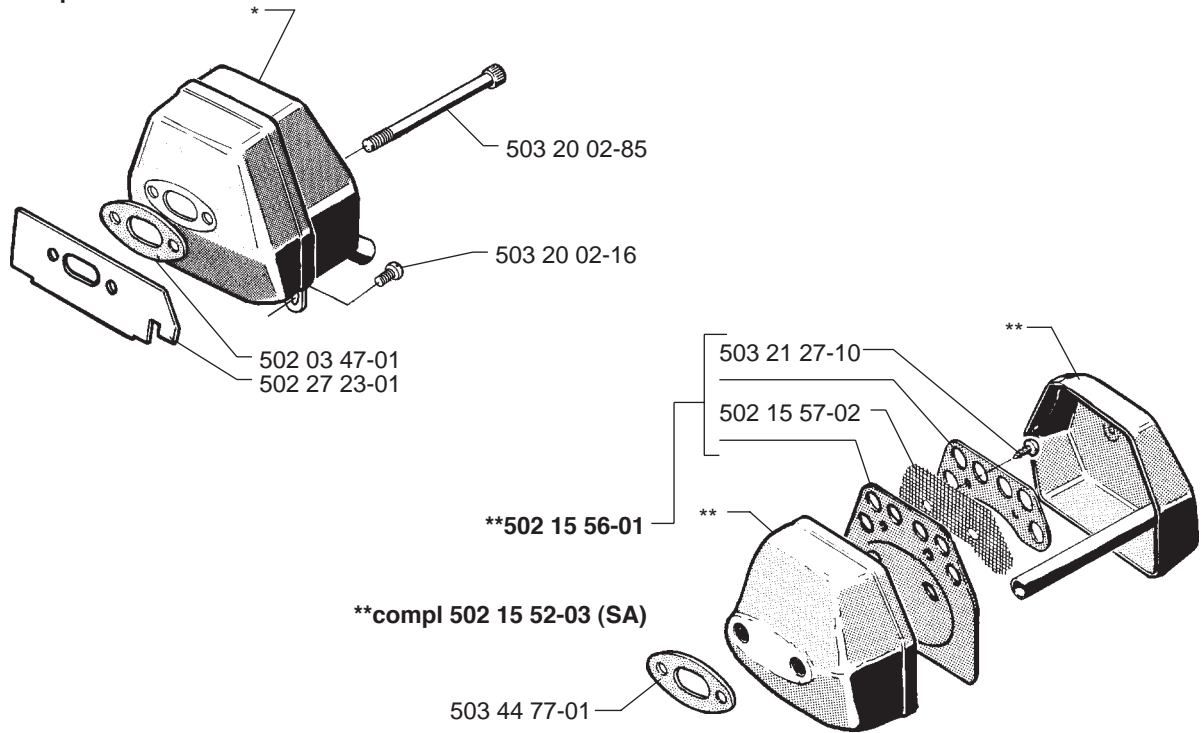
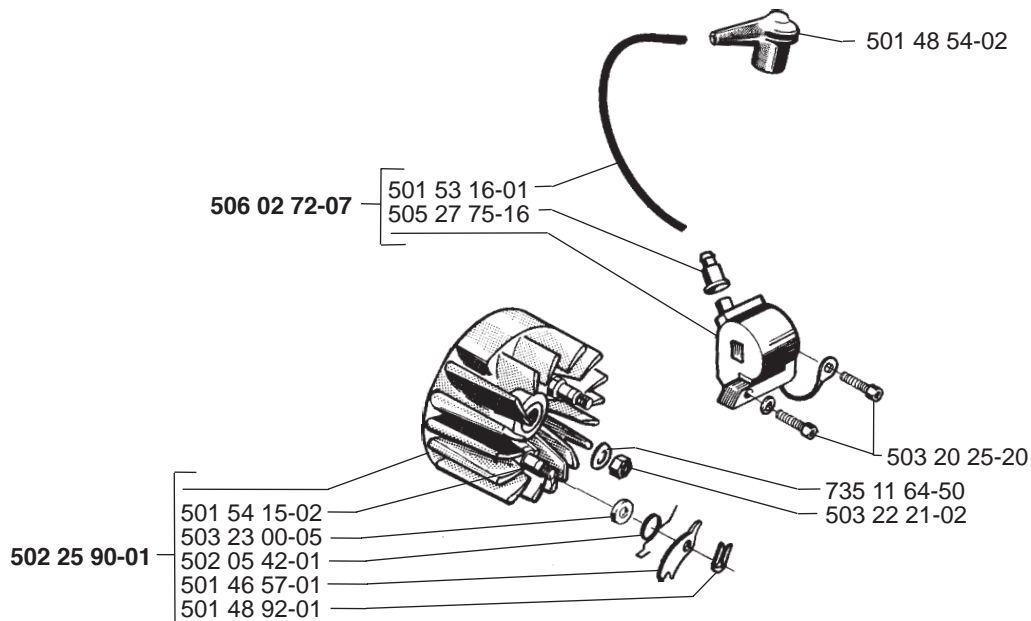
H

- *compl 502 17 35-05 (R) (RX)

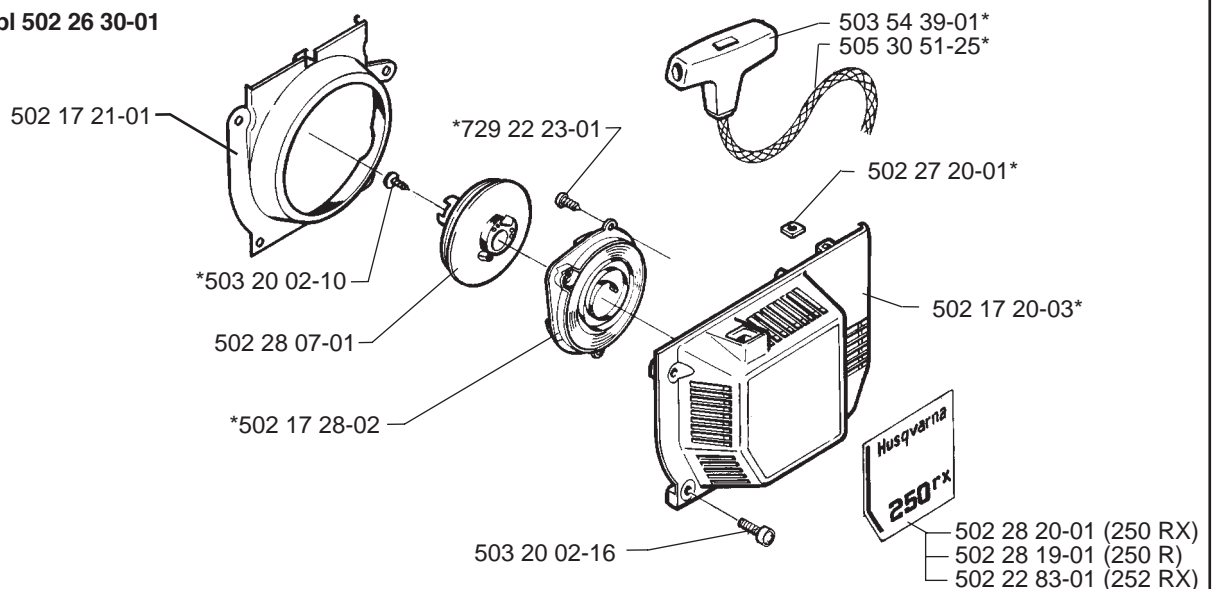


D

*compl 502 23 00-01

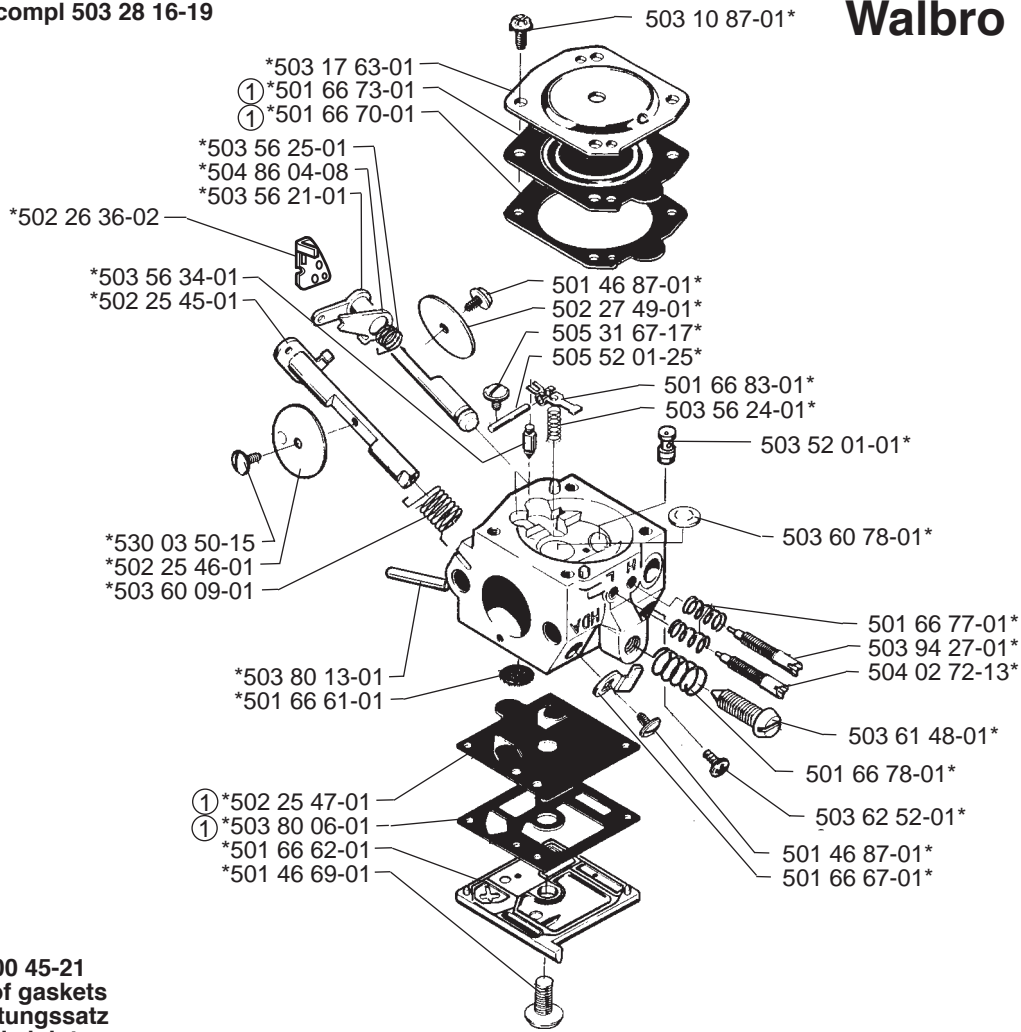
**J****K**

*compl 502 26 30-01



E

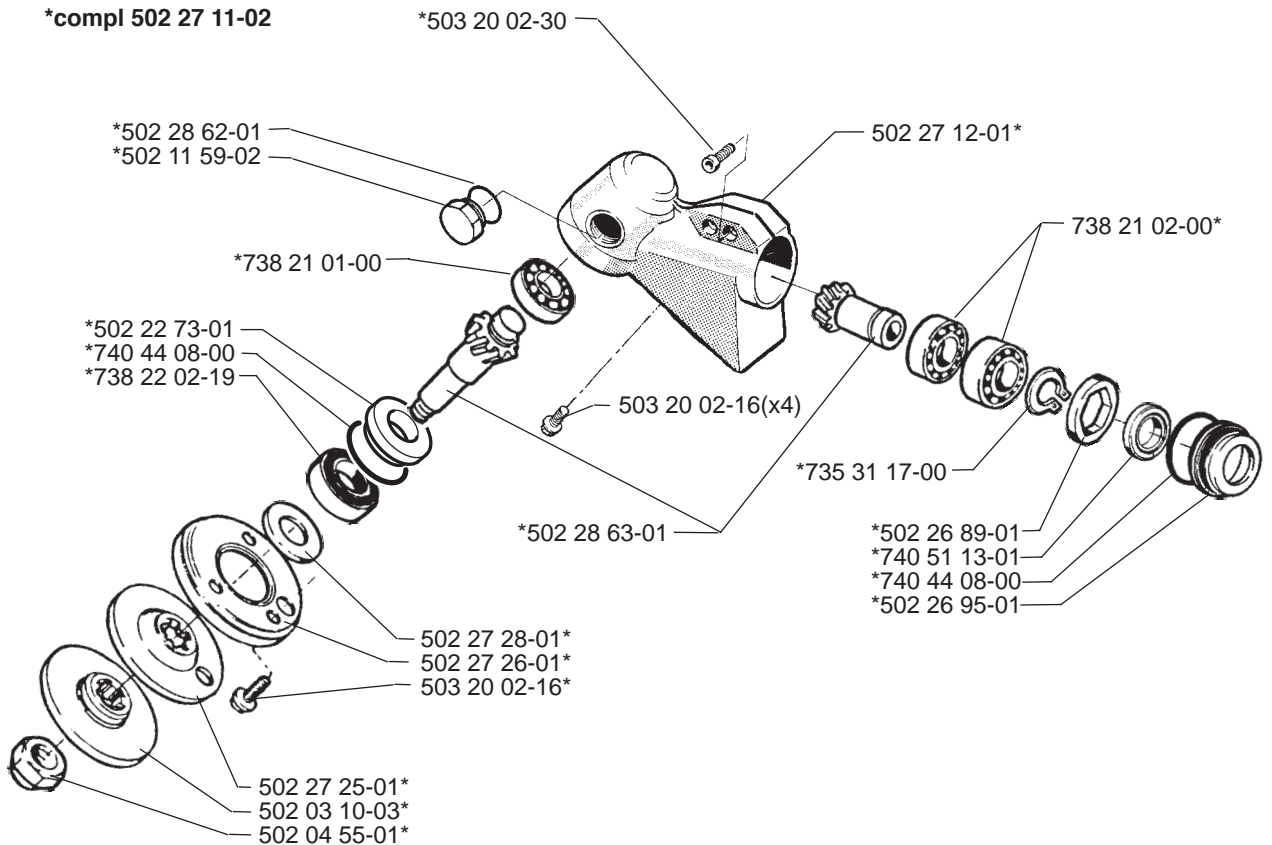
*compl 503 28 16-19

Walbro HDA-142

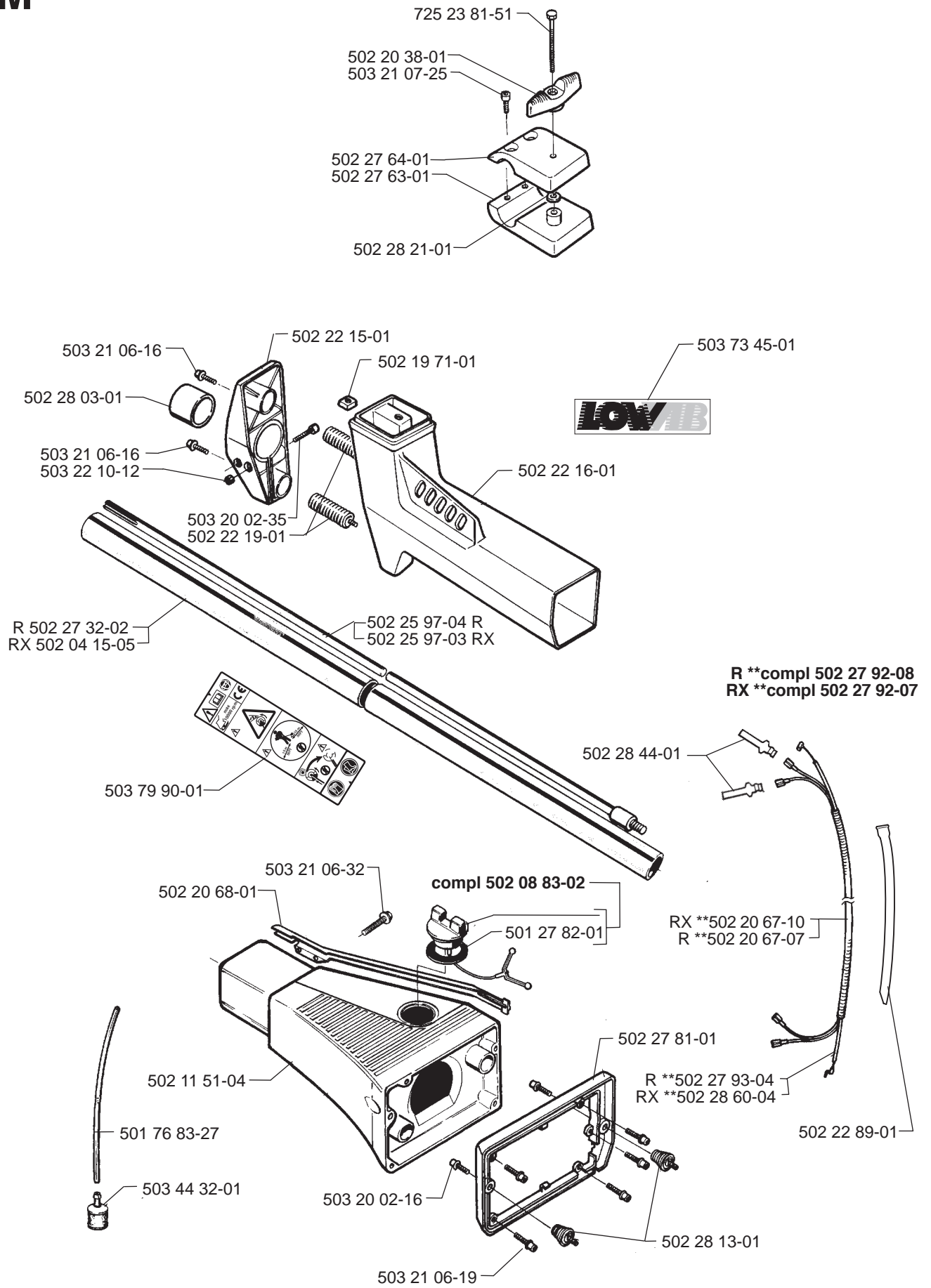
① 531 00 45-21
 Set of gaskets
 Dichtungssatz
 Jeu de joints
 Juego de juntas
 Packningssats

L

*compl 502 27 11-02

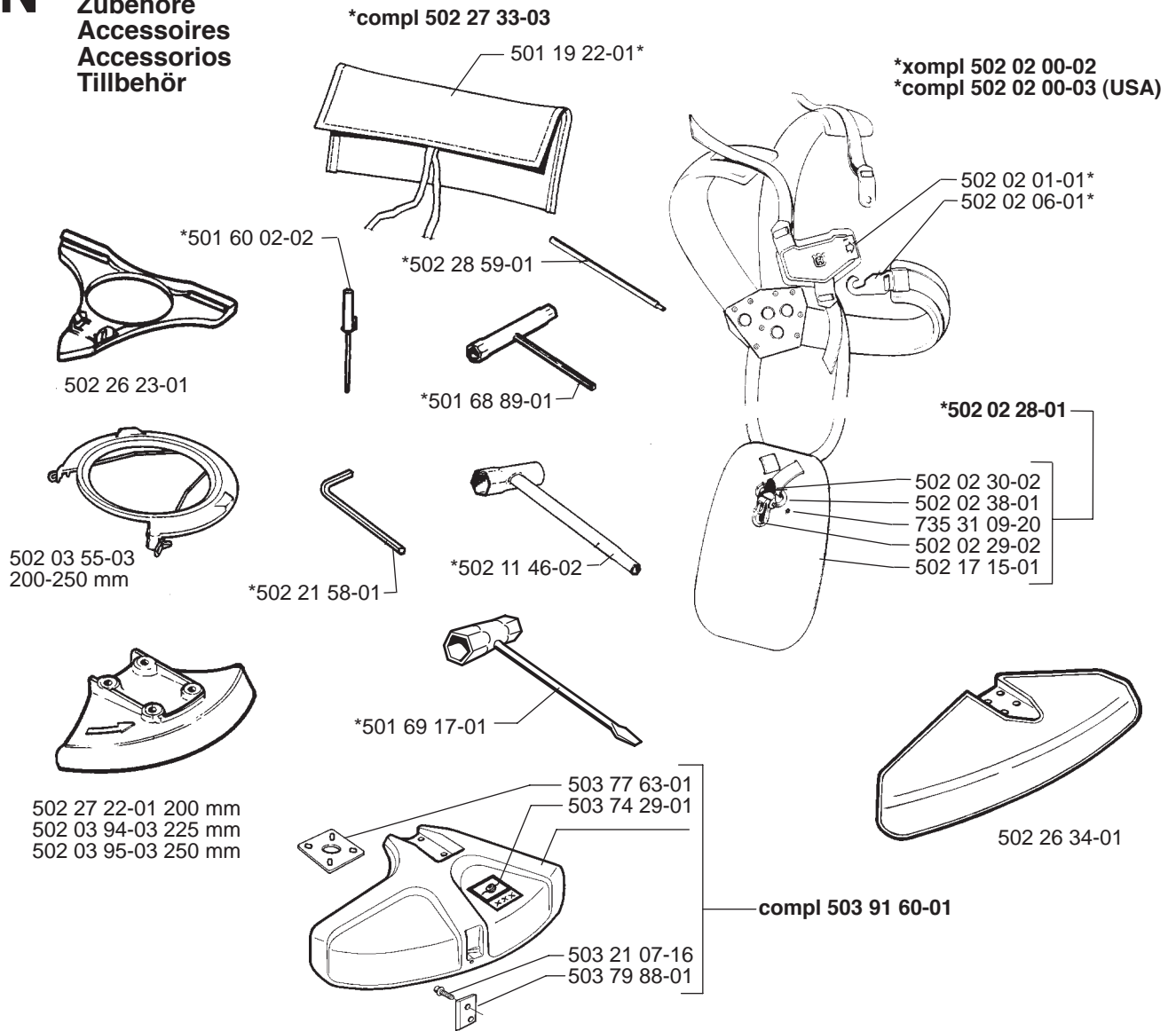


M



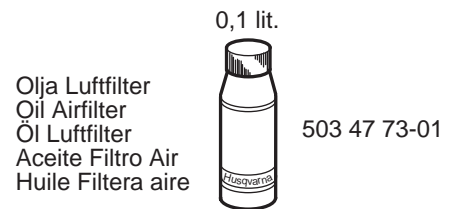
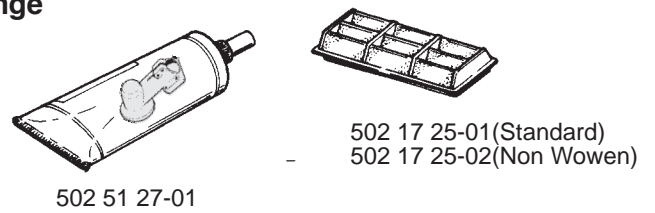
N

**Accessories
Zubehöre
Accessoires
Accesorios
Tillbehör**



O

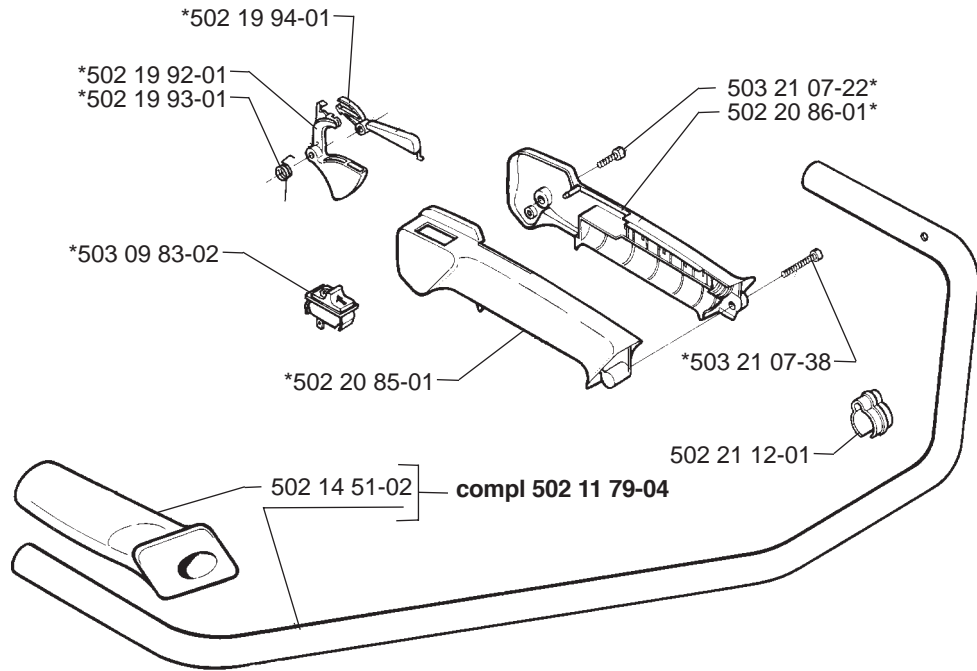
**Delivery as spare part only
Nur als Ersatzteil lieferbar
Livrabale seulement comme pièce de rechange
Solo como repuesto
Levereras endast som reservdel**



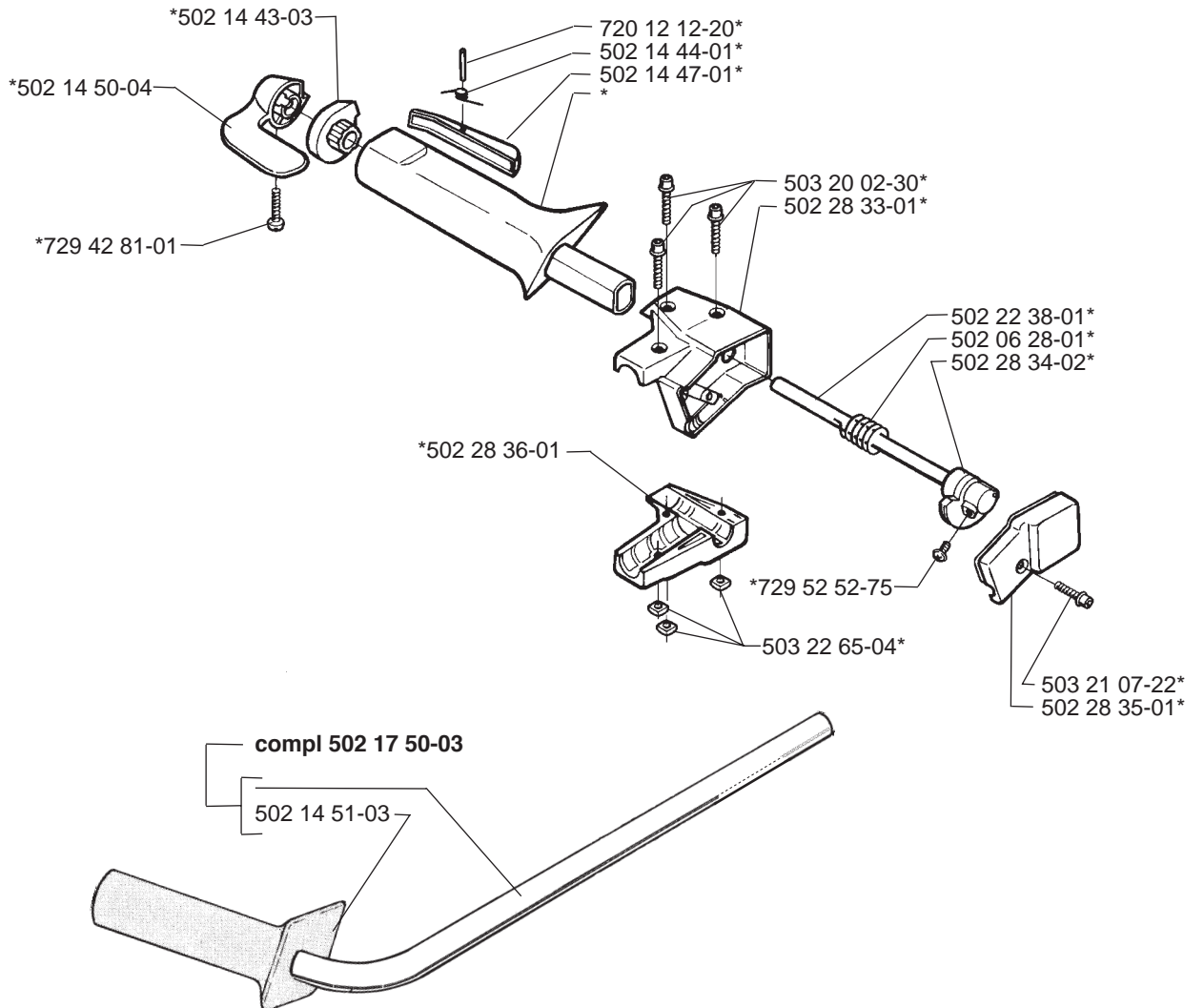
P

250 R

*compl 502 28 06-01



*compl 502 28 37-01



Part Number	Square	Note	Part Number	Square	Note	Part Number	Square	Note	Part Number	Square	Note
501 19 22-01	N	N	502 17 35-05	H	N	502 27 76-01	G		503 74 29-01	N	
501 27 82-01	M		502 17 37-01	C		502 27 78-01	G	N	503 77 63-01	N	
501 45 16-01	CF		502 17 39-01	C		502 27 80-02	G	N	503 79 88-01	N	N
501 46 57-01	J		502 17 46-01	A		502 27 81-01	M		503 79 90-01	M	N
501 46 69-01	E	N	502 17 50-03	P		502 27 92-07	M	N	503 80 06-01	E	N
501 46 87-01	E		502 17 92-02	G		502 27 92-08	M	N	503 80 13-01	E	N
501 48 54-02	J		502 17 95-02	G		502 27 93-04	M	N	503 91 60-01	N	N
501 48 92-01	J		502 17 97-02	G		502 28 03-01	M		503 94 27-01	E	N
501 53 16-01	J		502 19 71-01	M		502 28 06-01	P		504 02 72-13	E	
501 54 15-02	J		502 19 92-01	P		502 28 07-01	K		504 86 04-08	E	
501 60 02-02	N		502 19 93-01	P		502 28 08-01	A		505 27 75-16	J	
501 66 61-01	E		502 19 94-01	P		502 28 13-01	M		505 30 51-25	K	
501 66 62-01	E		502 20 38-01	M		502 28 19-01	K		505 31 67-17	E	
501 66 67-01	E		502 20 67-07	M		502 28 20-01	K		505 52 01-25	E	
501 66 70-01	E	N	502 20 67-10	M		502 28 21-01	M		506 02 72-07	J	
501 66 73-01	E		502 20 68-01	M		502 28 33-01	P		530 03 50-15	E	
501 66 77-01	E		502 20 85-01	P		502 28 34-02	P	N	531 00 45-21	E	N
501 66 78-01	E		502 20 86-01	P		502 28 35-01	P		720 12 12-20	P	
501 66 83-01	E		502 21 12-01	P		502 28 36-01	P		720 13 07-10	H	
501 67 67-03	C	N	502 21 58-01	N		502 28 37-01	P		725 23 81-51	M	
501 68 89-01	N		502 22 15-01	M	N	502 28 44-01	M		725 53 29-55	G	
501 69 17-01	N		502 22 16-01	M	N	502 28 59-01	N		725 53 32-55	C	
501 76 83-27	M		502 22 19-01	M	N	502 28 60-04	M	N	725 53 33-55	G	
501 86 21-02	C		502 22 32-01	B	N	502 28 62-01	L		725 53 43-55	H	
501 86 25-02	A		502 22 38-01	P	N	502 28 63-01	L		729 22 23-01	K	
502 02 00-02	N		502 22 46-01	B	N	502 51 27-01	O		729 42 81-01	P	
502 02 00-03	N		502 22 46-02	B	N	503 09 83-02	P		729 52 52-75	P	N
502 02 01-01	N		502 22 46-04	B	N	503 10 87-01	E		735 11 46-50	H	
502 02 06-01	N		502 22 59-01	A	N	503 17 63-01	E	N	735 11 64-50	GJ	
502 02 28-01	N		502 22 71-04	A		503 20 02-10	K		735 31 09-20	N	
502 02 29-02	N		502 22 73-01	L	N	503 20 02-16	ADKLM		735 31 17-00	L	
502 02 30-02	N		502 22 77-01	C	N	503 20 02-30	HPL		737 44 10-00	C	
502 02 38-01	N		502 22 79-01	C	N	503 20 02-35	M		738 21 01-00	L	
502 03 10-03	L		502 22 83-01	K	N	503 20 02-85	D		738 21 02-00	L	
502 03 47-01	D		502 22 89-01	M	N	503 20 20-06	G	N	738 22 02-15	F	
502 03 55-03	N		502 22 94-01	H	N	503 20 25-20	HJ		738 22 02-19	GL	
502 03 94-03	N		502 23 00-01	D	N	503 20 28-22	B	N	740 42 22-00	H	
502 03 95-03	N		502 25 29-01	A		503 21 06-16	M	N	740 44 08-00	L	N
502 04 15-05	M		502 25 45-01	E		503 21 06-19	M		740 51 13-01	L	
502 04 25-04	G		502 25 46-01	E		503 21 06-32	M				
502 04 55-01	L		502 25 47-01	E		503 21 07-16	N	N			
502 05 24-04	A		502 25 90-01	J		503 21 07-22	P				
502 05 42-01	J		502 25 97-03	M		503 21 07-25	M				
502 06 28-01	P		502 25 97-04	M		503 21 07-38	P				
502 06 40-01	F		502 26 01-01	H		503 21 27-10	D	N			
502 08 83-02	M		502 26 05-02	H	N	503 22 10-12	M				
502 10 41-01	B		502 26 23-01	N		503 22 21-02	GJ				
502 10 41-02	B		502 26 30-01	K		503 22 65-04	P	N			
502 11 46-02	N		502 26 31-01	G		503 23 00-05	J				
502 11 51-04	M		502 26 34-01	N		503 23 51-08	C				
502 11 59-02	L		502 26 36-02	A		503 23 51-11	C				
502 11 79-04	P		502 26 89-01	L		503 26 02-04	H				
502 14 43-03	P		502 26 95-01	L		503 28 16-19	AE N				
502 14 44-01	P		502 26 98-01	H		503 28 90-10	C				
502 14 47-01	P		502 27 11-02	L		503 28 90-11	C	N			
502 14 50-04	P	N	502 27 12-01	L		503 44 32-01	M				
502 14 51-02	P		502 27 20-01	K		503 44 77-01	D				
502 14 51-03	P		502 27 22-01	N		503 47 73-01	O	N			
502 15 52-03	D	N	502 27 23-01	D		503 49 69-01	A				
502 15 56-01	D		502 27 25-01	L		503 52 01-01	E	N			
502 15 57-02	D	N	502 27 26-01	L		503 54 39-01	K				
502 17 15-01	N		502 27 28-01	L		503 56 21-01	E				
502 17 16-02	A		502 27 32-02	M		503 56 24-01	E	N			
502 17 17-01	A		502 27 33-03	N		503 56 25-01	E				
502 17 19-03	A		502 27 34-01	C		503 56 34-01	E				
502 17 20-03	K		502 27 35-01	C		503 60 09-01	E				
502 17 21-01	K		502 27 45-01	A		503 60 78-01	E				
502 17 25-01	O		502 27 49-01	E		503 61 48-01	E				
502 17 25-02	O		502 27 63-01	M		503 62 52-01	E				
502 17 28-02	K		502 27 64-01	M		503 73 45-01	M				

531 00 45-21
Set of gaskets
Dichtungssatz
Jeu de joints
Juego de juntas
Packningssats

N = New part
Neues teil
Nouvelle piece
Nueva pieza
Ny detalj