

IPL, 323 C, 323 L, 323 LD, 323 R, 323 RJ, 325 Cx, 325 Lx, 325 LDx,
325 Rx, 325 RDx, 325 RJx, 2005-05, 544 09 71-01

323C,L,LD,R,RJ

325Cx

325Lx,LDx

325Rx,RDx,RJx

Spare parts

Ersatzteile

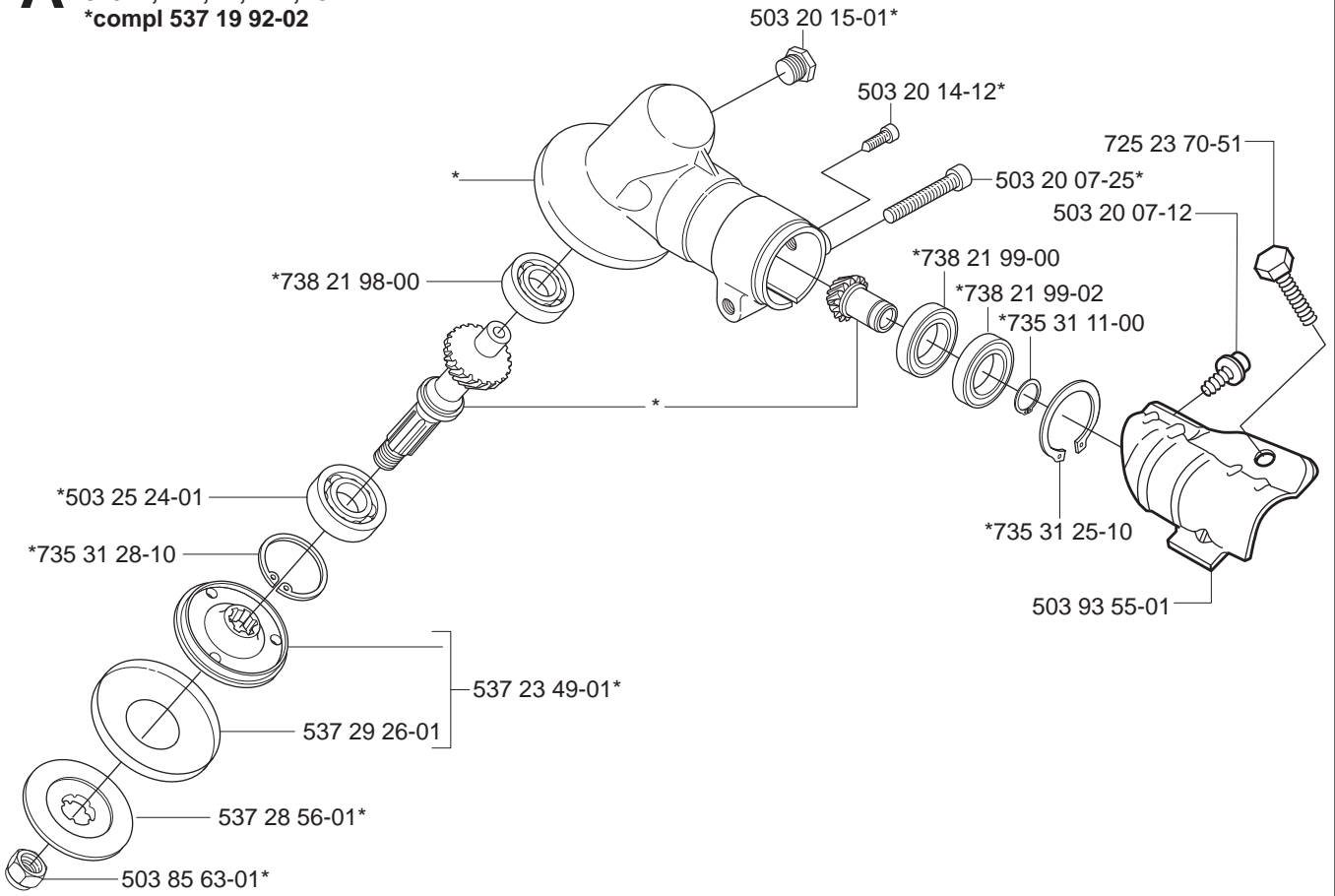
Pièces détachées

Reserve onderdelen

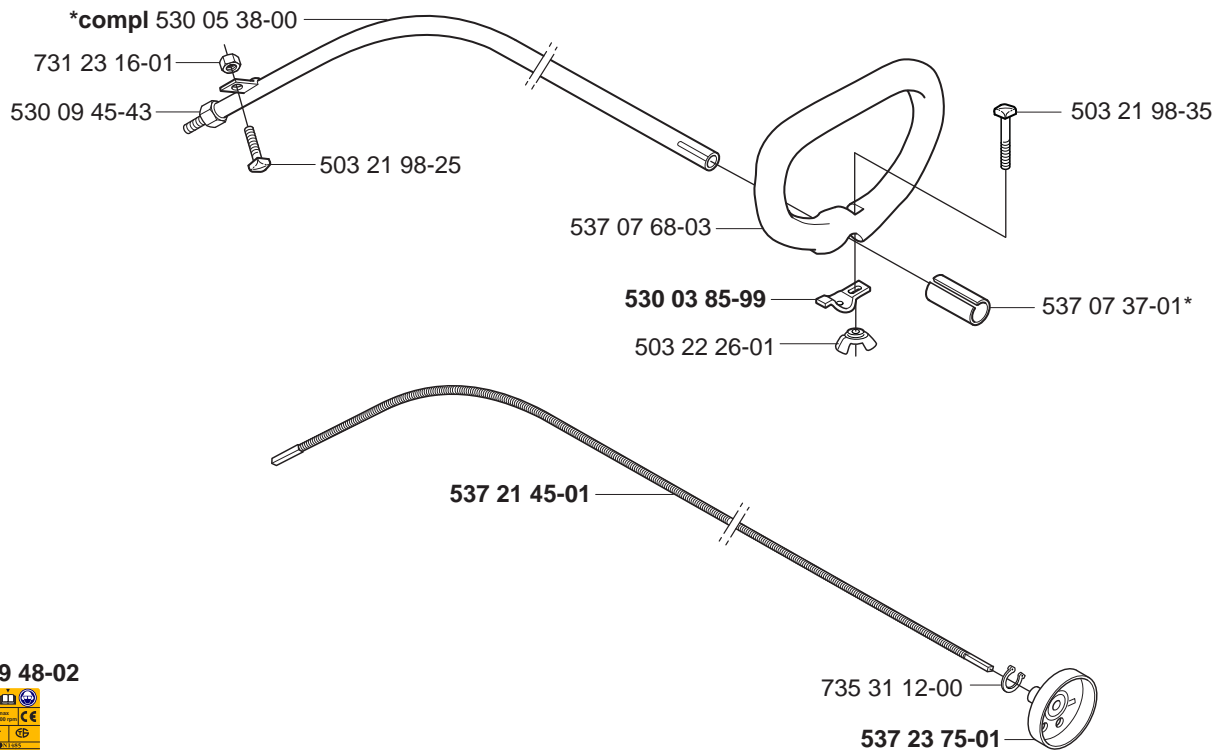
Repuestos

Reservdelar

A 323L,LD,R,RJ
 325Lx,LDx,Rx,RDx,RJx
 *compl 537 19 92-02



B 323C



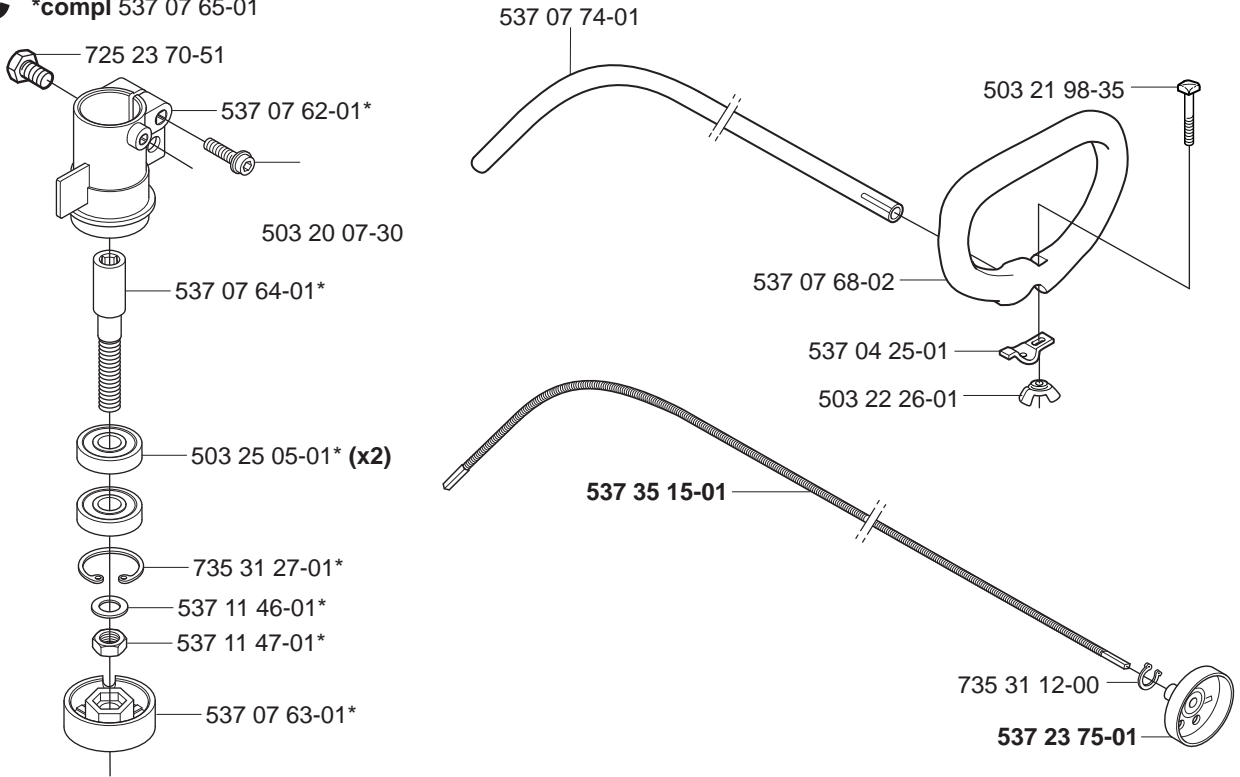
537 29 48-02



503 79 56-01



C 325Cx
*compl 537 07 65-01



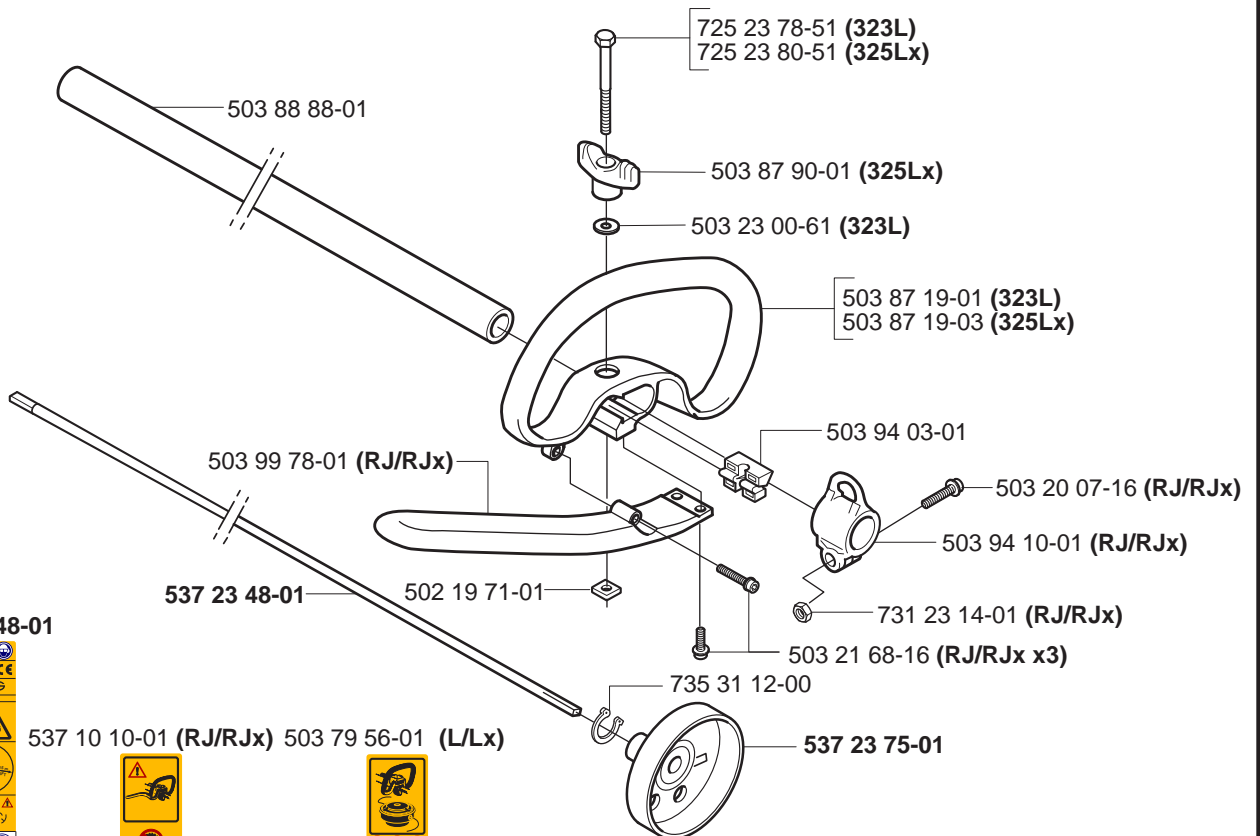
537 29 48-02



503 79 56-01



D 323L
325Lx
323RJ
325RJx



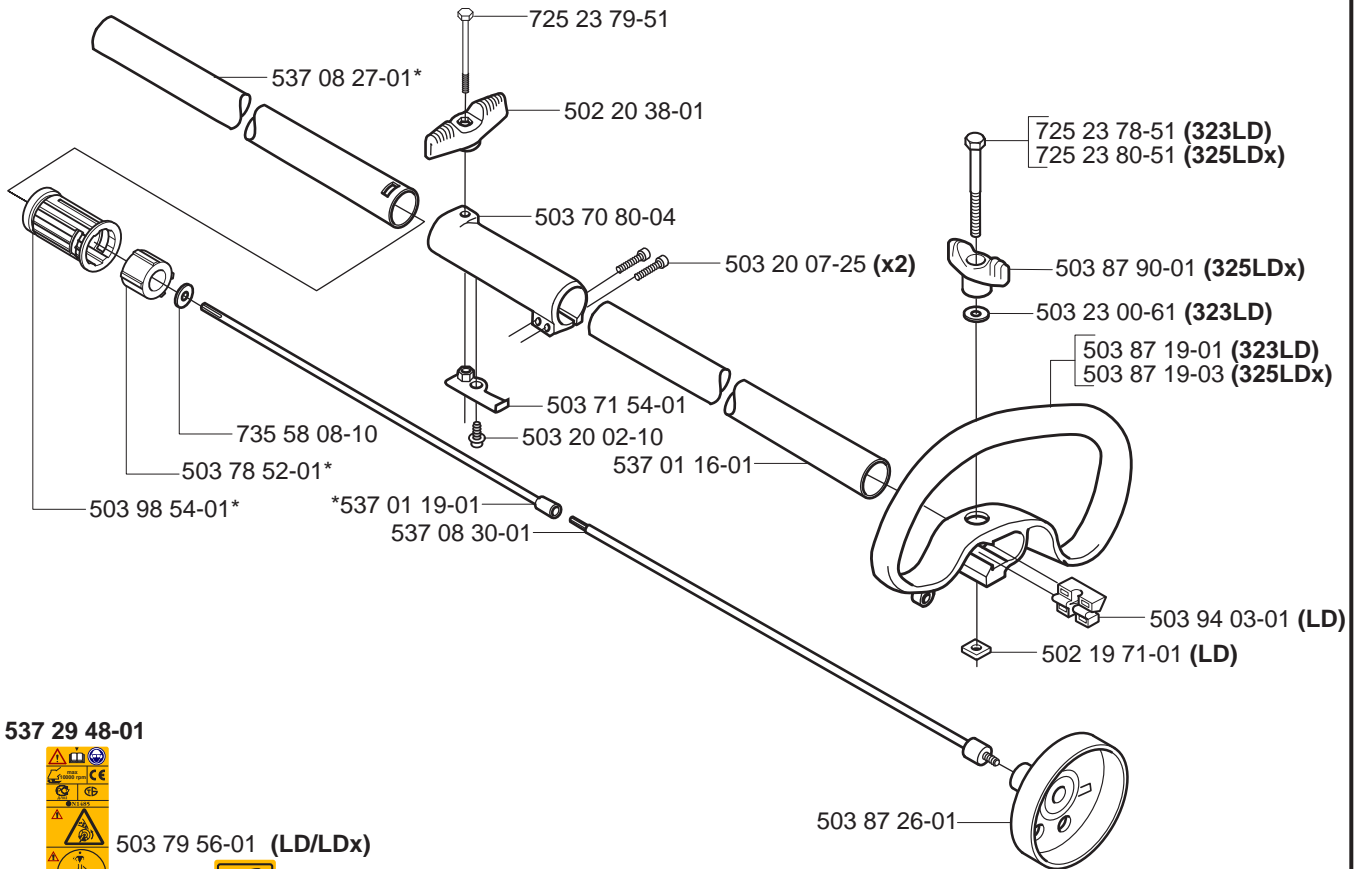
537 29 48-01



E

323LD
325LDx
325RDx

*compl 537 07 99-01



537 29 48-01

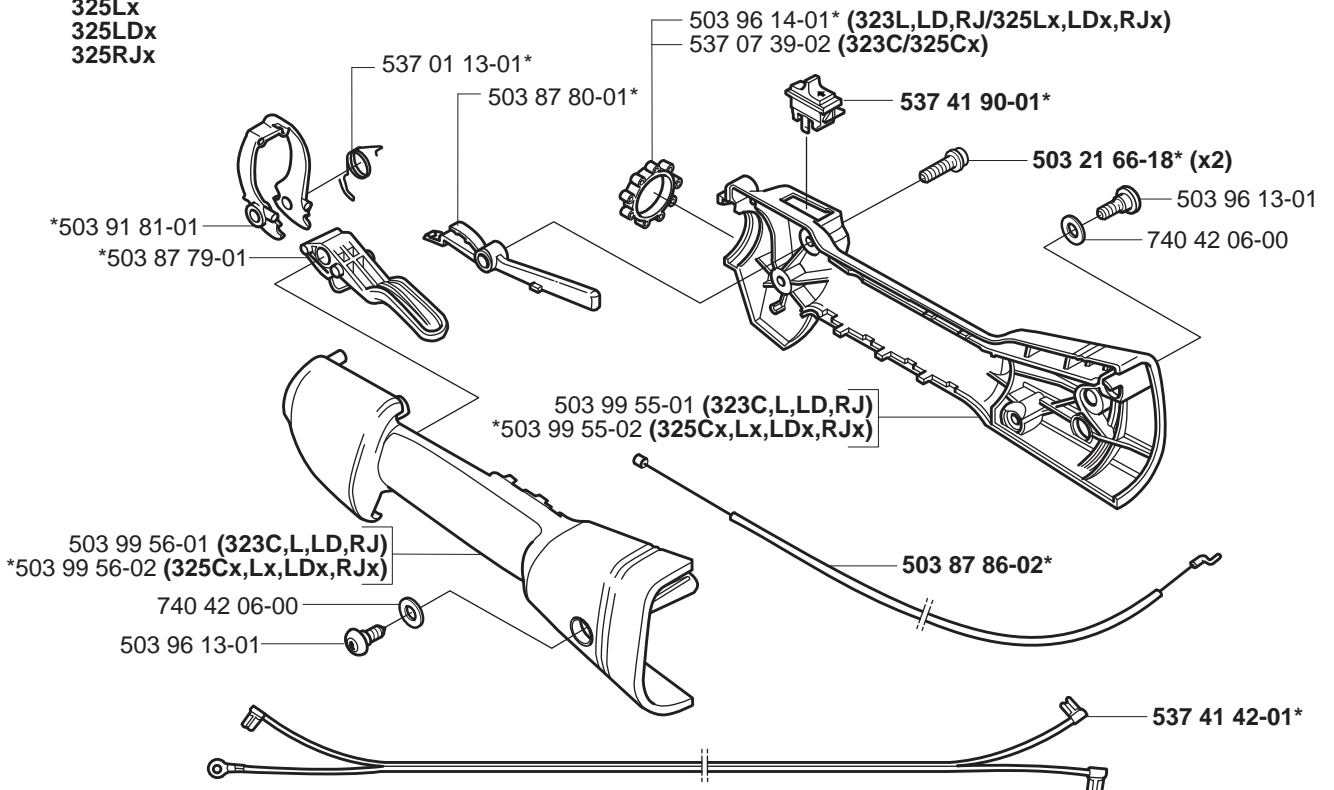


503 79 56-01 (LD/LDx)

**F**

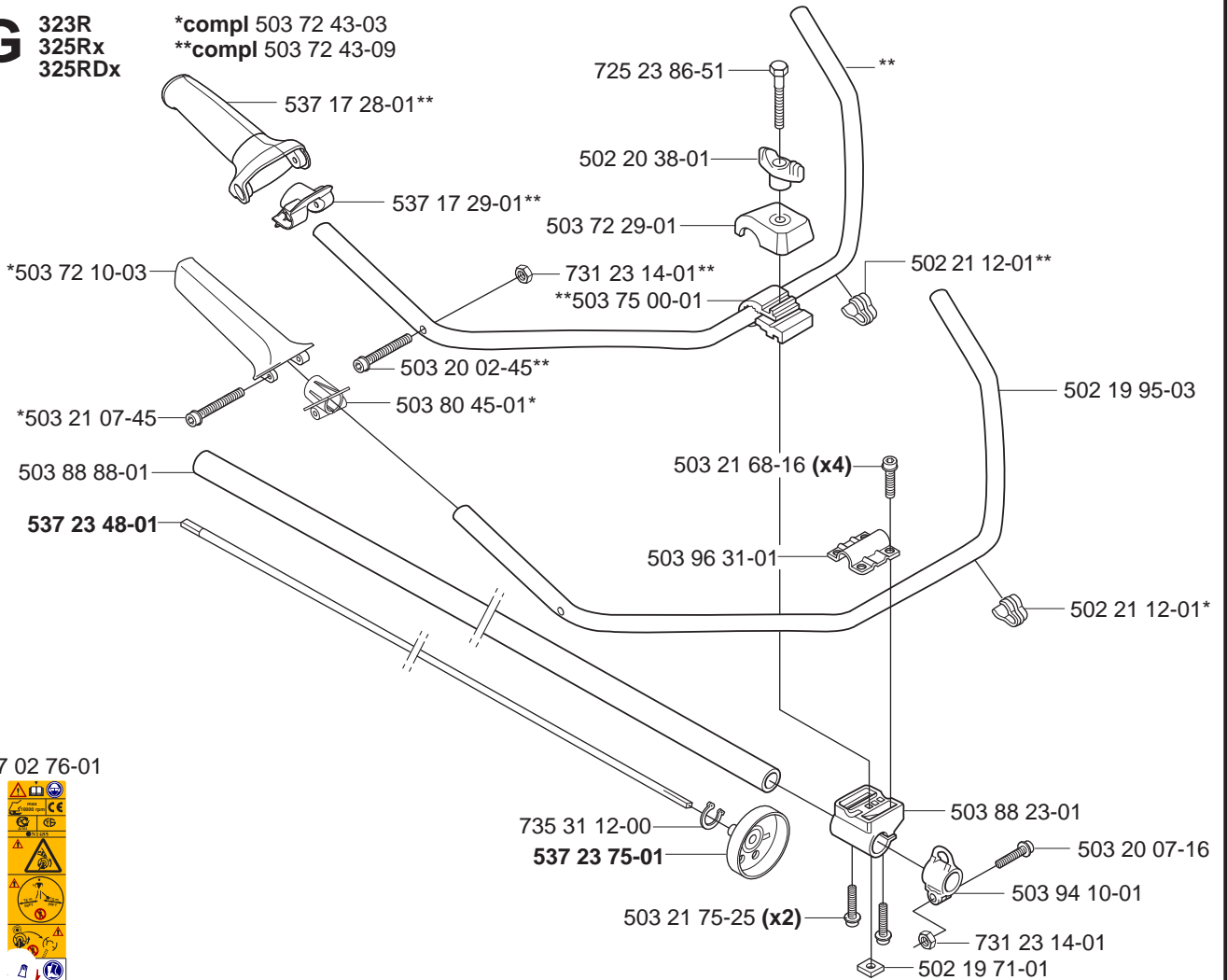
323C
323L
323LD
323RJ
325Cx
325Lx
325LDx
325RJx

*compl 537 44 38-02

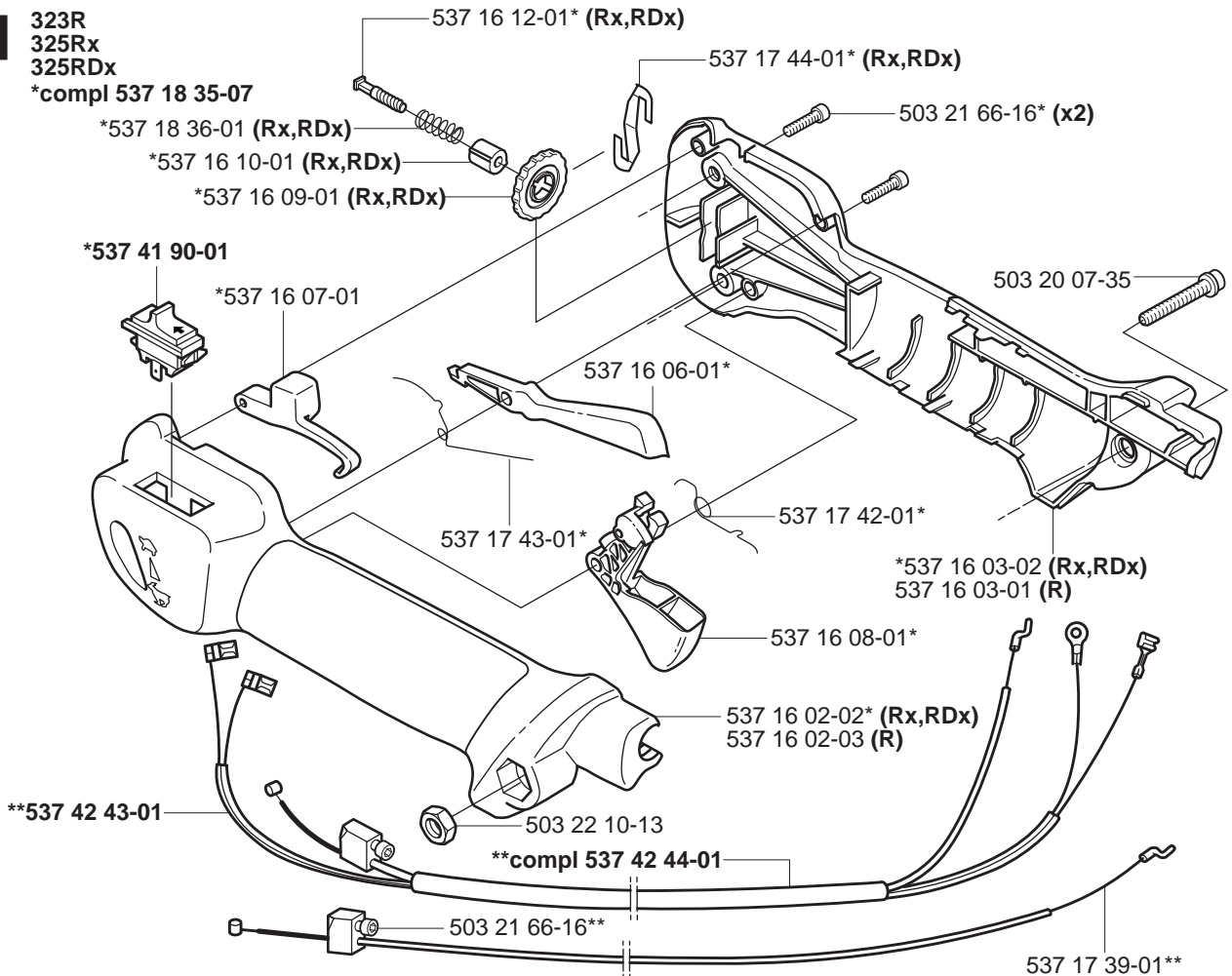


G323R
325Rx
325RDx*compl 503 72 43-03
**compl 503 72 43-09

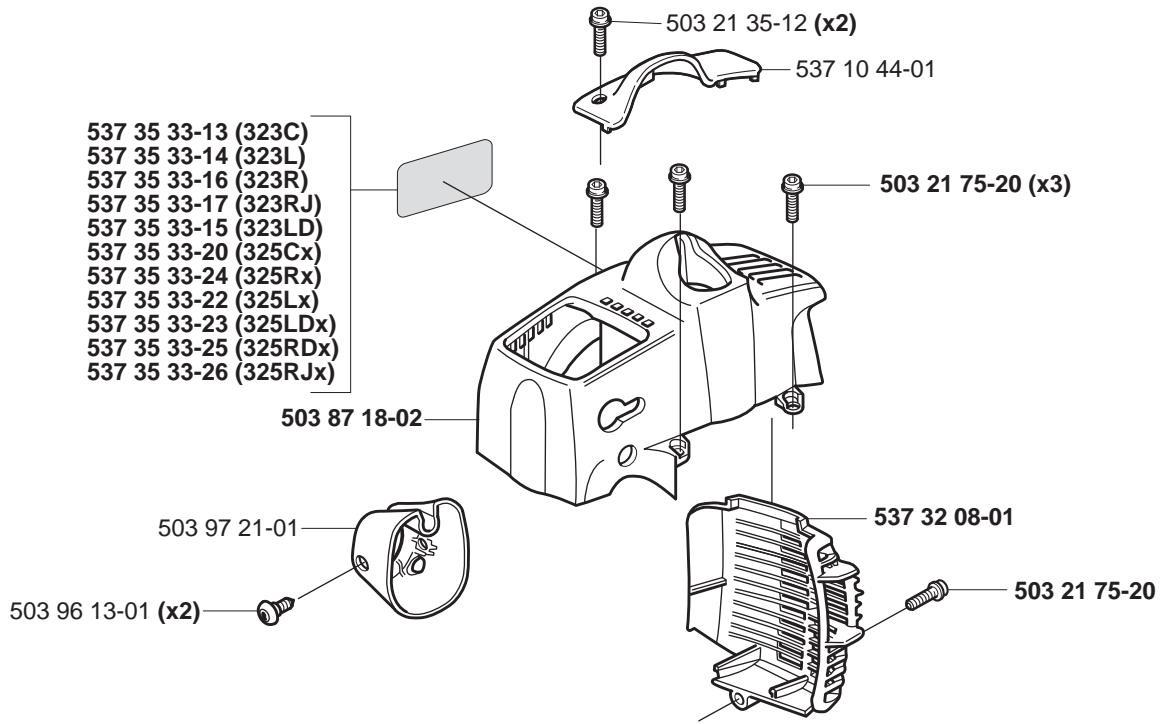
537 02 76-01

**H**323R
325Rx
325RDx

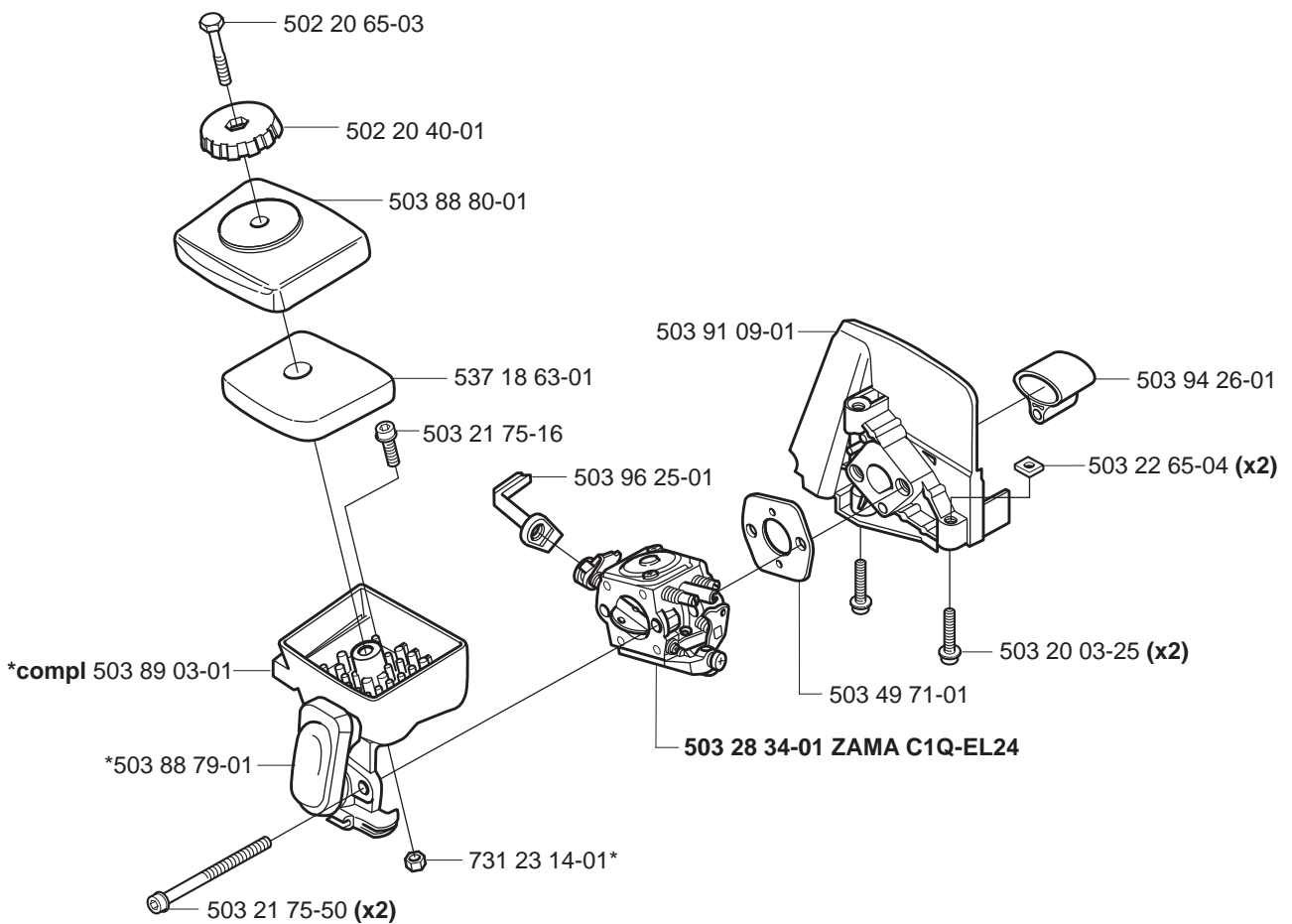
*compl 537 18 35-07

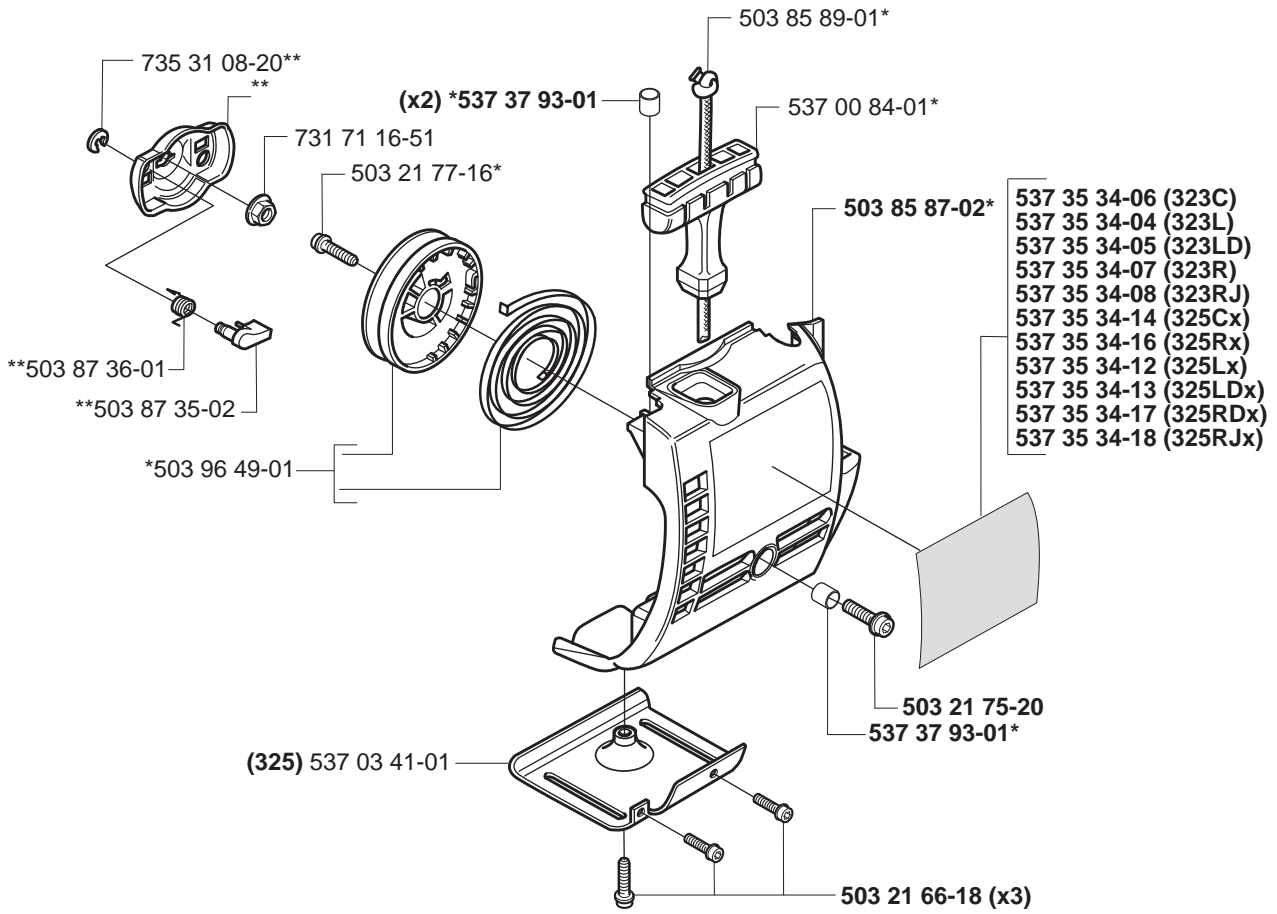
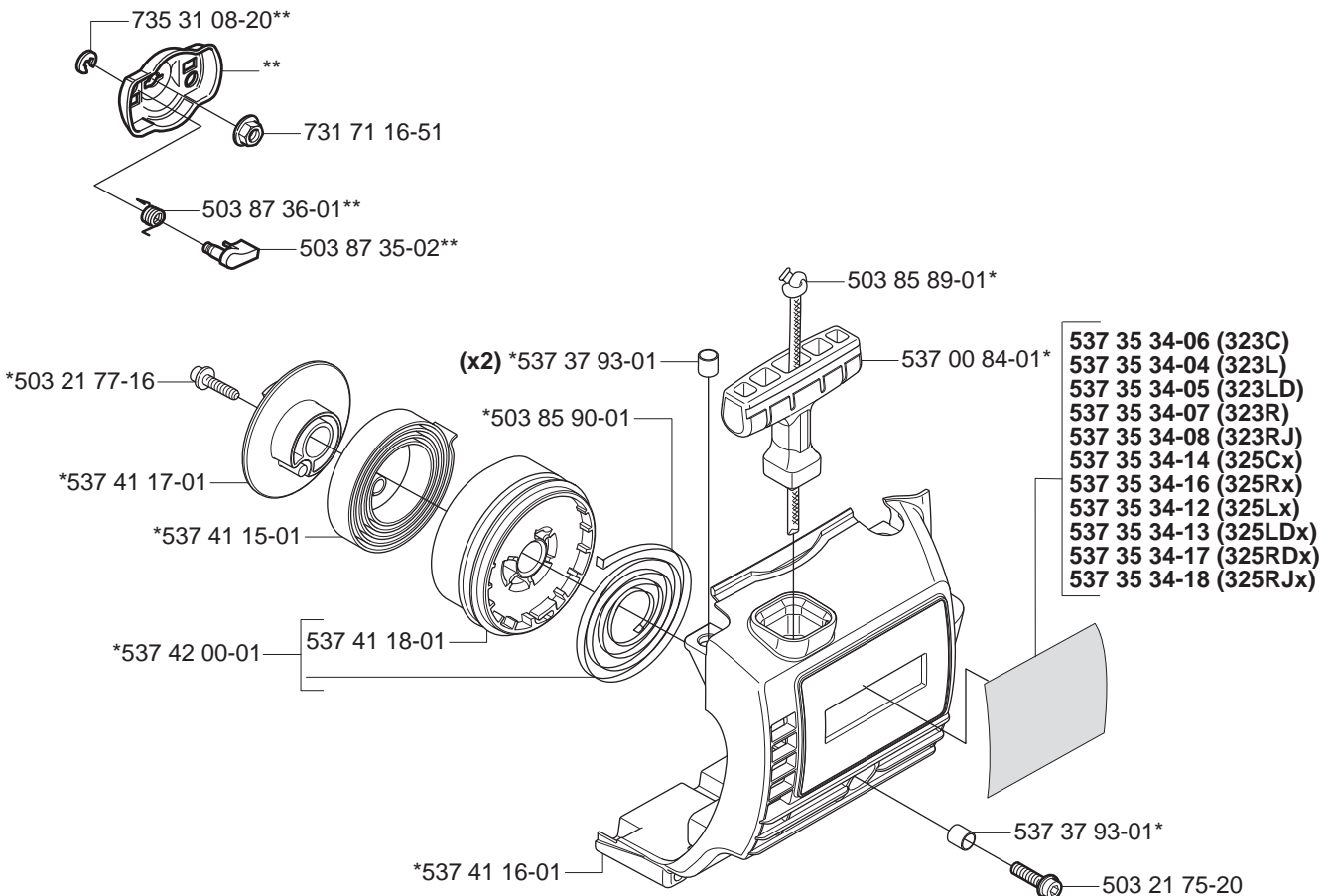


J



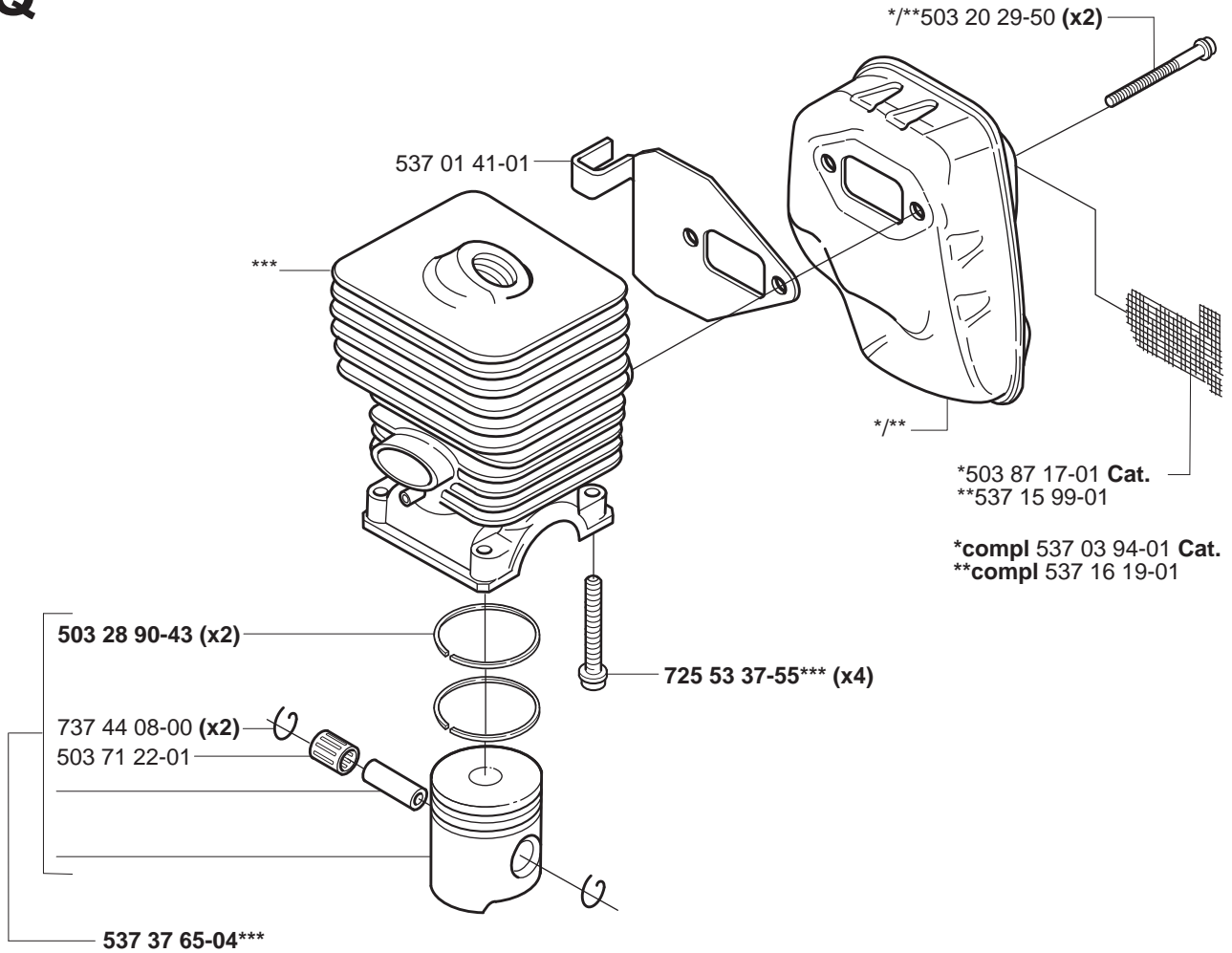
K



L****compl 503 87 33-02*****compl 503 85 28-04****M*****compl 537 41 21-01******compl 503 87 33-02**

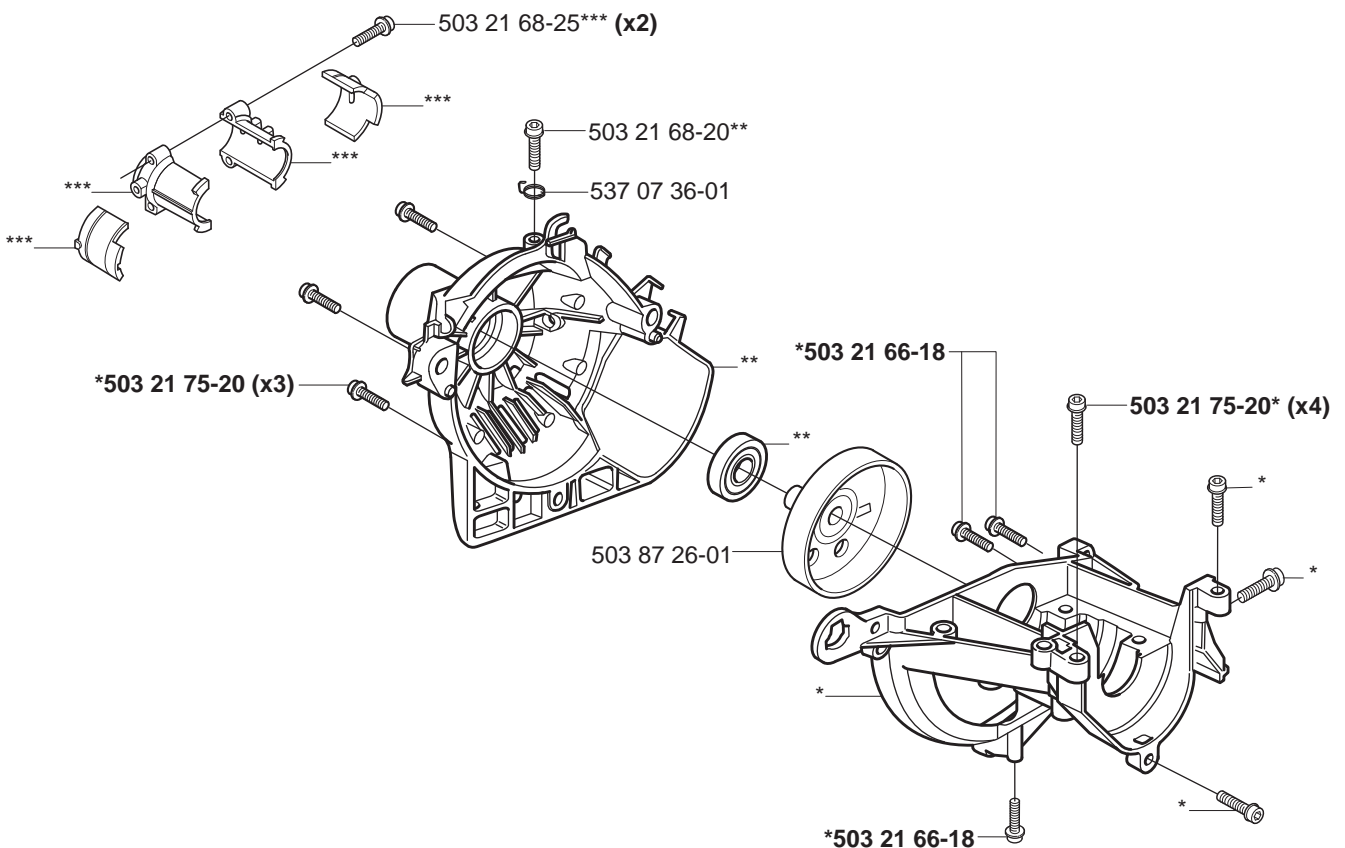
Q

***compl 537 03 20-08



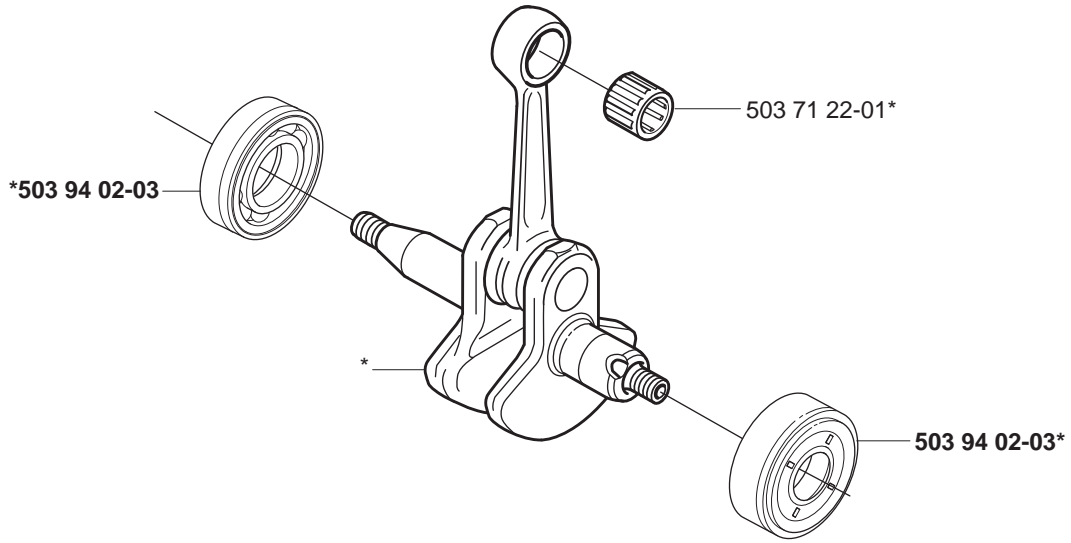
R

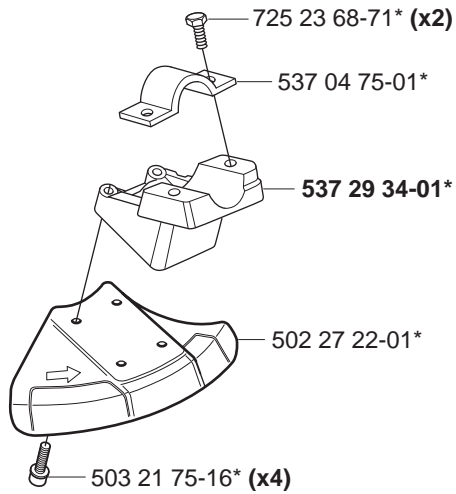
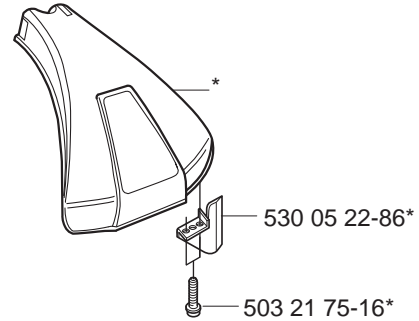
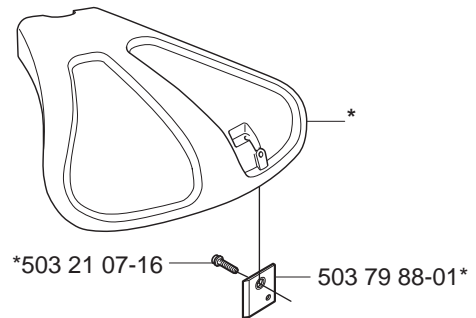
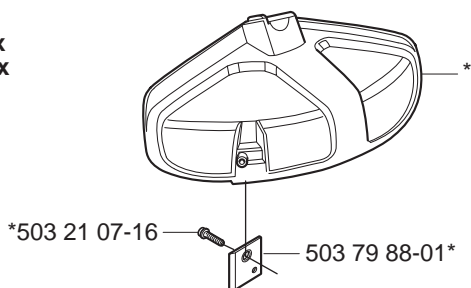
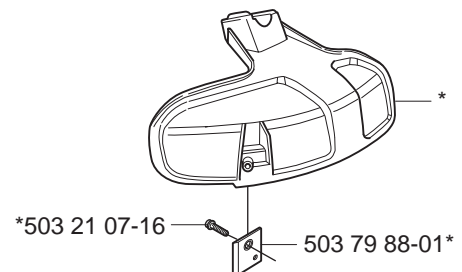
*compl 537 04 11-02
**compl 537 04 12-03
***compl 537 30 96-01



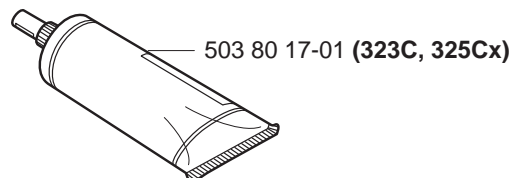
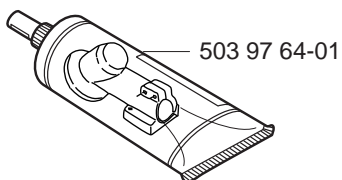
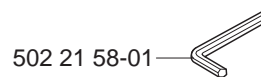
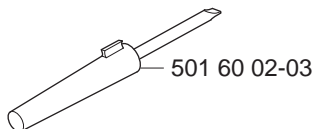
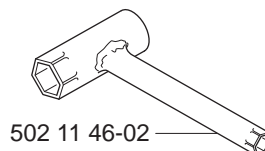
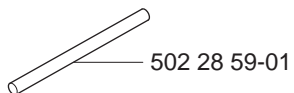
S

*compl 503 85 24-75

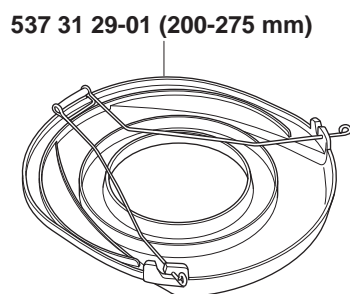
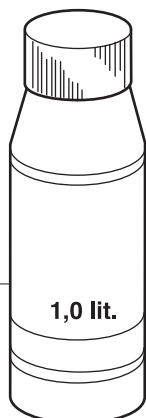

T Accessories
 Zubehöre
 Accessoires
 Accesorios
 Tillbehör

 *compl 537 29 95-01
 323R
 325Rx
 325RDx

 *compl 537 18 96-01
 323C

 *compl 537 07 67-01
 325Cx

 *compl 503 93 42-02
 323R
 323RJ
 325Rx
 325RJx
 325RDx

 *compl 503 97 71-01
 323L
 323LD
 325Lx
 325LDx


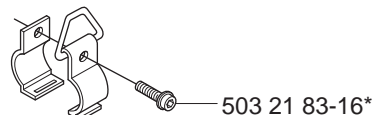
T Accessories
 Zubehöre
 Accessoires
 Acessorios
 Tillbehör



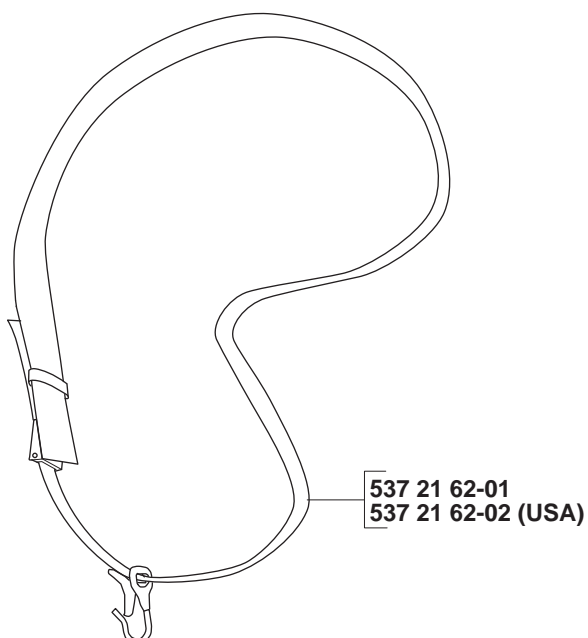
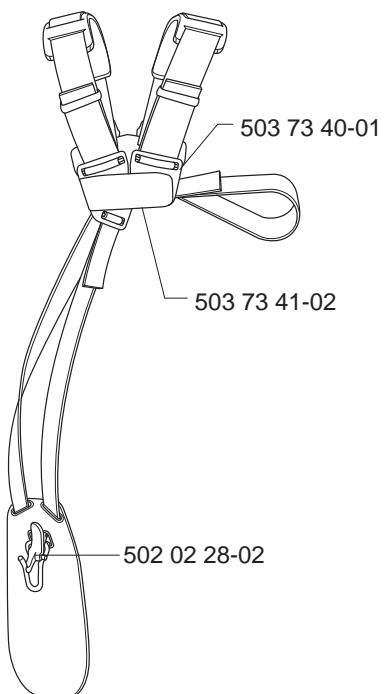
Olja Luftfilter
 Oil Airfilter
 Öl Luftfilter
 Aceite Filtro Air
 Huile Filtraire



*compl 501 78 33-01



compl 537 21 63-01
 compl 537 21 63-02 (USA)

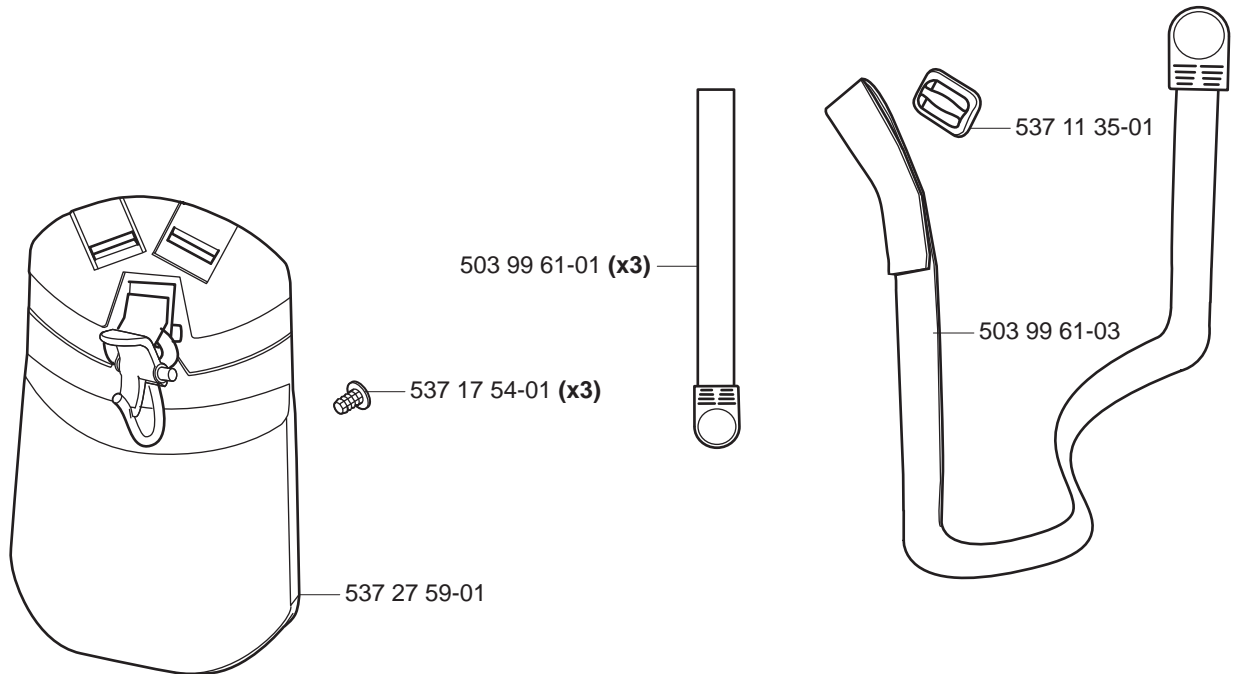
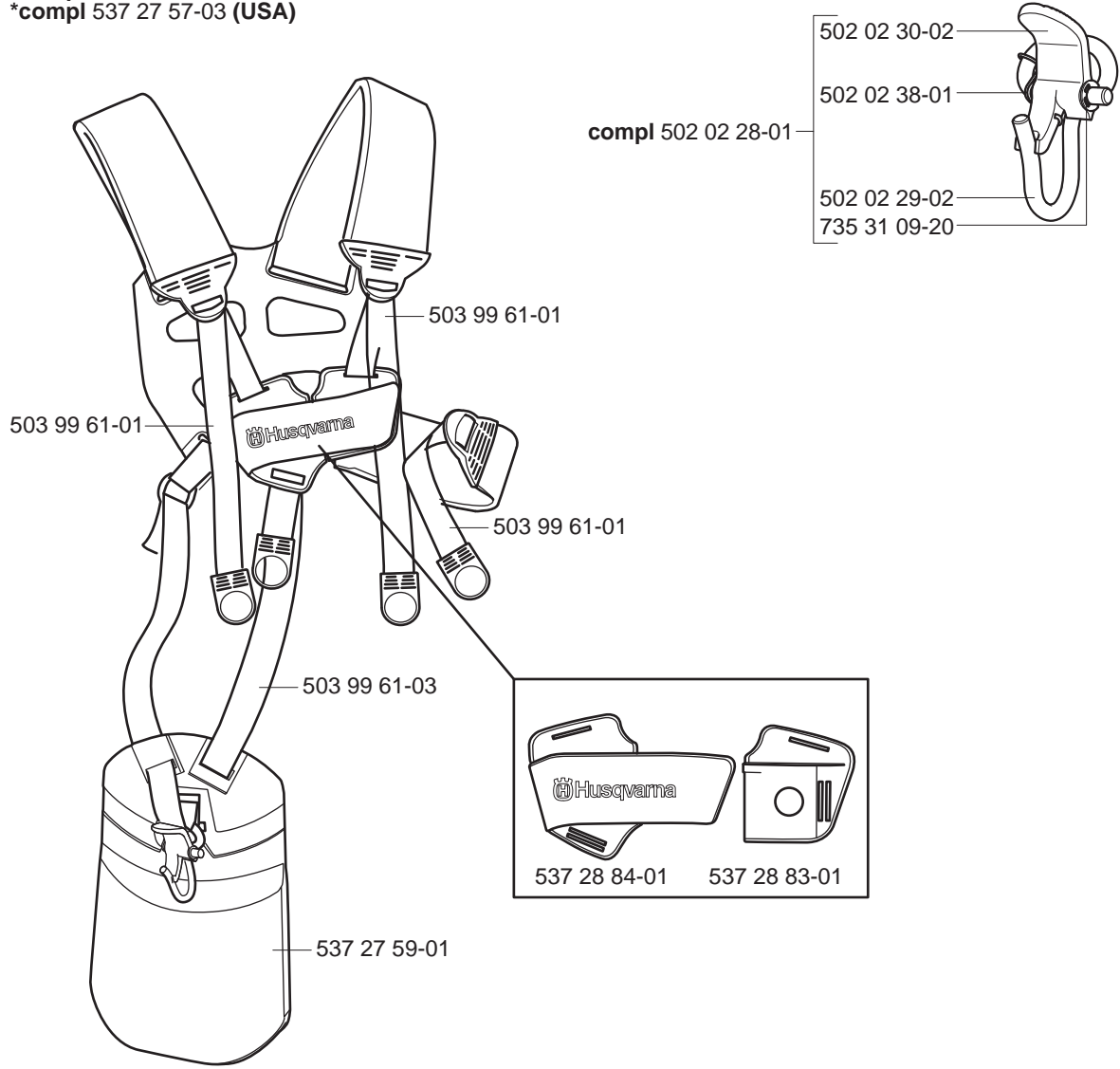


T

Duo Balance

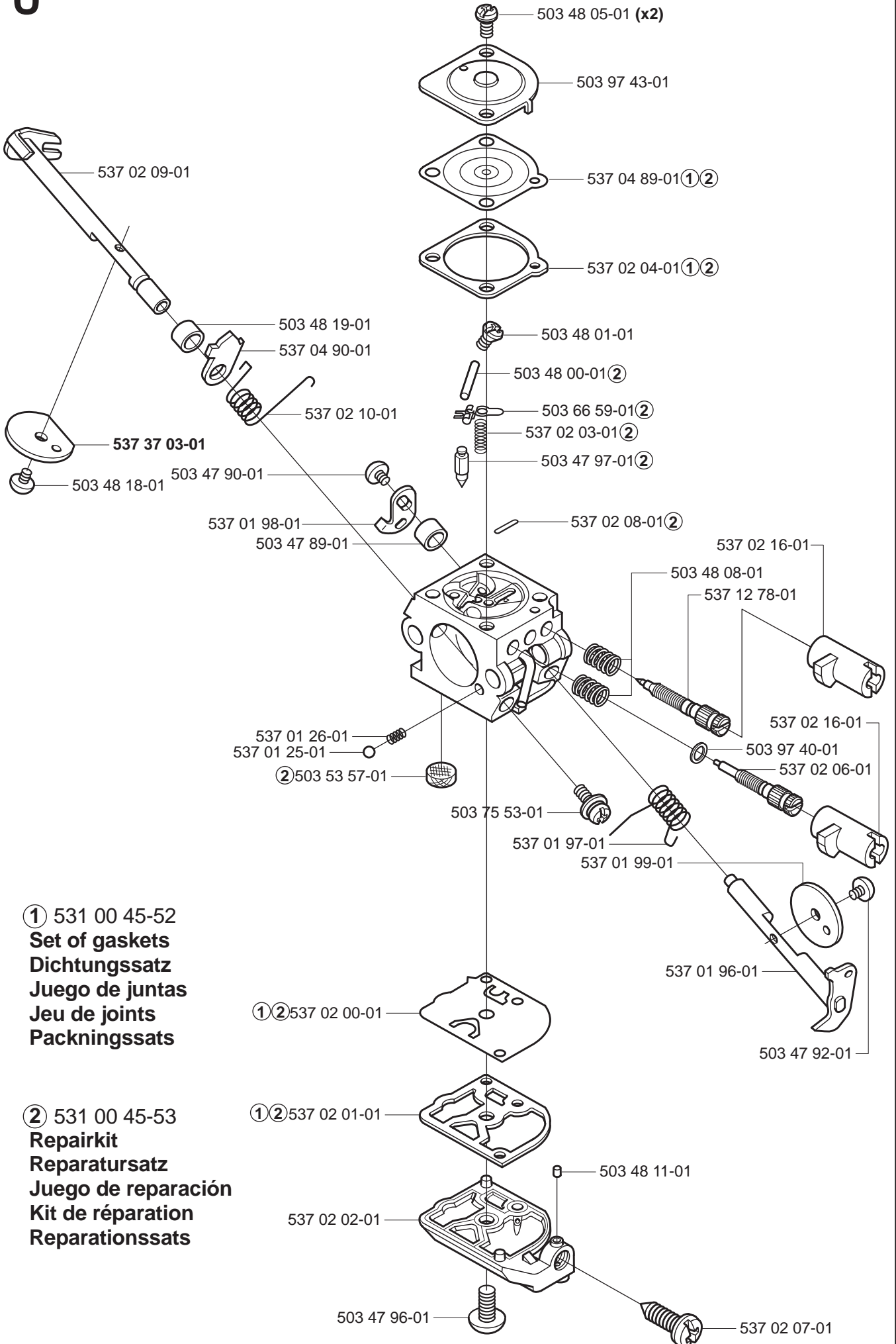
*compl 537 27 57-01

*compl 537 27 57-03 (USA)



U

*compl 503 28 34-01 ZAMA C1Q-EL24

ZAMA C1Q-EL24

PART NUMBER	SQUARE	NOTE	PART NUMBER	SQUARE	NOTE	PART NUMBER	SQUARE	NOTE	PART NUMBER	SQUARE	NOTE
501 60 02-03	T		503 57 76-01	N	N	503 99 56-01	F		537 16 02-02	H	
501 78 33-01	T		503 66 59-01	U		503 99 56-02	F		537 16 02-03	H	
502 02 28-01	T		503 70 80-04	E		503 99 61-01	T		537 16 03-01	H	
502 02 28-02	T		503 71 22-01	SQ		503 99 61-03	T		537 16 03-02	H	
502 02 29-02	T		503 71 54-01	E		503 99 78-01	D		537 16 06-01	H	
502 02 30-02	T		503 72 10-03	G		530 03 85-99	B		537 16 07-01	H	
502 02 38-01	T		503 72 29-01	G		530 05 22-86	T		537 16 08-01	H	
502 11 46-02	T		503 72 43-03	G		530 05 38-00	B		537 16 09-01	H	
502 19 71-01	DGE		503 72 43-09	G		530 09 45-43	B		537 16 10-01	H	
502 19 95-03	G		503 73 40-01	T		531 00 45-52	U		537 16 12-01	H	
502 20 38-01	EG		503 73 41-02	T		531 00 92-48	T	N	537 16 19-01	Q	
502 20 40-01	K		503 73 58-01	N		537 00 84-01	LM		537 17 28-01	G	
502 20 65-03	K		503 75 00-01	G		537 01 13-01	F		537 17 29-01	G	
502 21 12-01	G		503 75 53-01	U		537 01 16-01	E		537 17 39-01	H	
502 21 58-01	T		503 78 52-01	E		537 01 19-01	E		537 17 42-01	H	
502 27 22-01	T		503 79 56-01	B		537 01 25-01	U		537 17 43-01	H	
502 28 59-01	T		503 79 56-01	CDE		537 01 26-01	U		537 17 44-01	H	
503 20 02-10	E		503 79 88-01	T		537 01 41-01	Q		537 17 54-01	T	
503 20 02-45	G		503 80 17-01	T		537 01 96-01	U		537 18 35-07	H	N
503 20 03-25	K		503 80 45-01	G		537 01 97-01	U		537 18 36-01	H	
503 20 07-12	A		503 81 60-01	P		537 01 98-01	U		537 18 49-01	N	
503 20 07-16	DG		503 84 28-01	P		537 01 99-01	U		537 18 63-01	K	
503 20 07-25	AE		503 84 29-02	P	N	537 02 00-01	U		537 18 96-01	T	N
503 20 07-30	C		503 85 24-75	S		537 02 01-01	U		537 19 92-02	A	
503 20 07-35	H		503 85 28-04	L	N	537 02 02-01	U		537 21 45-01	B	N
503 20 14-12	A		503 85 63-01	A		537 02 03-01	U		537 21 62-01	T	N
503 20 15-01	A		503 85 87-02	L	N	537 02 04-01	U		537 21 62-02	T	N
503 20 29-50	Q		503 85 89-01	LM		537 02 06-01	U		537 21 63-01	T	N
503 21 07-16	T		503 85 90-01	M	N	537 02 07-01	U		537 21 63-02	T	N
503 21 07-45	G		503 87 17-01	Q		537 02 08-01	U		537 23 48-01	DG	N
503 21 35-12	J		503 87 18-02	J	N	537 02 09-01	U		537 23 49-01	A	
503 21 66-16	H		503 87 19-01	DE		537 02 10-01	U		537 23 75-01	BCDG	N
503 21 66-18	FLR		503 87 19-03	DE		537 02 16-01	U		537 23 96-01	P	N
503 21 68-16	DG		503 87 26-01	ER		537 02 76-01	G		537 24 96-02	P	N
503 21 68-20	R		503 87 33-02	LM		537 03 20-08	Q	N	537 27 57-01	T	
503 21 68-25	R		503 87 35-02	LM		537 03 22-01	P		537 27 57-03	T	
503 21 71-16	P		503 87 36-01	LM		537 03 41-01	L		537 27 59-01	T	
503 21 75-16	KT		503 87 79-01	F		537 03 94-01	Q		537 28 56-01	A	
503 21 75-20	JLMR		503 87 80-01	F		537 04 11-02	R	N	537 28 83-01	T	
503 21 75-25	G		503 87 86-02	F	N	537 04 12-03	R		537 28 84-01	T	
503 21 75-50	K		503 87 90-01	DE		537 04 24-01	N		537 29 26-01	A	
503 21 77-16	LM		503 88 23-01	G		537 04 25-01	C		537 29 34-01	T	N
503 21 83-16	T		503 88 79-01	K		537 04 58-01	P		537 29 48-01	DE	N
503 21 98-25	B		503 88 80-01	K		537 04 67-01	P		537 29 48-02	BC	N
503 21 98-35	BC		503 88 88-01	DG		537 04 68-01	T		537 29 95-01	T	N
503 22 10-13	H		503 89 03-01	K		537 04 75-01	P		537 30 96-01	R	N
503 22 26-01	BC		503 91 09-01	K		537 04 89-01	U		537 31 29-01	T	N
503 22 65-04	K		503 91 10-01	N		537 04 90-01	U		537 32 08-01	J	N
503 23 00-61	DE		503 91 18-02	N		537 06 86-02	N	N	537 35 15-01	C	N
503 23 51-08	P		503 91 81-01	F		537 07 36-01	R		537 35 33-13	J	N
503 23 51-11	P		503 93 42-02	T		537 07 37-01	B		537 35 33-14	J	N
503 25 05-01	C		503 93 55-01	A		537 07 39-02	F		537 35 33-15	J	N
503 25 24-01	A		503 93 66-01	N		537 07 62-01	C		537 35 33-16	J	N
503 28 34-01	KU	N	503 94 02-03	S	N	537 07 63-01	C		537 35 33-17	J	N
503 28 90-43	Q	N	503 94 03-01	DE		537 07 64-01	C		537 35 33-20	J	N
503 44 32-01	N		503 94 10-01	DG		537 07 65-01	C		537 35 33-22	J	N
503 47 89-01	U		503 94 26-01	K		537 07 67-01	T		537 35 33-23	J	N
503 47 90-01	U		503 96 13-01	FJ		537 07 68-02	C		537 35 33-24	J	N
503 47 92-01	U		503 96 14-01	F		537 07 68-03	B		537 35 33-25	J	N
503 47 96-01	U		503 96 25-01	K		537 07 74-01	C		537 35 33-26	J	N
503 47 97-01	U		503 96 31-01	G		537 07 99-01	E	N	537 35 34-04	LM	N
503 48 00-01	U		503 96 49-01	L		537 08 27-01	E		537 35 34-05	LM	N
503 48 01-01	U		503 97 21-01	J		537 08 30-01	E		537 35 34-06	LM	N
503 48 05-01	U		503 97 40-01	U		537 10 10-01	D		537 35 34-07	LM	N
503 48 08-01	U		503 97 43-01	U		537 10 44-01	J		537 35 34-08	LM	N
503 48 11-01	U		503 97 64-01	T		537 11 35-01	T		537 35 34-12	LM	N
503 48 18-01	U		503 97 71-01	T		537 11 46-01	C		537 35 34-13	LM	N
503 48 19-01	U		503 98 54-01	E		537 11 47-01	C		537 35 34-14	LM	N
503 49 71-01	K		503 99 55-01	F		537 12 78-01	U		537 35 34-16	LM	N
503 53 57-01	U		503 99 55-02	F		537 15 99-01	Q		537 35 34-17	LM	N

Set of gaskets, Dichtungssatz,
Jeu de joints, Juego de juntas,
Packingssatz

N = New part, Neues teil,
Nouvelle piece, Nueva pieza
Ny detalj

PART NUMBER	SQUARE	NOTE	PART NUMBER	SQUARE	NOTE	PART NUMBER	SQUARE	NOTE	PART NUMBER	SQUARE	NOTE
537 35 34-17	LM	N									
537 35 34-18	LM	N									
537 37 03-01	U	N									
537 37 65-04	Q	N									
537 37 93-01	LM	N									
537 41 15-01	M	N									
537 41 16-01	M	N									
537 41 17-01	M	N									
537 41 18-01	M	N									
537 41 21-01	M										
537 41 42-01	F	N									
537 41 87-01	P	N									
537 41 90-01	FH	N									
537 42 00-01	M	N									
537 42 43-01	H	N									
537 42 44-01	H	N									
537 44 38-02	F	N									
725 23 68-71	T										
725 23 70-51	AC										
725 23 78-51	DE										
725 23 79-51	E										
725 23 80-51	DE										
725 23 86-51	G										
725 53 37-55	Q										
731 23 14-01	DGK										
731 23 16-01	B										
731 71 16-51	LMP										
735 31 08-20	LM										
735 31 09-20	T										
735 31 11-00	A										
735 31 12-00	BC										
735 31 25-10	A										
735 31 27-01	C										
735 31 28-10	A										
735 58 08-10	E										
737 44 08-00	Q										
738 21 98-00	A										
738 21 99-00	A										
738 21 99-02	A										
740 42 06-00	F										

Set of gaskets, Dichtungssatz,
 Jeu de joints, Juego de juntas,
 Packningssats

N = New part, Neues teil,
 Nouvelle piece, Nueva pieza
 Ny detalj